

BROKIS®

# WHISTLE

CM12310

PC952, PC953



### COMPONENTS INCLUDED WITH UNIT:

- 1× glass shade with light source
- 1× power cable with connector
- 1× metal ceiling canopy with bracket
- 2× plastic cable stops
- 2× hex screws M4×12
- 1× hex key 2
- 1× hex key 1.5
- 3× terminal connectors
- 1× cotton gloves
- 1× installation manual

### WARNING:

**Installation must be carried out by a qualified electrician only.**

**Switch off power at main circuit panel prior to installation!**

**The manufacturer assumes no liability for damage occurring in transport or resulting from incorrect installation.**

**Installation time: 20 minutes / 1 person**



BROKIS®

BROKIS S.R.O.  
ŠPANILOVA 1315/25  
163 00 PRAHA 6 - ŘEPY  
CZECH REPUBLIC

ORG. ID 64940799  
VAT ID CZ64940799  
C 42174 MĚSTSKÝ SOUD  
V PRAZE

TEL +420 567 211 517  
TECHNICAL@BROKIS.CZ  
INFO@BROKIS.CZ  
WWW.BROKIS.CZ



### CLEANING THE GLASS

**BROKIS applies the highest possible quality standards in manufacturing its lights. Prior to shipping, each light undergoes several quality controls and stages of cleaning. Lights may require additional cleaning as a result of transportation, storage, and the amount of time that passes between packing in our plant and subsequent unpacking by the client. Therefore, we emphasize cleaning the lights prior to installation.**

**The glass must first be rinsed in hot water, with a dilution of a dish-detergent used to remove all foreign particles and dust. Eventually repeat this basic treatment, if necessary. Afterwards the glass must have a second cleaning using hot water, with a dilution of a de-greaser (such as ammonia or vinegar). The glass must then be thoroughly rinsed with running hot water. Eventually repeat this treatment, if necessary. The glass is then thoroughly dried with a paper towel or a clean soft cotton towel. Only re-assemble the glass to the lamp body, when completely cooled down.**

**Do not use mineral spirits, highly concentrated thinners, or other substances not intended for use on glass surfaces. Also: do not use products, containing silicones – since they will rapidly attract more dust and grease.**

### REPLACING THE LIGHT SOURCE

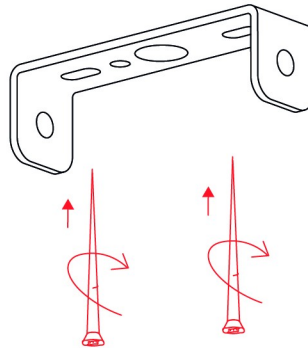
**Release the light source (GX 53 bulb) from the fixture by rotating it counterclockwise. Replace with a new one and rotate in the opposite direction to secure it in the fixture.**

**PRIOR TO SHIPPING, THE FUNCTIONALITY OF EACH LIGHT AND ITS COMPONENTS IS THOROUGHLY TESTED. THE MANUFACTURER ASSUMES NO LIABILITY FOR THE MISHANDLING OF PRODUCTS.**



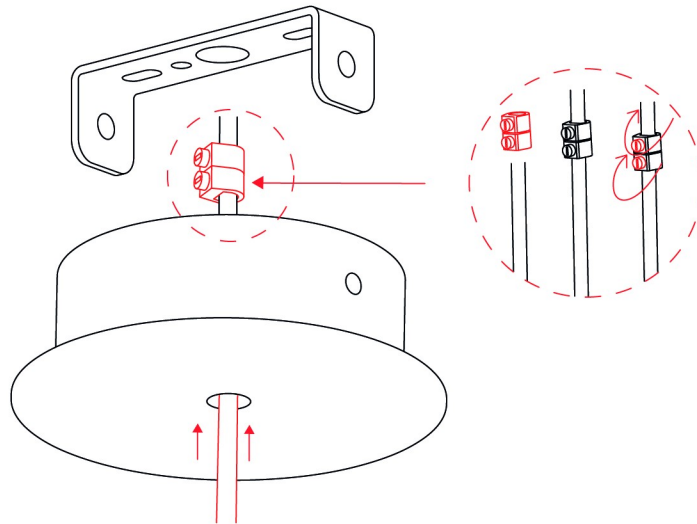
## 1. INSTALLING THE CEILING BRACKET

Use anchors of sufficient strength only (not included with unit) and secure the bracket to the ceiling. With regard for various types of ceilings, we recommend consulting installation with an expert. The manufacturer assumes no liability for incorrect installation or defects in the material to which the bracket is secured.



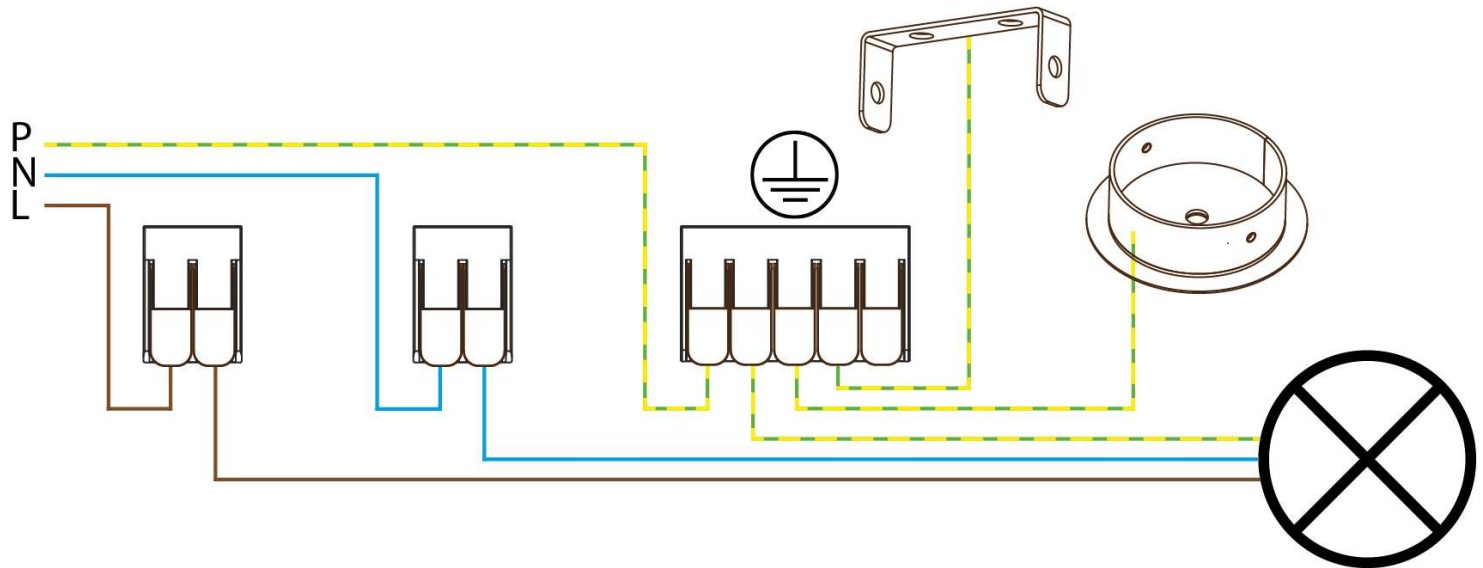
## 2. INSTALLING THE POWER CABLE

Pass the power cable through the grommet in the ceiling canopy, adjust the length, and then secure with two plastic cable stops.



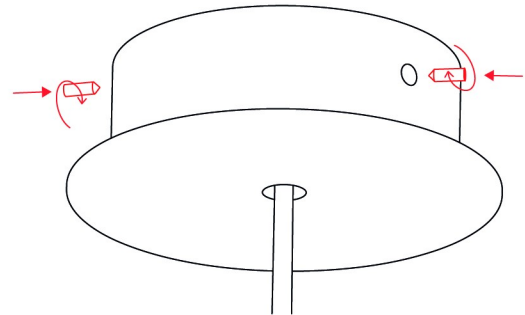
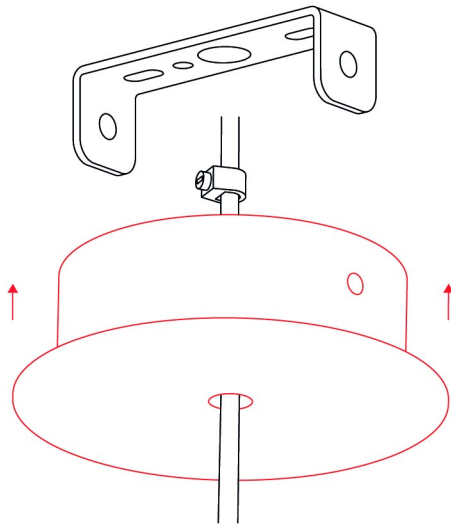
### 3. CONNECTING THE LIGHT TO THE BUILDING WIRING

Connect the light to the building wiring according to the connection diagram.



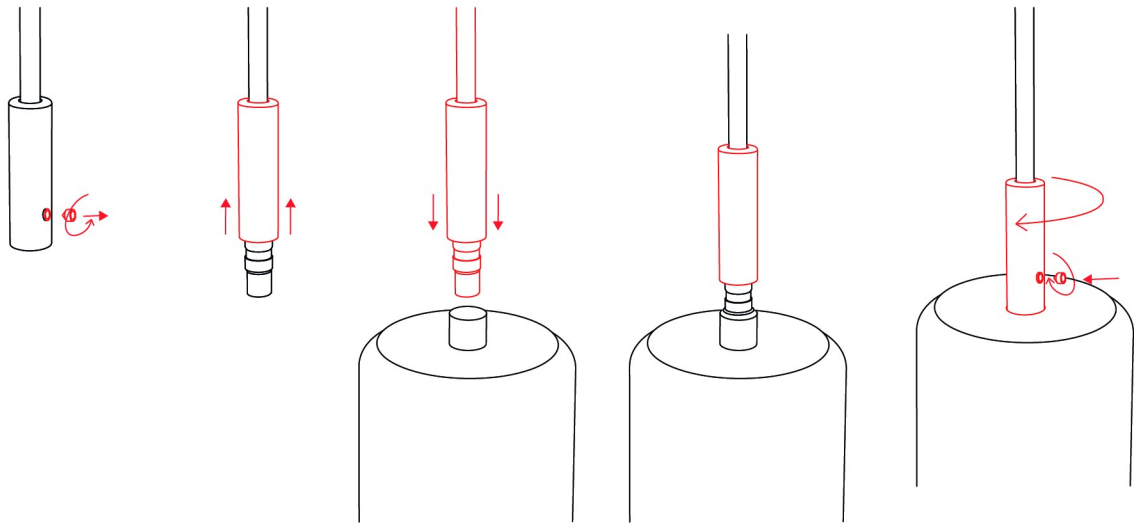
#### 4. INSTALLING THE CEILING CANOPY

Use the two set screws (M4×12) and the hex key size 2 to attach the ceiling canopy to the bracket.



## 5. INSTALLING THE LIGHT

Using the 1.5 hex key, loosen the set screw in the sleeve on the power cable. Insert the power cable into the connector on the light. Replace the sleeve and secure it by retightening the set screw.



## 6. SWITCHING ON THE LIGHT

Restore power at the main circuit panel and verify that the light works properly.

