

a

emotional light

ASSEMBLY INSTRUCTIONS
INSTRUCCIONES DE MONTAJE

Virginia

ref. VG03A

Suitable for indoor use, at 25°C

Apta para uso interior a temperatura ambiente de 25°C

Box contains | Contenido de la caja:

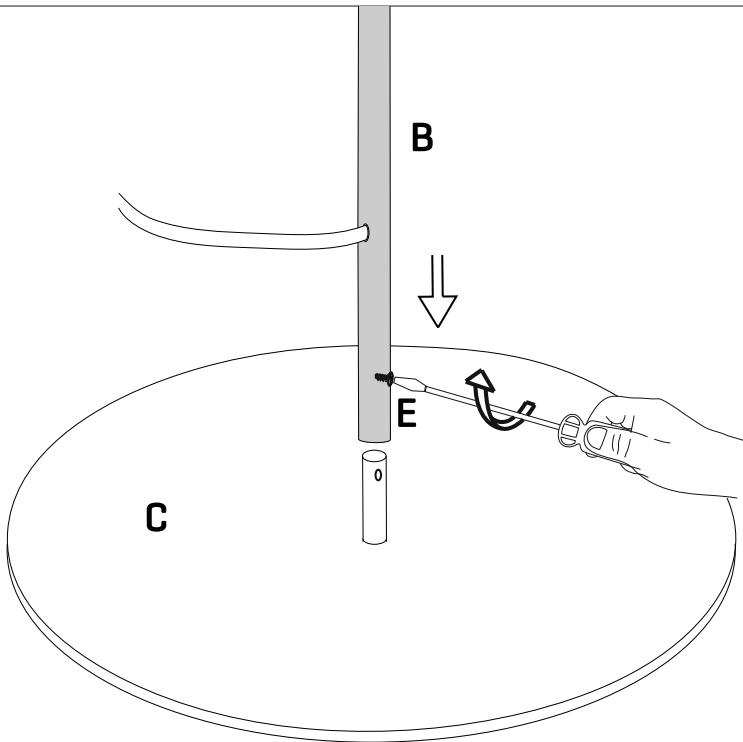
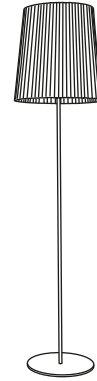
A - Lampshade | Tulipa [1]

B - Pie | Foot/support [1]

C - Base | Base [1]

D - Fixing washer | Arandela de fijación [1]

E - Screw | Tornillo [1]



1

The foot is shipped separately from its base, unpack both to proceed with its assembly. First take the foot and unscrew the screw and the washer, set them aside for the third step.

Join the foot into the base, by screwing a screw.

El pie se envía separada de la base, desembale ambos para proceder a su montaje.

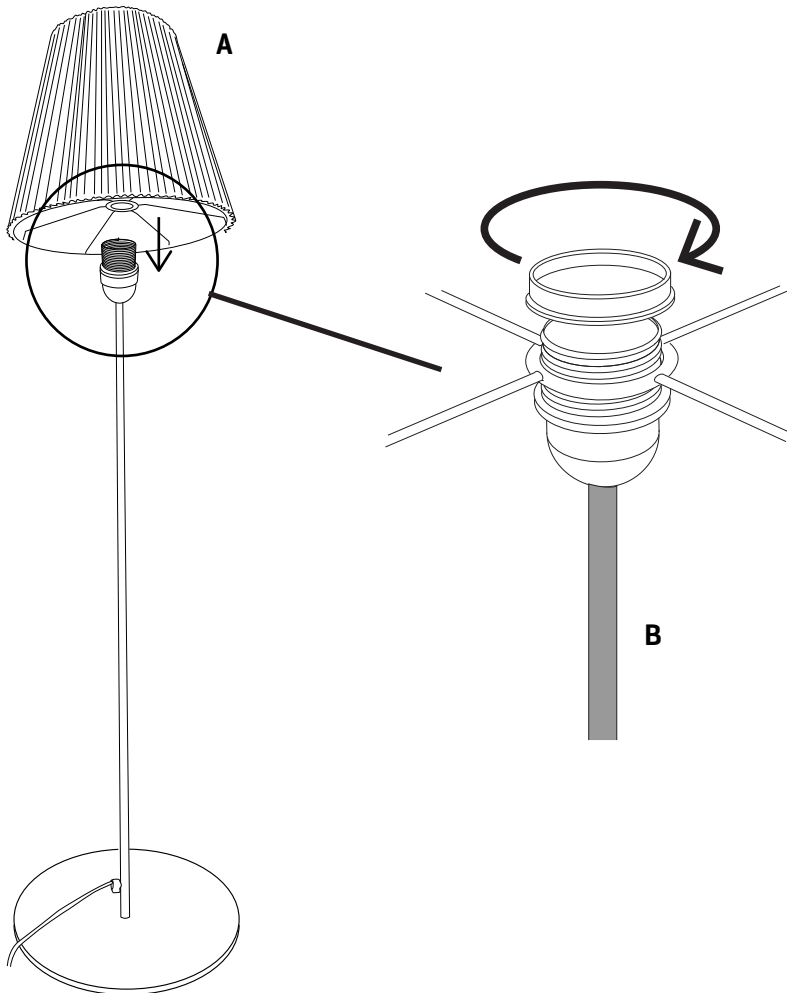
Introduzca el tubo en el pivote de la base, orientando los agujeros para enroscar el tornillo.

Unir el pie a la base, enroscando el tornillo.

a

emotional light

ASSEMBLY INSTRUCTIONS
INSTRUCCIONES DE MONTAJE



2

Introduce the diffuser over the socket and join all together with the fixing nut.

Sobre el portalámparas coloque la tulipa y apriete ambos con la rosca.