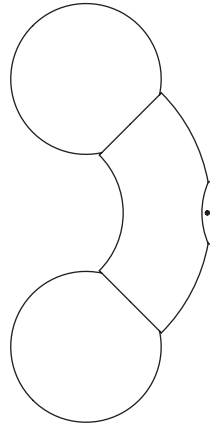
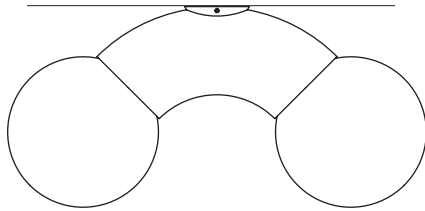


A—N—D

VINE SERIES CEILING/WALL

DESIGNER
CAINE HEINTZMAN



INSTRUCTIONS



SCAN HERE

WORLD MARKET



A-N-D.COM

INSTALLATION NOTES

The luminaire is powered by line voltage and is rated for inputs between 220-240VAC.

Proper installation of this luminaire requires that the hole in the wall be no greater than 25mm in diameter.

For questions regarding installation, please email info@n-d.com



CARE INSTRUCTIONS

Always wear clean gloves when handling the luminaire. Clean painted surfaces with a soft, lint-free cloth. Clean glass with a soft lint-free cloth and a standard glass cleaner. When changing light bulb, turn fixture off and allow to cool to room temperature prior to removing glass.

For replacement glass globes, contact A-N-D directly.

Replace Lamping with G9 LED lamps. Never exceed the recommended wattage and voltage (MAX 5W,240V), as doing so may damage the luminaire or cause a fire.



WARNING

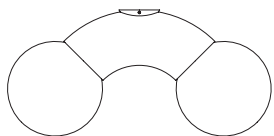
The luminaire must be installed by a qualified electrician in a dry indoor location.

Failure to meet any or all of these criteria will not only damage the luminaire, but will void both the warranty and all of its certifications.

VINE OPTIONS

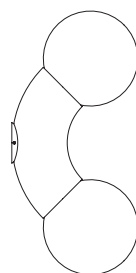
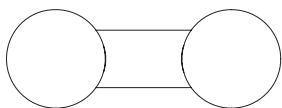


The Vine Ceiling/Wall can be installed on a ceiling or wall, vertically or horizontally.



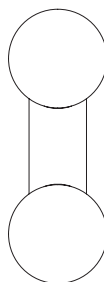
42cm | 16.5"

HORIZONTAL



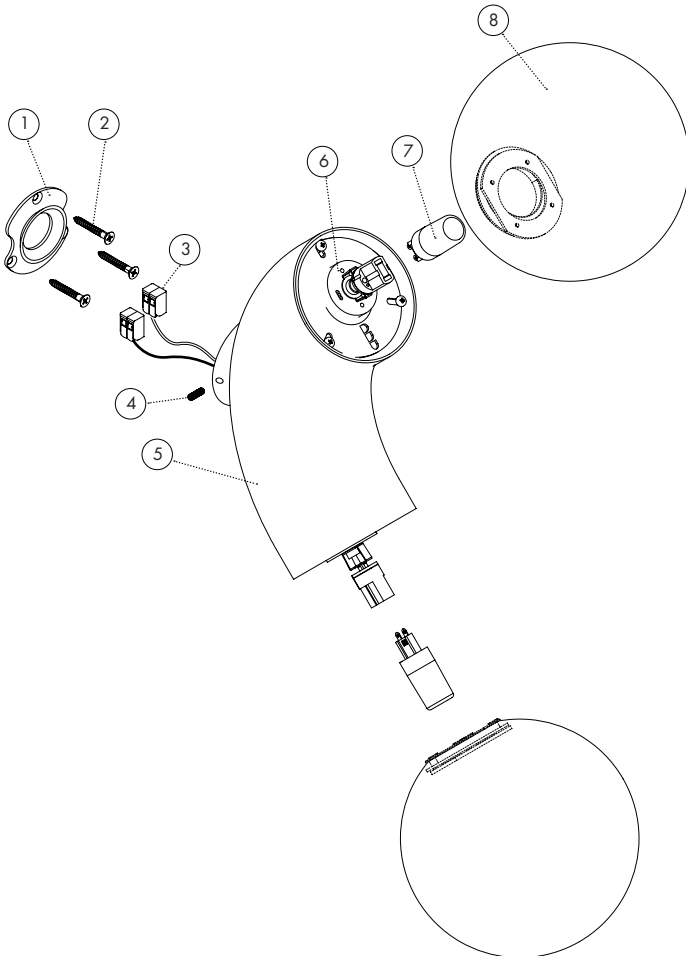
20cm | 7.75"

VERTICAL



COMPONENTS

- ① MOUNTING RING
- ② #6 SCREWS (3)
- ③ TERMINAL BLOCK (2)
- ④ SET SCREW (2)
- ⑤ LUMINAIRE
- ⑥ GLOBE HOLDER (2)
- ⑦ G9 LAMP (2)
- ⑧ GLASS GLOBE (2)



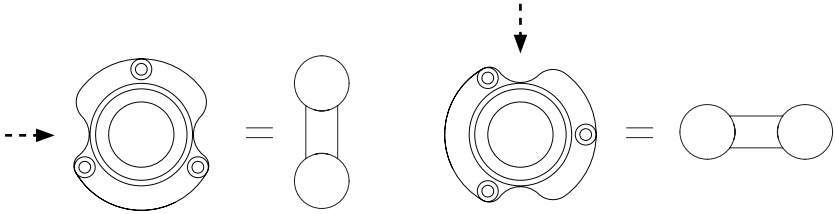
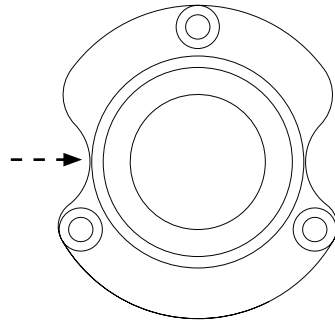
INSTALLATION



STEP 1

Determine the position of the mounting ring.

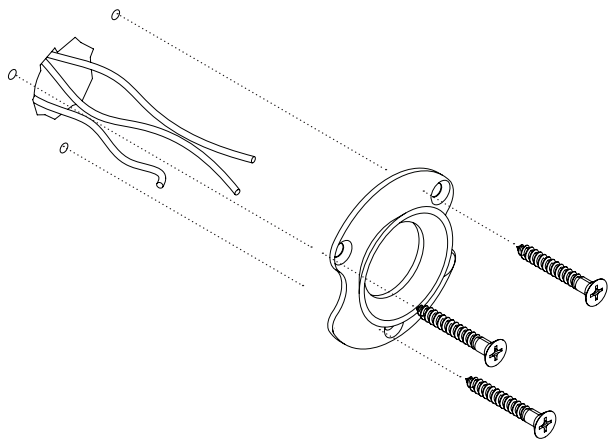
See the diagram below and point the arrow towards the desired position of the luminaire.



STEP 2

Attach the mounting ring to the surface.

Use the provided #6 screws. Anchors, if required to be provided by installer.



INSTALLATION

STEP 3

Connect input power to the luminaire. Connect ground.

Black/brown wire = **Line** (L)

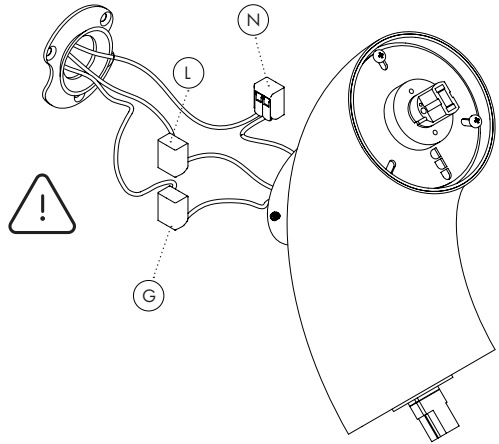
White/blue wire = **Neutral** (N)

Green wire = **Ground** (G)

Push the wires and electrical connections into the luminaire body.

⚠ Caution!

Ensure that the power is disconnected.

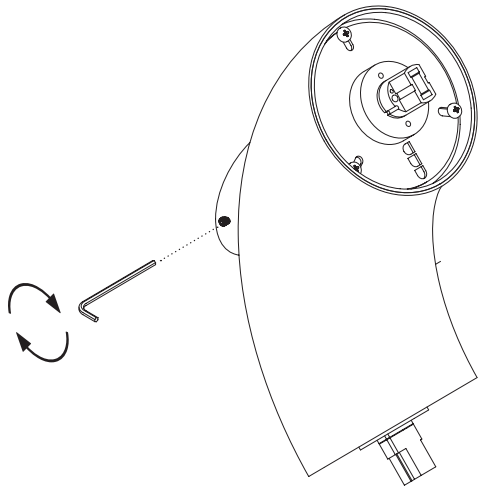


STEP 4

Attach the luminaire to the mounting ring.

Use the hex key to turn the set screws.

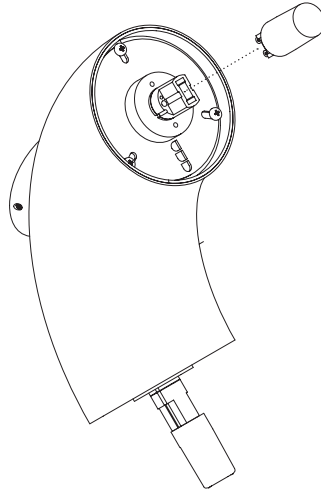
Thread the set screws clockwise until the luminaire is tight against the ceiling or wall surface.



STEP 5

Install G9 lamps.

A 'click' will indicate proper installation of the lamp into the socket.



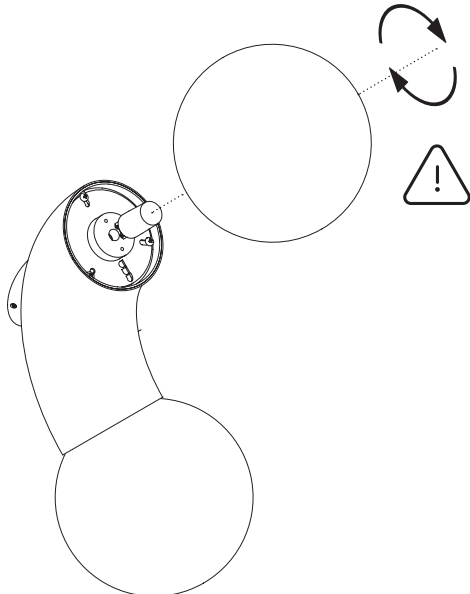
STEP 6

Attach the glass globes.

Thread the globe clockwise onto the globe holder.

Caution!

Take care not to over tighten the globes, doing so may crack the glass.



A—N—D

For support, please contact:

info@a-n-d.com

+1 604 563 6938



1951 Franklin St,
Vancouver, BC
Canada V5L 0C7

A-N-D.COM