

A—N—D

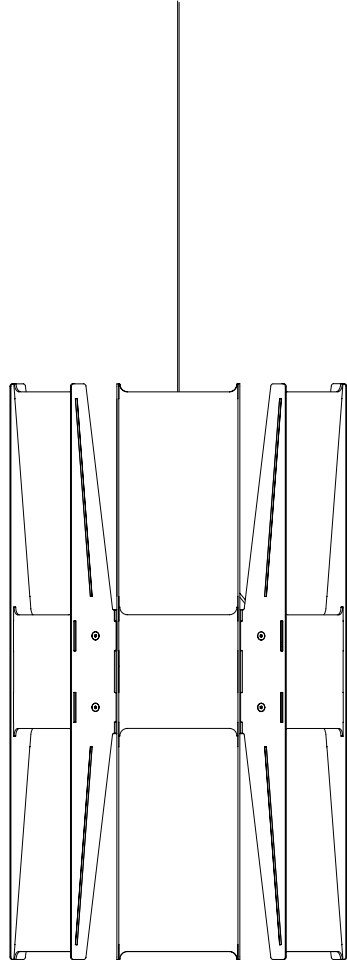
# VECTOR SERIES PENDANT

DESIGNER  
LUKAS PEET

INSTRUCTIONS



SCAN HERE



WORLD MARKET



A-N-D.COM

# INSTALLATION NOTES

---

A constant voltage LED driver is required to operate the luminaire. The LED driver varies depending on input voltage and dimming requirements.

For questions regarding installation, please email [info@n-d.com](mailto:info@n-d.com)



---

## CARE INSTRUCTIONS

Always wear clean gloves when handling the luminaire. Please handle with the utmost care. The finish of this luminaire is very delicate and can be marked or shed with improper handling. Some patina will naturally occur over time.

For replacement parts, contact A-N-D directly.



---

## WARNING

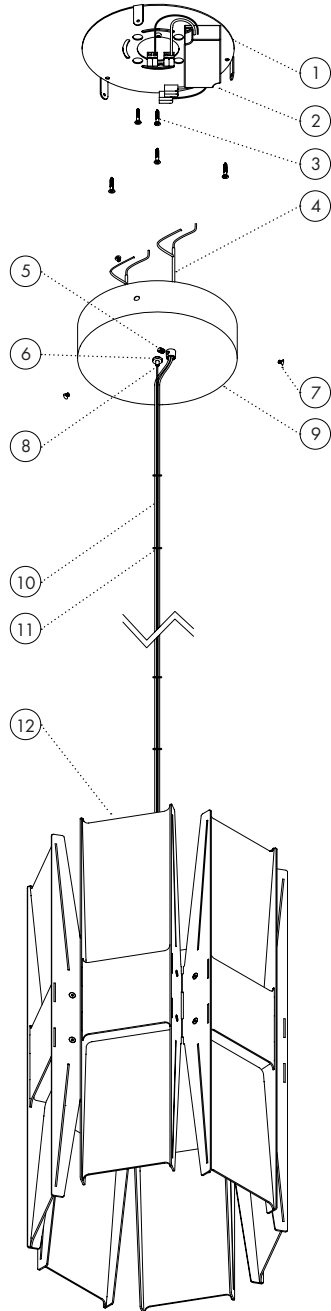
The luminaire must be installed by a qualified electrician in a dry indoor location.

Failure to meet any or all of these criteria will not only damage the luminaire, but will void both the warranty and all of its certifications.

# COMPONENTS



- ① BACKPLATE
- ② DRIVER
- ③ #8 SCREW (4)
- ④ COAXIAL CABLE
- ⑤ PLASTIC SET SCREW
- ⑥ STRAIN RELIEF
- ⑦ CANOPY SCREW (3)
- ⑧ CABLE GRIPPER
- ⑨ CANOPY
- ⑩ AIRCRAFT CABLE
- ⑪ ORING (4)
- ⑫ LUMINARE BODY



\*PENDANT 6 MODEL SHOWN

# LED DRIVER OPTIONS

The Vector Pendant LED driver varies depending on dimming requirements and input voltage.

Use the ordering code to determine the selected driver:

ie. VEC-P-BS-27-UNV-120/277

-----INPUT VOLTAGE

## PHASE CUT DIMMING (PC)

LD040D

**INPUT:** 230V

**OUTPUT:** 24V, 40W

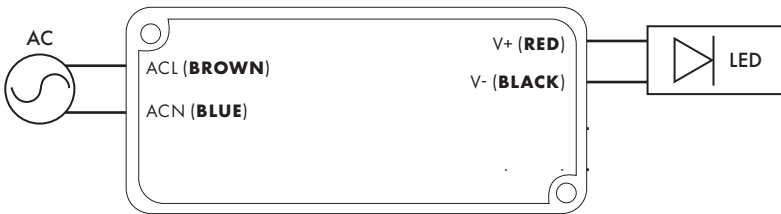
**L x W x H:** 170 x 44 x 32

LD024D

**INPUT:** 230V

**OUTPUT:** 24V, 24W

**L x W x H:** 88 x 41 x 31



## 0-10 + PWM DIMMING (010)

LD022H

**INPUT:** 110-277VAC

**OUTPUT:** 24VDC, 22W

**L x W x H:** 88 x 41 x 31

PWM-40-24

**INPUT:** 110-277VAC

**OUTPUT:** 24VDC, 40W

**L x W x H:** 150 x 53 x 35

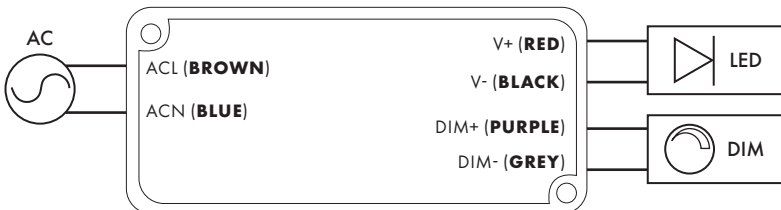
## DALI (DAL)

EUCHIPS EUP40D 24V

**INPUT:** 220-240V

**OUTPUT:** 24V, 40W

**L x W x H:** 140 x 35 x 80



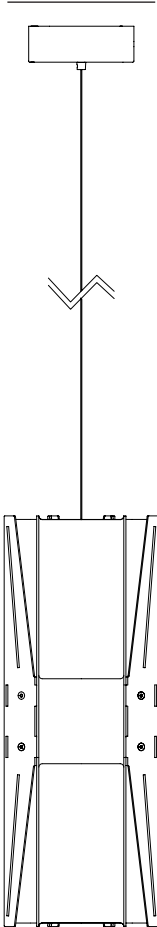
# VECTOR OPTIONS



## VECTOR 3

TOTAL WEIGHT ~22lbs / ~10 kg

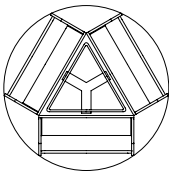
Ø 11.4cm | 4.5"



5cm  
2"

244cm  
96"

58cm  
22.75"

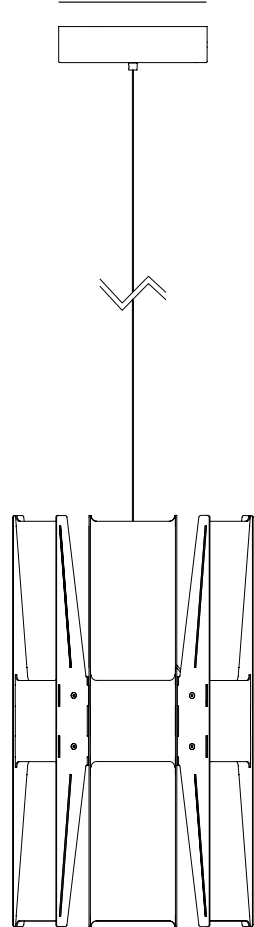


22cm  
8.65"

## VECTOR 6

TOTAL WEIGHT ~45lbs / ~20.5 kg

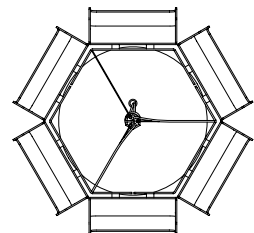
Ø 20.3cm | 8"



5cm  
2"

244cm  
96"

58cm  
22.75"



58cm  
22.75"

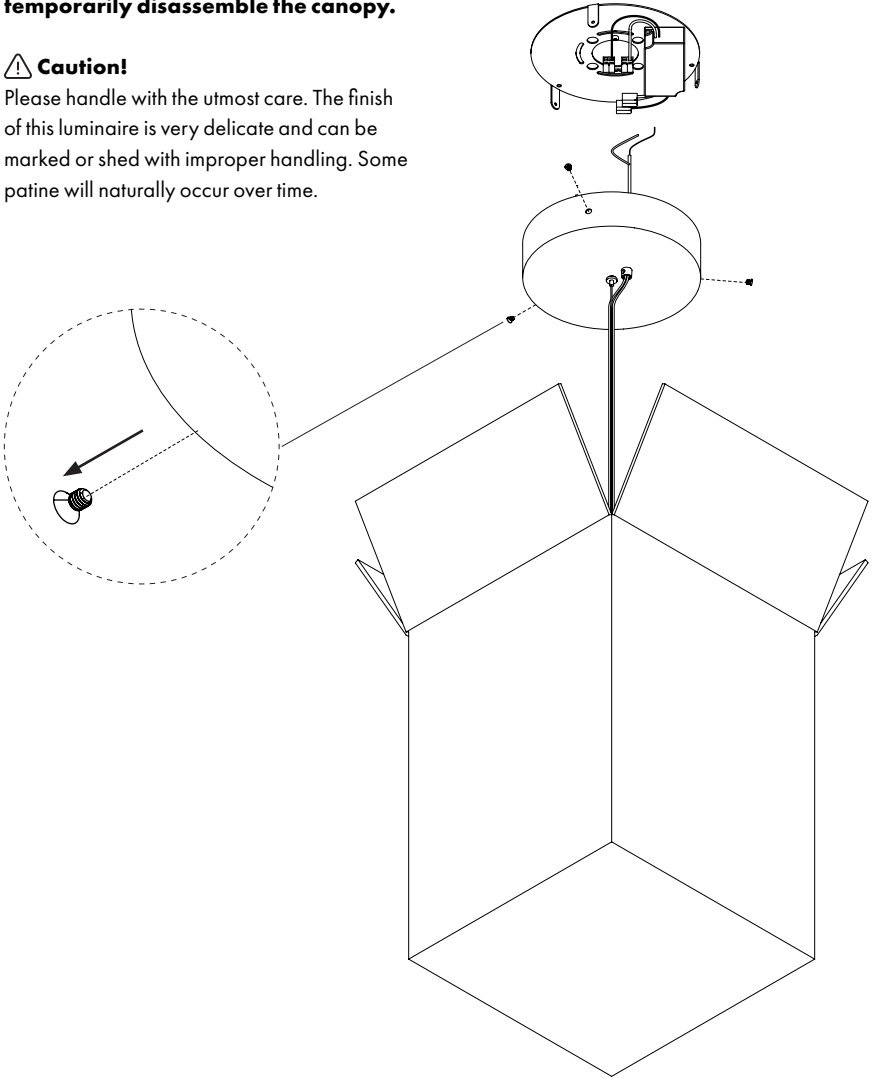
# INSTALLATION

## STEP 1

**Remove the canopy screws (3) to temporarily disassemble the canopy.**

**⚠ Caution!**

Please handle with the utmost care. The finish of this luminaire is very delicate and can be marked or shed with improper handling. Some patina will naturally occur over time.



## STEP 2

**Connect input power to the primary circuit on the LED driver. Connect the ground.**

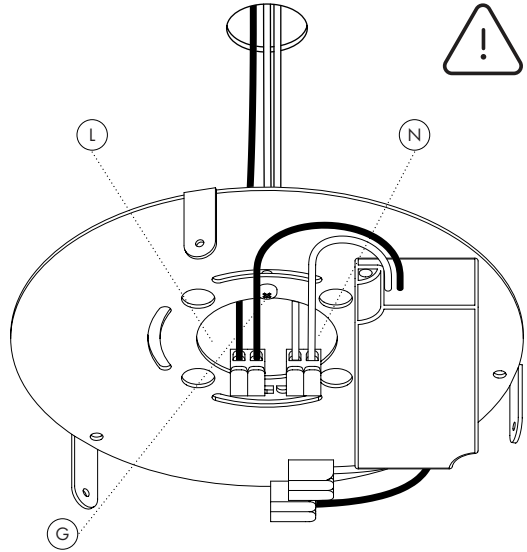
Black/brown wire = **Line** (L)

White/blue wire = **Neutral** (N)

Green screw = **Ground** (G)

**⚠ Caution!**

Ensure that the power is disconnected at the breaker.



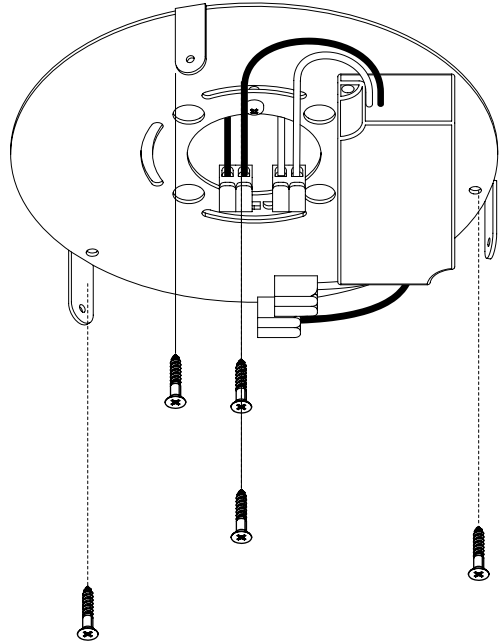
# INSTALLATION

## STEP 3

### Attach the backplate to the ceiling.

Specific substrate anchor, if needed, must be provided by installer.

Refers to **Page 5** for the fixture weight.



**STEP 4**

**i) Determine the drop height of the fixture and trim excess cable.**

**Coaxial cable length:**

Leave an extra 15cm/ 6" for final height adjustments.

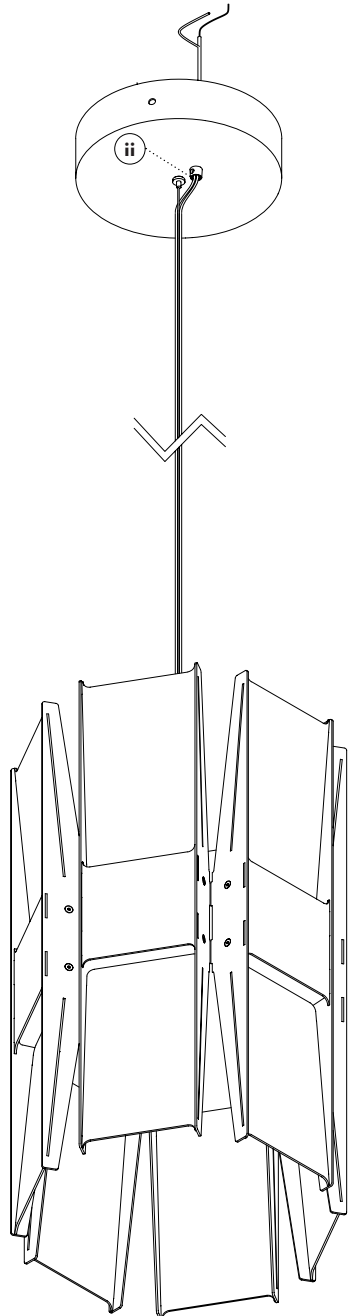
**ii) Secure the coaxial cable cord in position.**

Turn the screw on the strain relief until it grips the coaxial cable.

EXTRA  
15cm  
.....  
6"

i  
DROP  
HEIGHT  
244cm  
.....  
96"

58cm  
.....  
22.75"



# INSTALLATION

## STEP 5

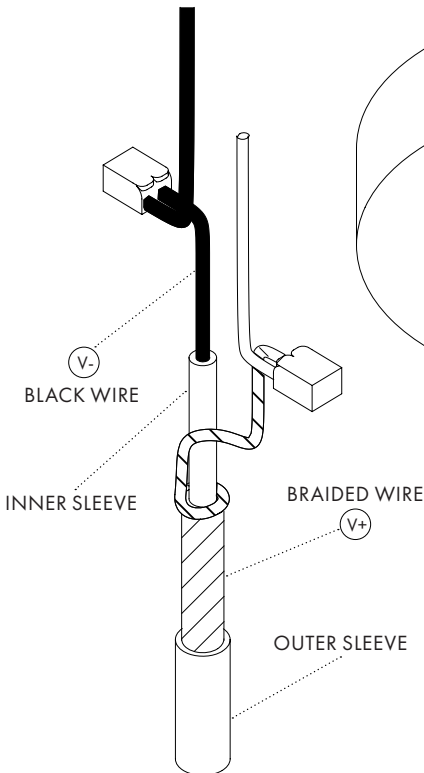
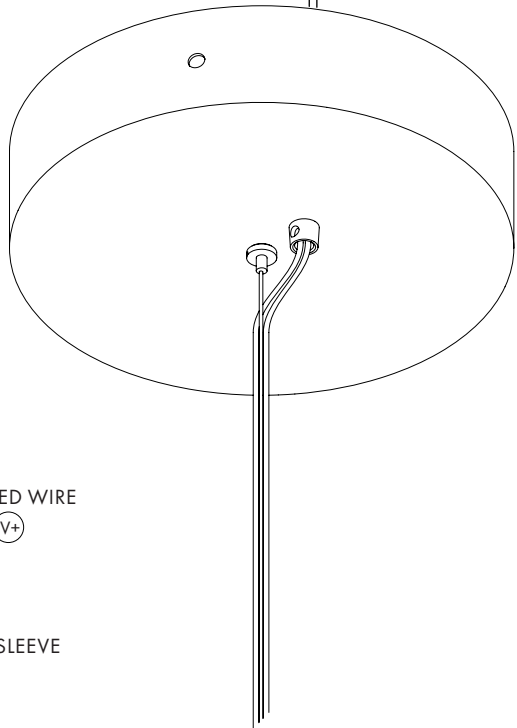
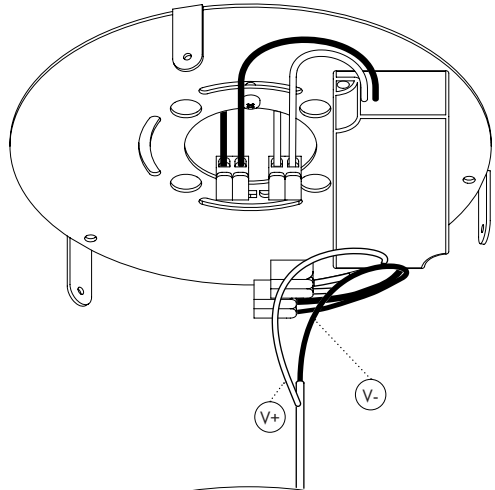
While supporting the luminaire, connect the luminaire to the secondary circuit on the LED drivers with provided connectors.

Braided wire = **Positive** (V+)

Black wire = **Negative** (V-)

Purple wire = **DIM +** (optional)

Pink wire = **DIM -** (optional)

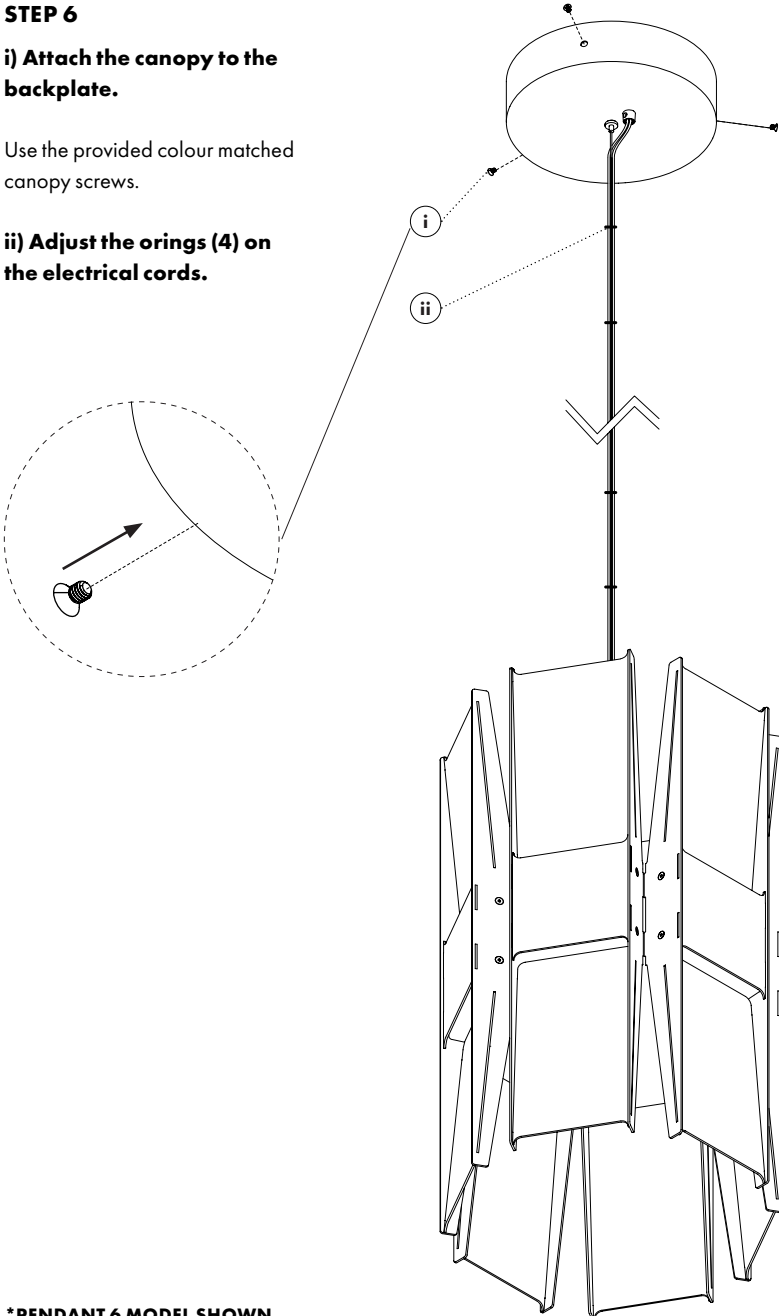


**STEP 6**

**i) Attach the canopy to the backplate.**

Use the provided colour matched canopy screws.

**ii) Adjust the orings (4) on the electrical cords.**



**\*PENDANT 6 MODEL SHOWN**

# A—N—D

For support, please contact:

[info@a-n-d.com](mailto:info@a-n-d.com)

+1 604 563 6938



1951 Franklin St,  
Vancouver, BC  
Canada V5L 0C7

**A-N-D.COM**