

A—N—D

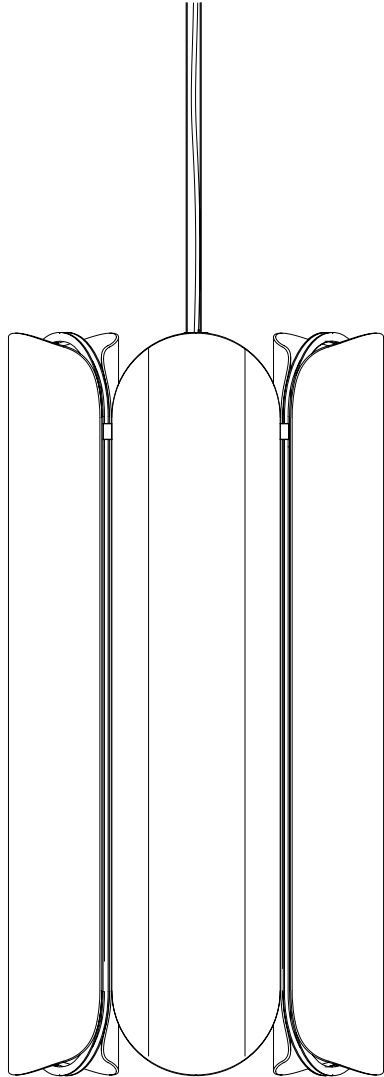
VALE SERIES CHANDELIER 3/6/12

DESIGNER
CAINE HEINTZMAN

INSTRUCTIONS



SCAN HERE



WORLD MARKET



A-N-D.COM

INSTALLATION NOTES

The luminaire is powered by 24V DC. A constant voltage LED driver is required to operate the luminaire. The LED driver varies, depending on input voltage and dimming requirements.

It is recommended that up to three people install the Vale Chandelier; two to gently support the luminaire while the other makes the electrical and mechanical connections to the ceiling.

For questions regarding installation, please email info@A-N-D.com



CARE INSTRUCTIONS

Always wear clean gloves when handling the luminaire. Clean finished surfaces with a soft, lint-free cloth. Clean acrylic diffuser soft lint-free cloth and diluted solution of soap and water.

For replacement parts contact A-N-D directly.



WARNING

The luminaire must be installed by a qualified electrician in a dry indoor location.

Failure to meet any or all of these criteria will not only damage the luminaire, but will void both the warranty and all of its certifications.

LED DRIVER OPTIONS



The Vale Chandelier LED driver varies depending on dimming requirements and input voltage.

Use the ordering code to determine the selected driver:

ie. VAL-CHA-3-ANT-27-010-230

DIMMING ----- INPUT VOLTAGE

DRIVER OPTIONS

PHASE CUT DIMMING (PC)

M40 SERIES - ES POWER

INPUT: 230VAC

OUTPUT: 24VDC, 75W

L x W x H: 140 x 49 x 32 [MM]



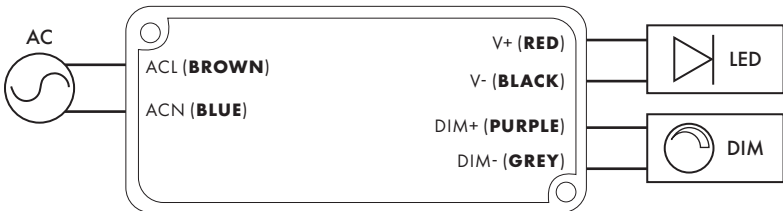
0-10 + PWM DIMMING (010)

Q68-P SERIES - MAGTECH

INPUT: 110-277VAC

OUTPUT: 24VDC, 68W

L x W x H: 140 x 49 x 32 [MM]



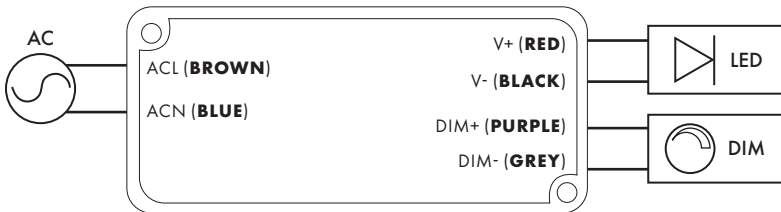
DL MULTI-024-100W (5 IN 1 DIMMING)

DIFFUSION

INPUT: 110-277VAC

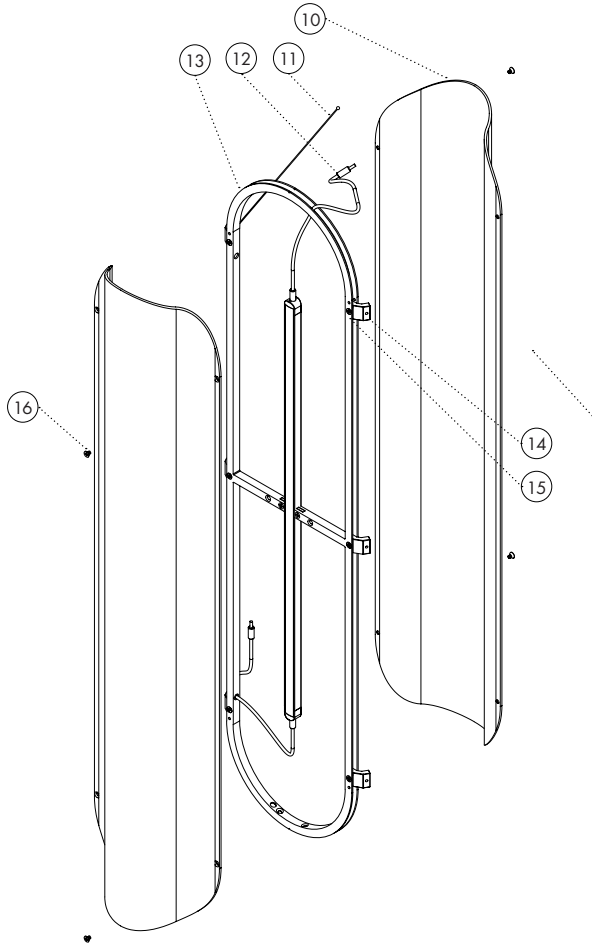
OUTPUT: 24VDC, 100W

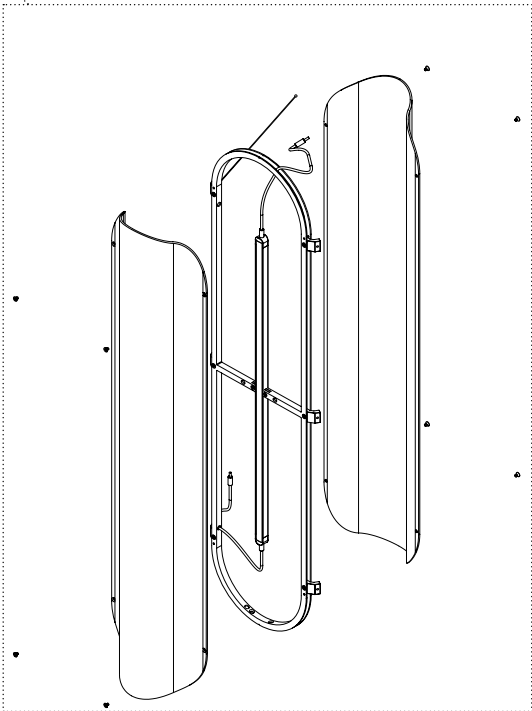
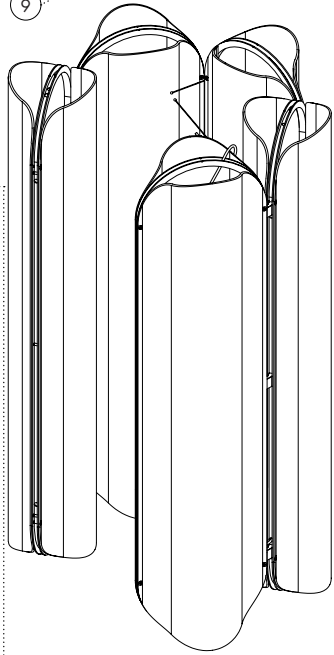
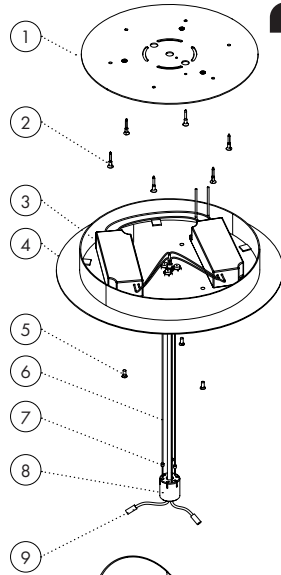
L x W x H: 220 x 95 x 41 [MM]



COMPONENTS

- ① BACKPLATE
- ② #10 SCREW (6)
- ③ CANOPY
- ④ DRIVER
- ⑤ CANOPY SCREWS (3)
- ⑥ SUSPENSION CABLE (3)
- ⑦ SET SCREW (3)
- ⑧ SUSPENSION HUB
- ⑨ ELECTRICAL CORD (1-3)
- ⑩ DIFFUSER (3-12-24)
- ⑪ SHORT SUSPENSION CABLE (3-6)
- ⑫ JUMP WIRE (3-6-12)
- ⑬ FRAME + LED ASSEMBLY (3-6-12)
- ⑭ PUCK (9-18-36)
- ⑮ PUCK SCREW (9-18-36)
- ⑯ CLEAR SCREW (12-48-96)



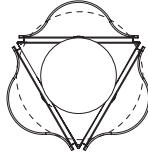


*VALE CHANDELIER 6 SHOWN

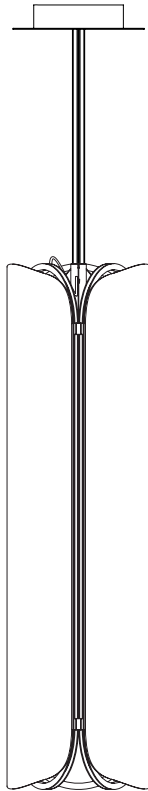
VALE DIMENSIONS

VALE CHANDELIER 3

TOTAL WEIGHT 6KG/14LB



30cm
11.75"

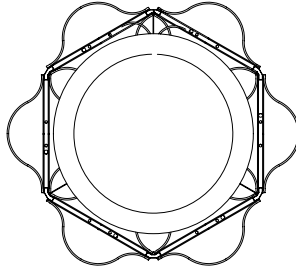


SET DROP
LENGTH

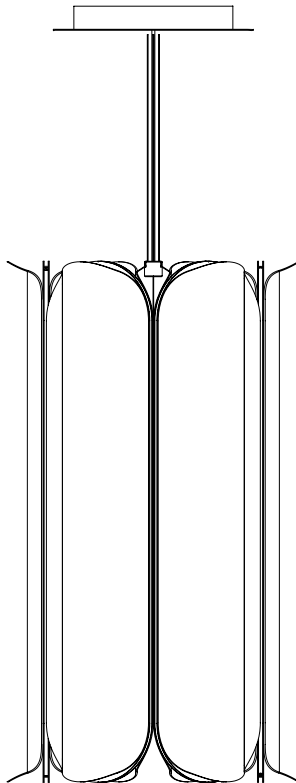
101.5cm
40"

VALE CHANDELIER 6

TOTAL WEIGHT 20KG/44LB



57cm
22.45"



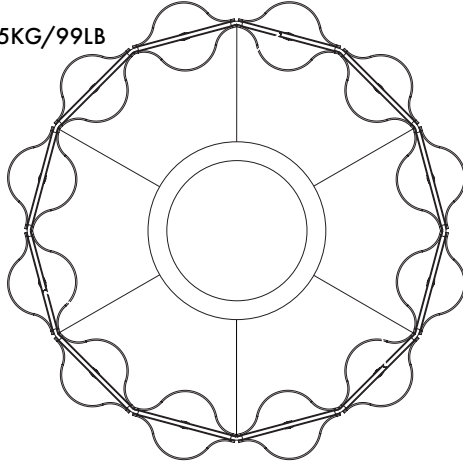
SET DROP
LENGTH

101.5cm
40"

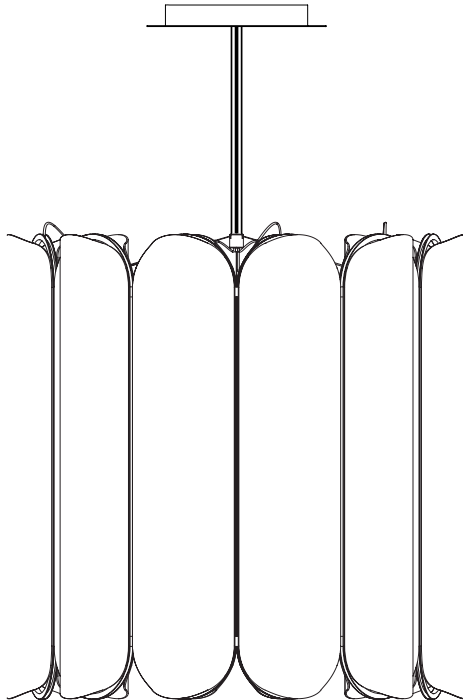
VALE DIMENSIONS

VALE CHANDELIER 12

TOTAL WEIGHT 45KG/99LB



103cm
40.5"



SET DROP
LENGTH

101.5cm
40"

INSTALLATION



STEP 1

Feed Line, Neutral and Ground wires through the backplate.

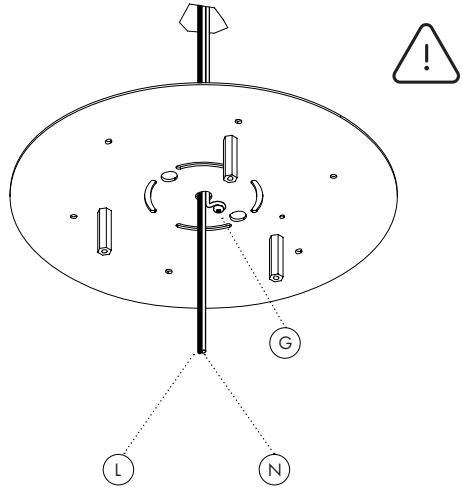
Black/brown Wire = **Line** (L)

White/blue Wire = **Neutral** (N)

Green screw = **Ground** (G)

⚠ Caution!

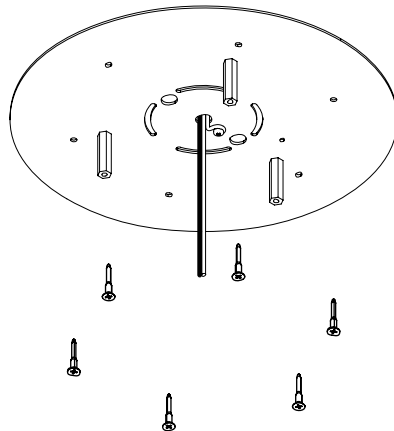
Ensure that the power is disconnected at the breaker.



STEP 2

Using the provided screws, mount the backplate on the ceiling.

The installer must provide the mounting hardware required to meet site specifications.



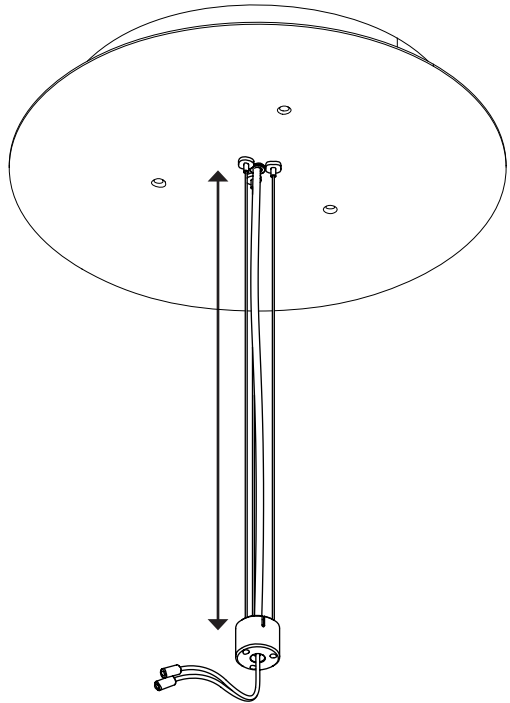
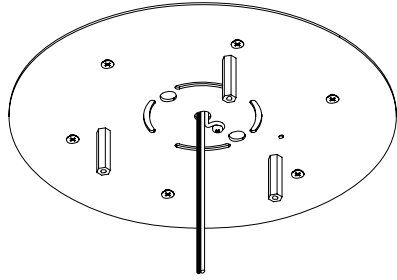
REFER TO PAGE 6-7-8 FOR WEIGHT DETAILS

INSTALLATION

STEP 3

If necessary, small height adjustment can be done at this step.

The Chandelier ships with the electrical cords and suspension cables pre-adjusted to a length specified by the client.



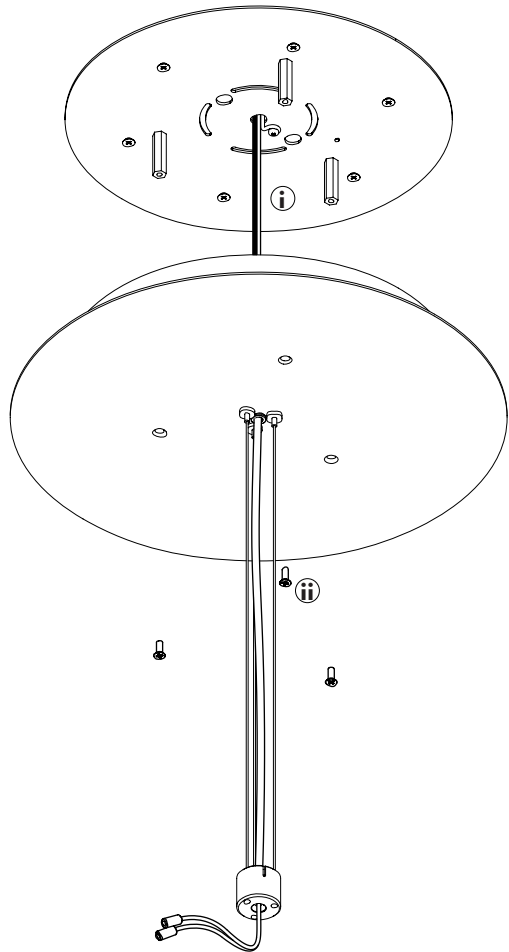
STEP 4

i) Connect the wiring harness to input power.

Black/brown Wire = **Line** (L)

White/blue Wire = **Neutral** (N)

ii) Using the provided canopy screws, attach the canopy to the backplate.



REFER TO PAGE 4-5: DRIVER OPTIONS FOR MORE DETAILS

INSTALLATION

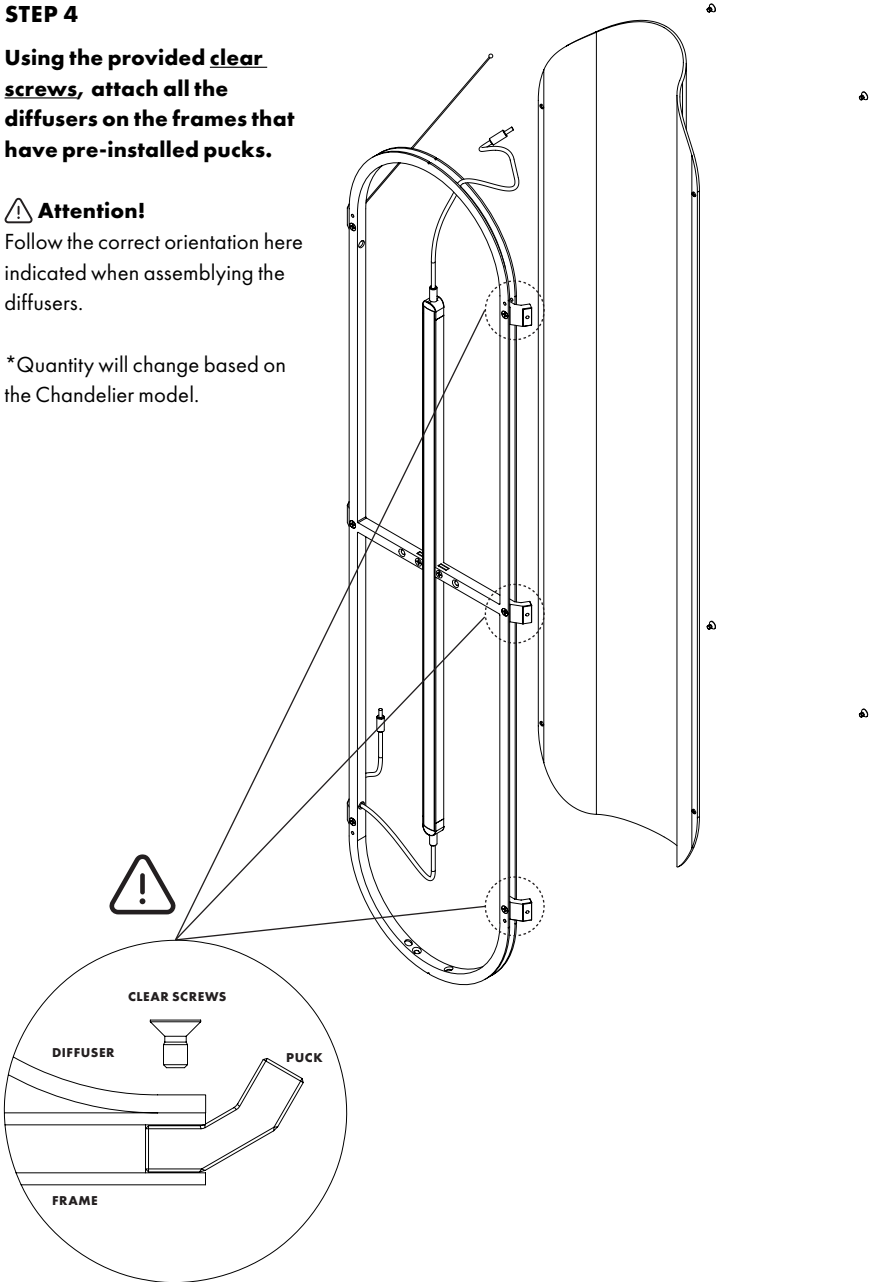
STEP 4

Using the provided **clear screws**, attach all the **diffusers** on the frames that have **pre-installed pucks**.

⚠ Attention!

Follow the correct orientation here indicated when assembling the diffusers.

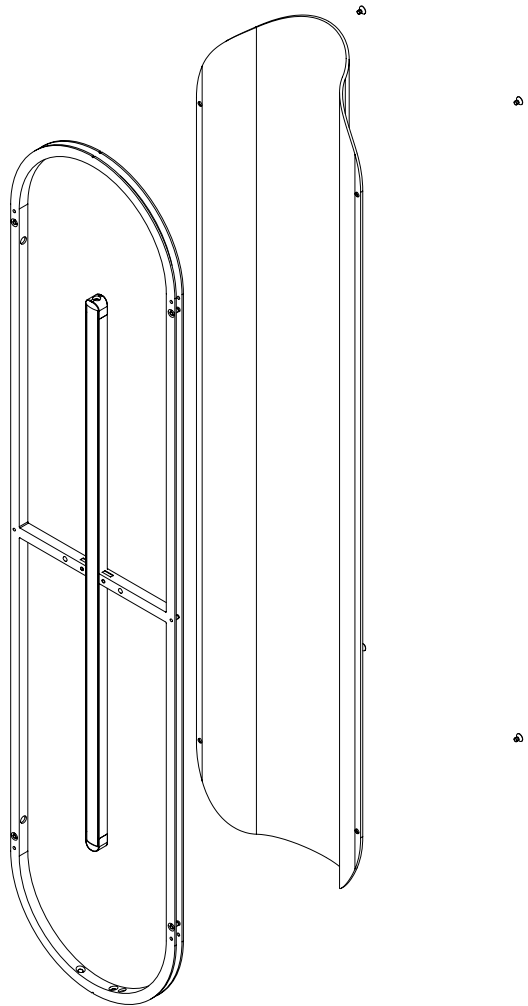
*Quantity will change based on the Chandelier model.



STEP 6

Using the provided clear screws, attach all the diffusers on one side of the remaining frames.

*Quantity will change based on the Chandelier model.



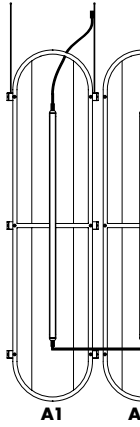
*VALE CHANDELIER 6 SHOWN

INSTALLATION - WIRING DIAGRAM

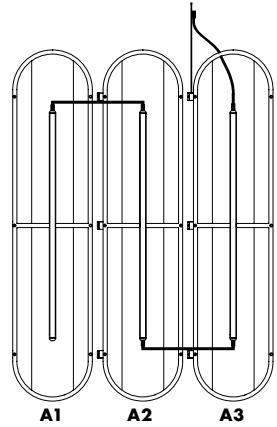
STEP 7

Following the scheme on the right, feed the jump wires as shown.

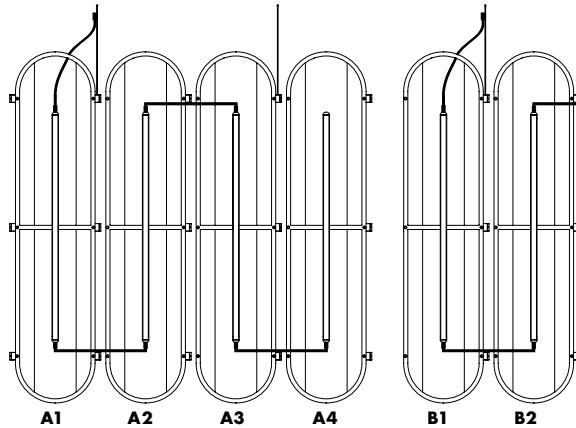
VALE CHANDELIER 3

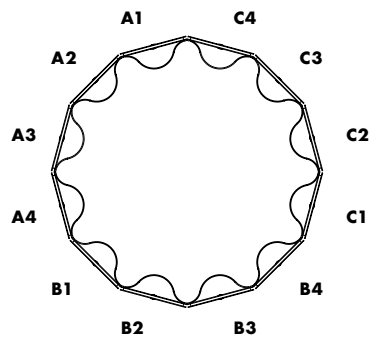
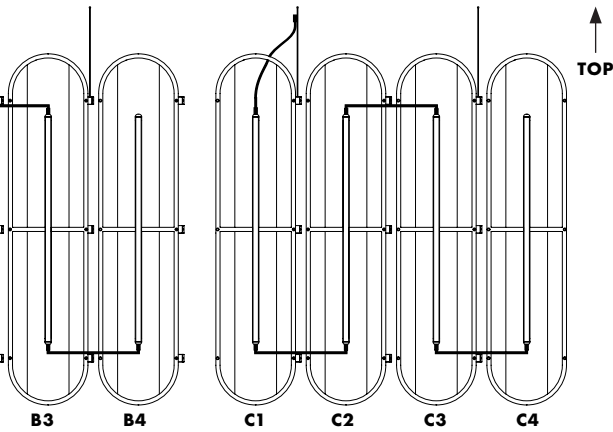
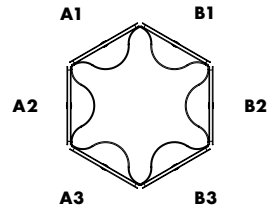
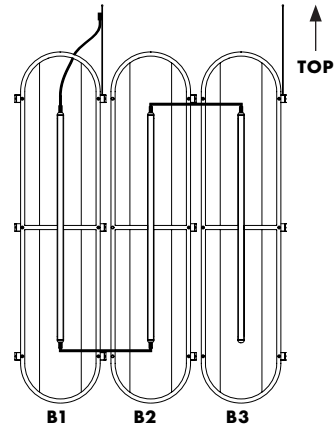
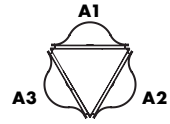
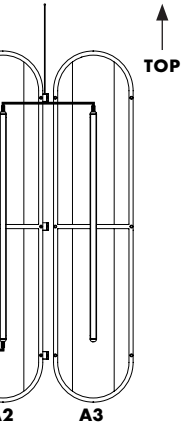


VALE CHANDELIER 6



VALE CHANDELIER 12

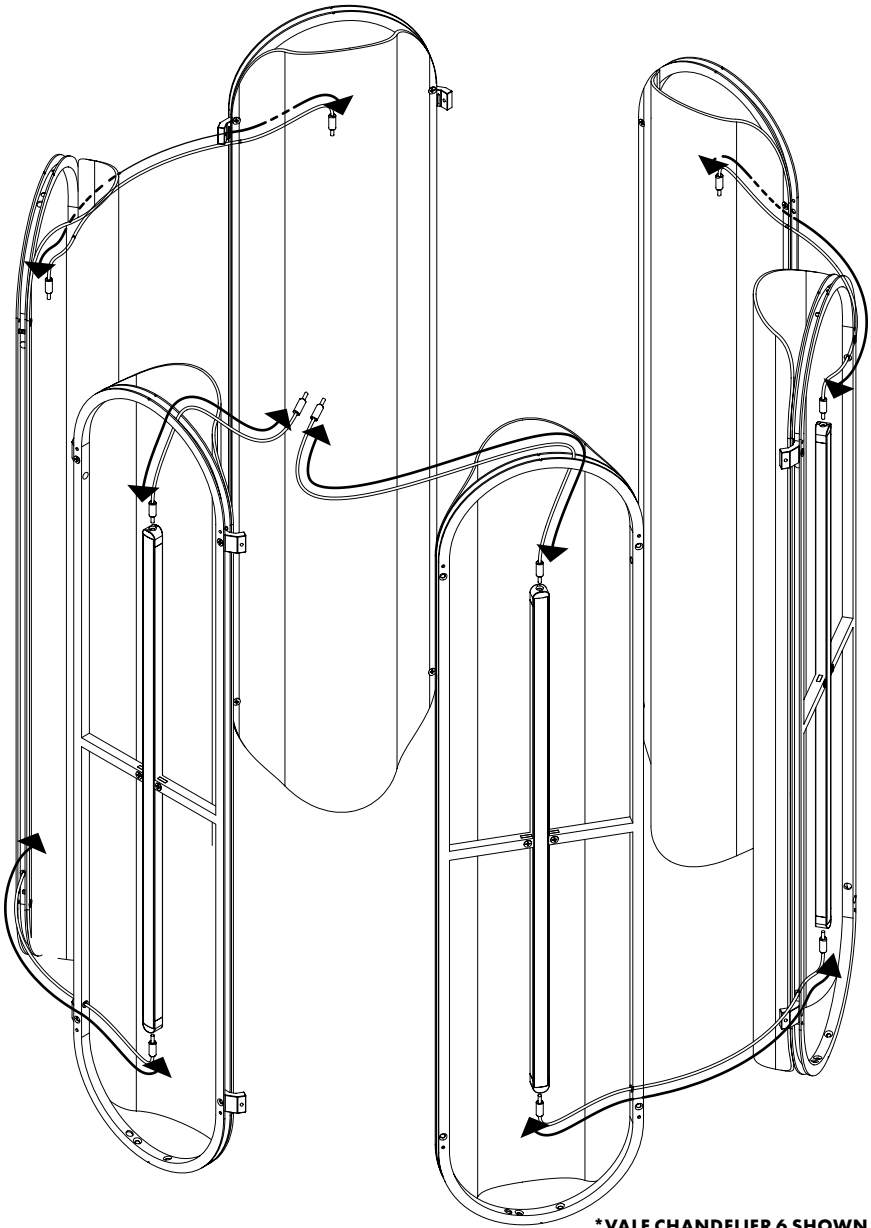




INSTALLATION

STEP 7

Following the scheme on the previous page, feed the jump wires as shown.

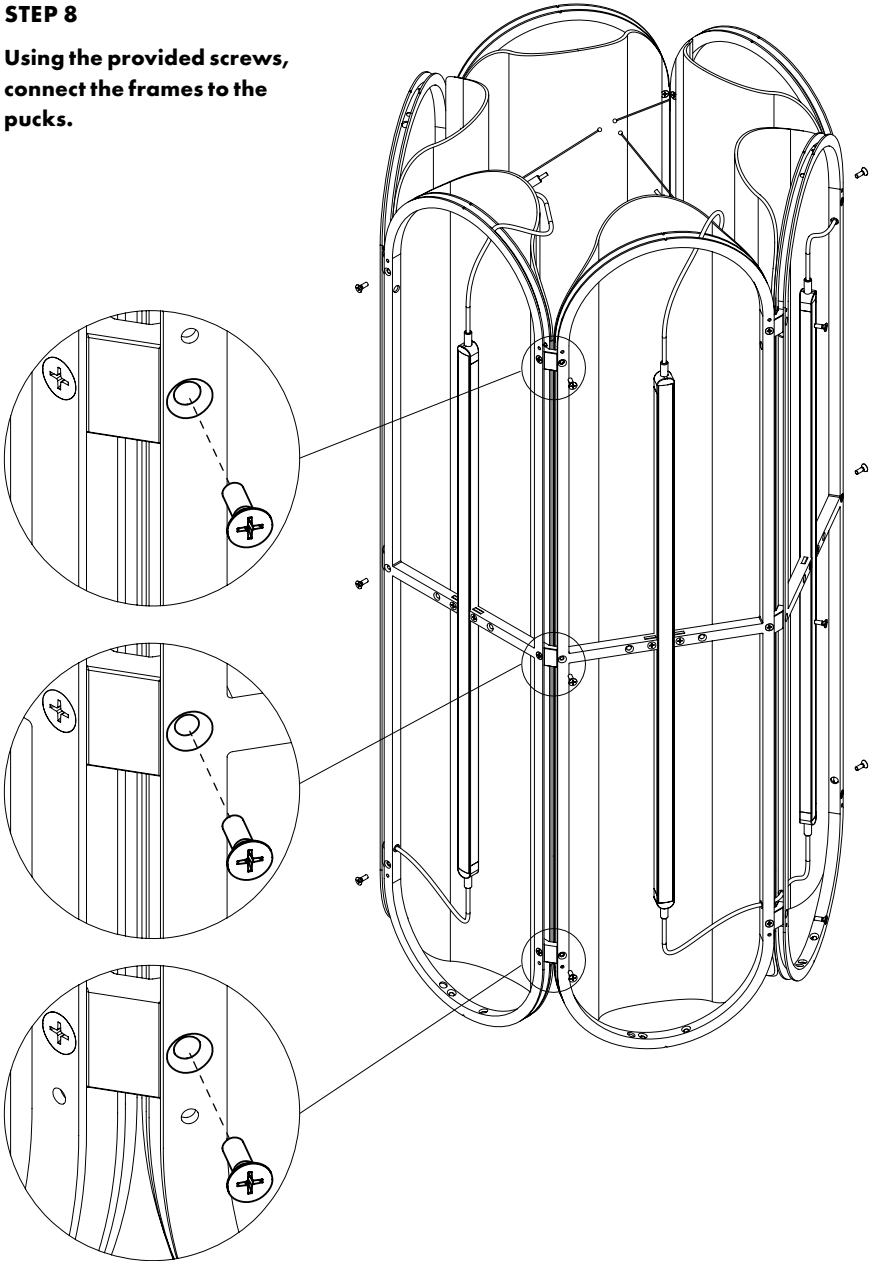


*VALE CHANDELIER 6 SHOWN

INSTALLATION

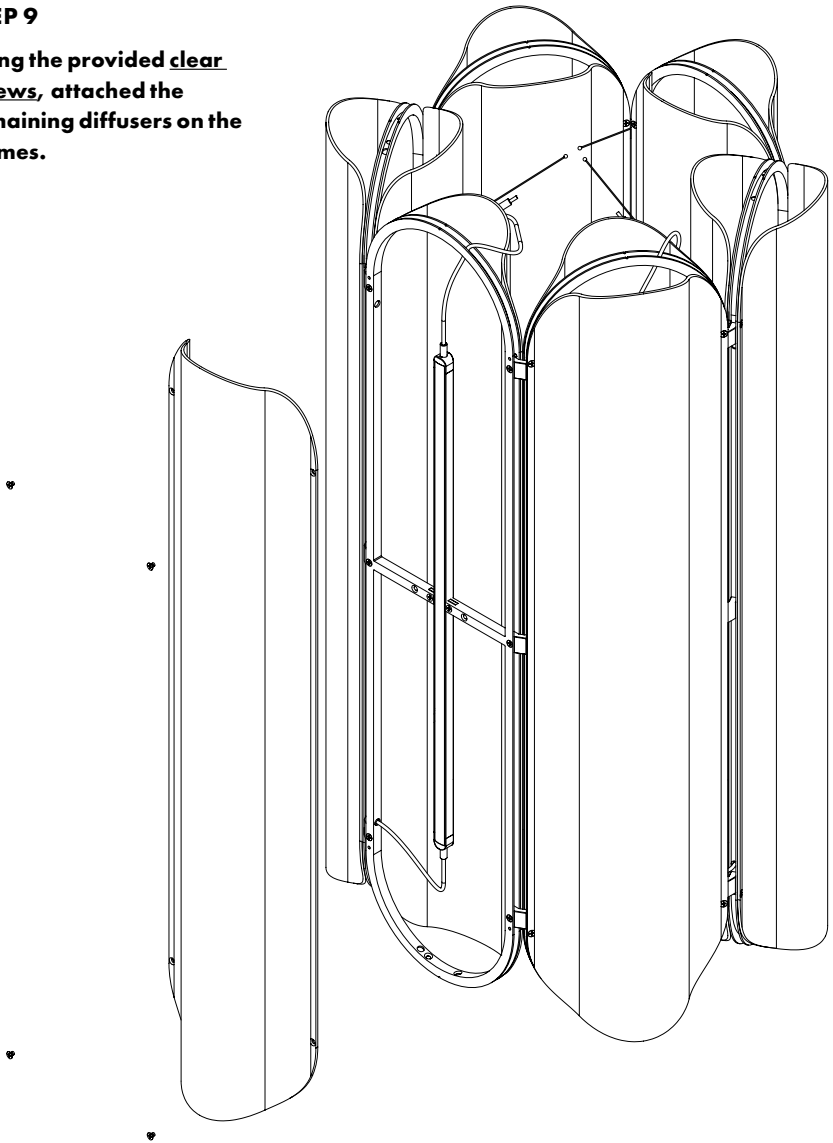
STEP 8

Using the provided screws, connect the frames to the pucks.



STEP 9

Using the provided clear screws, attached the remaining diffusers on the frames.



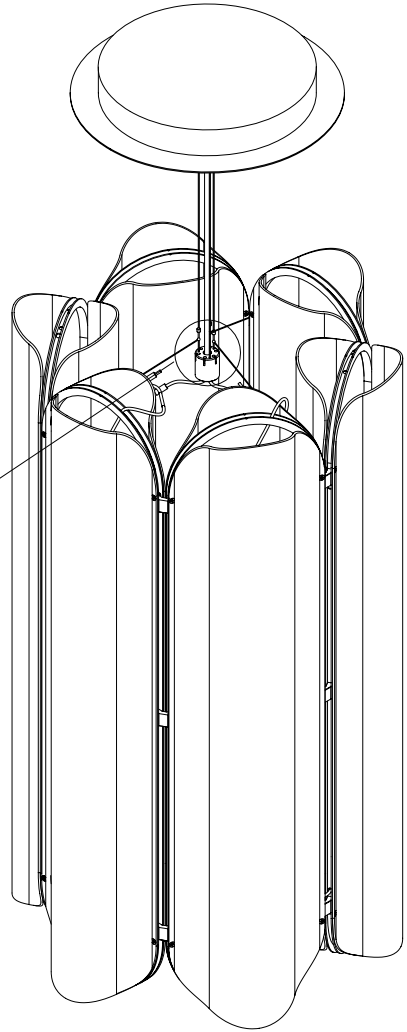
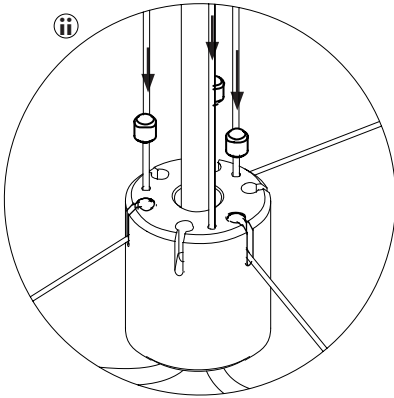
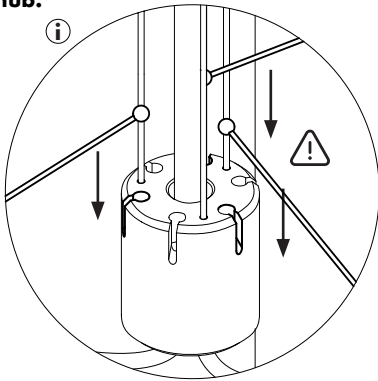
*VALE CHANDELIER 6 SHOWN

INSTALLATION

STEP 11

i) With help, carefully raise the chandelier and slide the three short suspension cables into the slot on the hub.

ii) With the 3 provided set screws, secure the short suspension cables on the hub.

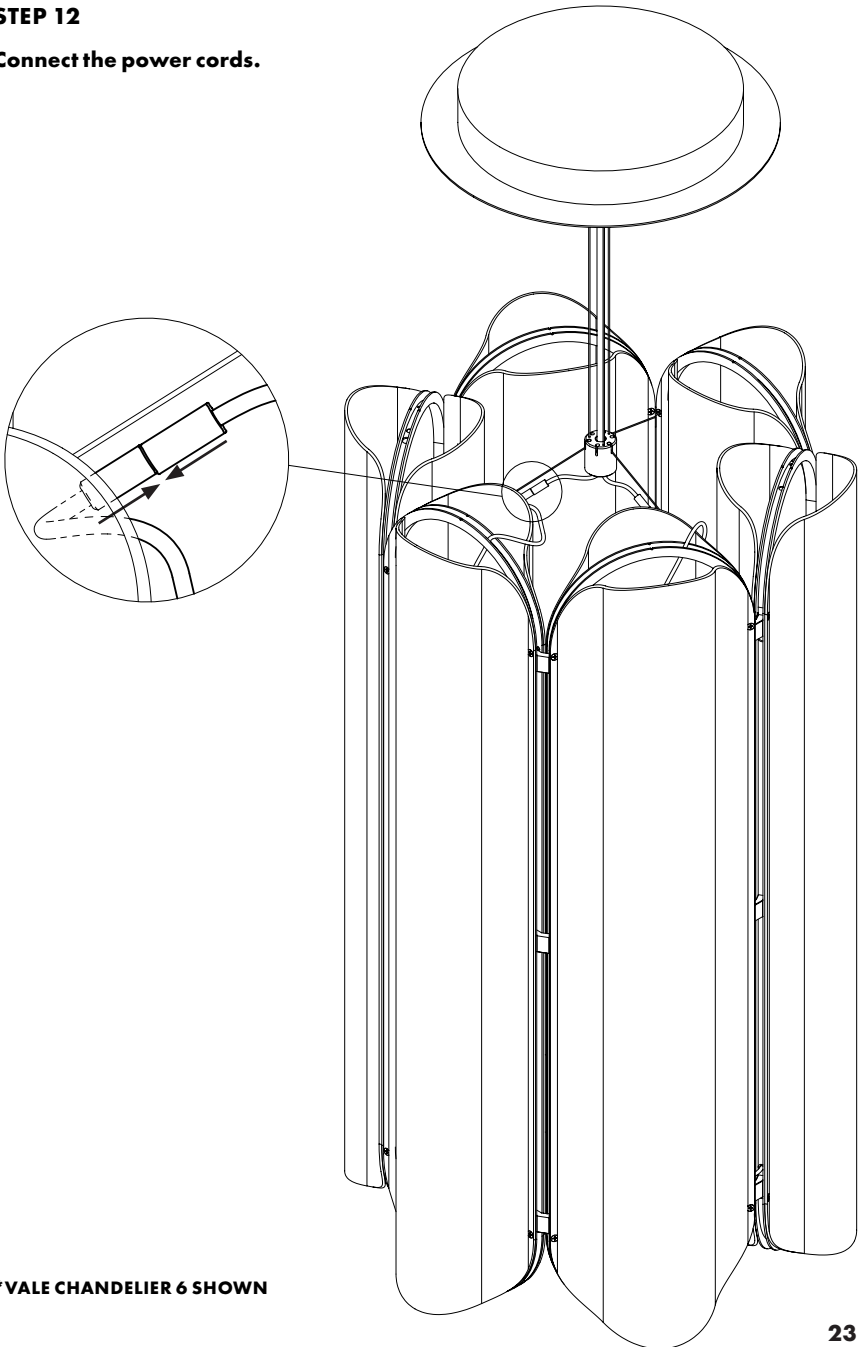


**VALE CHANDELIER 12
USES 6 SHORT SUSPENSION CABLES**



STEP 12

Connect the power cords.



***VALE CHANDELIER 6 SHOWN**

A—N—D

For support, please contact:

info@a-n-d.com

+1 604 563 6938



1951 Franklin St,
Vancouver, BC
Canada V5L 0C7

A-N-D.COM