

# Totem Mini Pendant Downlight Installation Guide

Pablo®

PAGE 1/3

CAUTION - We recommend this fixture be installed by a licensed Electrician.

Before assembling and installing this product, carefully read the following:

- When installing multiple lamps; these fixtures must be wired in parallel in order to achieve the best possible light quality from each lamp. Wiring in series will result in the progressive loss of performance as the lamps move further away from the building power.
- Switch off power to the junction box before installing the lamp.
- Move light switch into the OFF position.
- When mounting to the ceiling, always use appropriate anchoring hardware.
- We recommend reading the guide before you begin installation.
- Installation Guides can be downloaded from [Pablodesigns.com](http://Pablodesigns.com) in the case this document is lost or damaged.
- Do not disassemble, modify or try to repair this fixture! In order to receive technical assistance contact Pablo Designs. Any modification to the fixture will nullify the manufacturer's warranty.

## IMPORTANT INFORMATION ABOUT MATERIALS/FINISHES:

- Glass is a material which is fragile and can be easily damaged when mishandled.
- Some of the characteristics of mouth blown glass are small imperfections like; air bubbles, thickness variations, or scratches can occur during the production process. These imperfections underline the craftsmanship, the exclusivity and authenticity of hand blown Opal glass.

## CLEANING INSTRUCTIONS:

- Use only a soft cloth to clean this fixture, dampened with water or mild cleanser if required, DO NOT use alcohol, solvents, or other abrasive cleaners, as this could damage the lamp finish.

## TECHNICAL SPECIFICATIONS

High Output LED Array  
Hand-blown opal glass shades  
14 Watt  
2700-2200K DTW  
1400 Lumens  
US DRIVER: DA20W24VSM1-0000  
EU DRIVER: DS20W024VSM1UD-0000

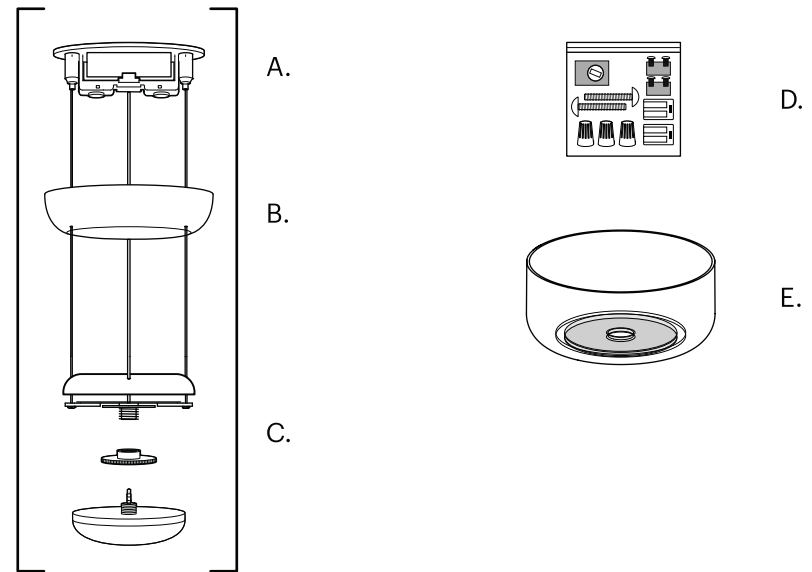
## Contents

TOTEM MINI SHIPS IN MULTIPLE BOXES IN ORDER TO ENSURE THE SAFETY OF ALL COMPONENTS.

- A. CANOPY BRACKET (DRIVER ATTACHED)
- B. CANOPY COVER
- C. LED MODULE SUBASSEMBLY

**PARTS A,B,C SHIP WITH SUSPENSION  
CABLES PRE INSTALLED.**

- D. PARTS KIT
- E. TOTEM MINI E SHADE



IF THERE ARE MISSING OR DAMAGED PARTS, PLEASE CONTACT US AS SOON AS POSSIBLE TO FILE A REPORT. CLEAR PHOTOS AND DESCRIPTIONS WILL ENABLE OUR CUSTOMER SERVICE TEAM TO QUICKLY AND EFFECTIVELY ADDRESS YOUR CLAIM.

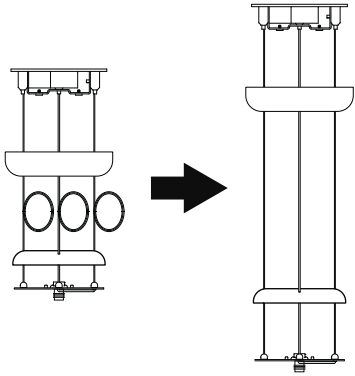
(415) 865-5000  
888 MARIN STREET  
SAN FRANCISCO, CA 94124  
[INFO@PABLODESIGNS.COM](mailto:INFO@PABLODESIGNS.COM)  
[\[INFO@PABLODESIGNS.EU\]](mailto:INFO@PABLODESIGNS.EU)

# Totem Mini Pendant Downlight Installation Guide

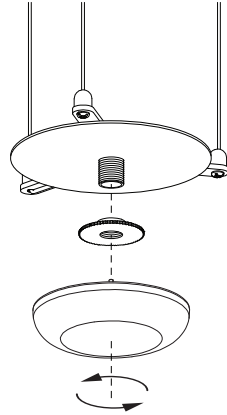
Pablo®

PAGE 2/3

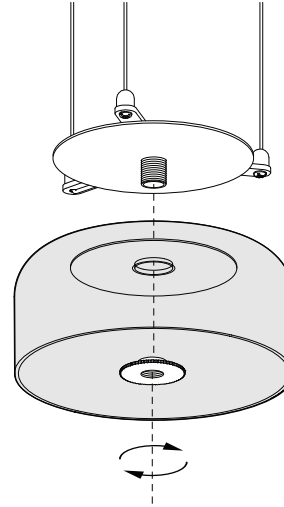
- 1** Un-spool (3) SUSPENSION CABLES and extend the lamp assembly.



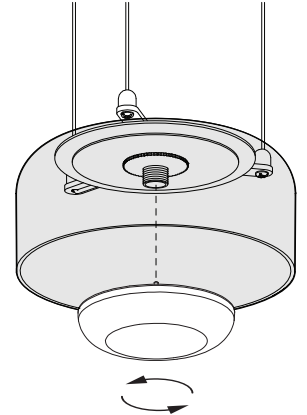
- 2** Dissassemble LED MODULE assembly (3 PARTS TOTAL).



- 3** Secure the SHADE to the lamp suspension subassembly using the SHADE COUPLER.

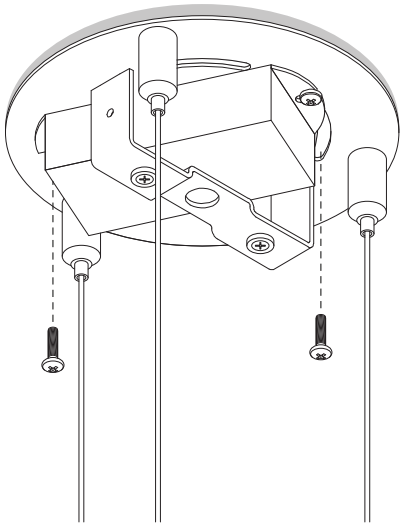


- 4** Thread DOWNLIGHT MODULE onto shade assembly.

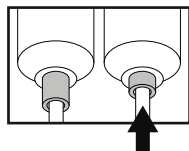
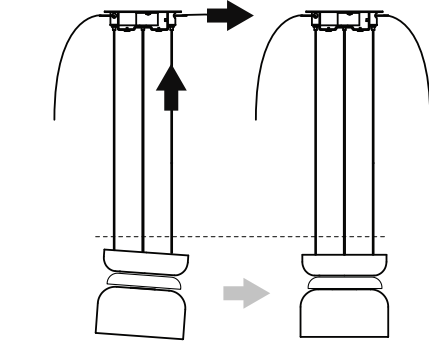


NOTE! ENSURE THE CABLES REMAIN IN A STRAIGHT PATH AND DO NOT BECOME CROSSED OR TANGLED.

- 5** Mount CANOPY BRACKET to junction box (or ceiling structure using appropriate hardware).

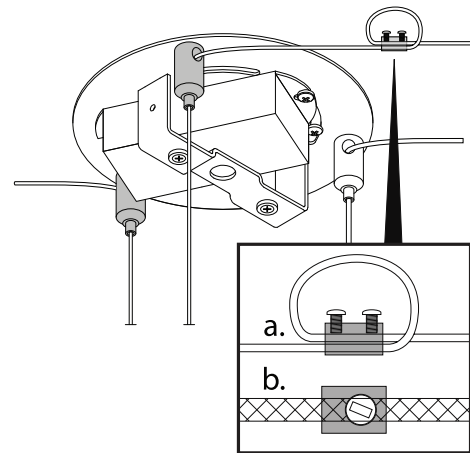


- 6** Set desired height. Adjust CABLES until lamp appears level in all directions. Trim excess cable, ensure to leave slack for minor adjustments.

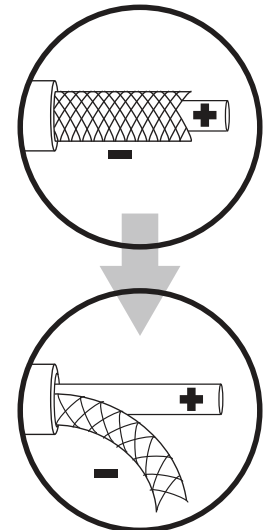


PRESS UPWARD TO RELEASE LOCKING MECHANISM.

OPTIONAL! Auxiliary strain relief can be added to cables at this point for added support these parts are included with the assembly. (Style a. for non power cables and style b. for power cable).



- 7** Unsheathe the coaxial POWER CABLE and separate INNER and OUTER conductors.



# Totem Mini Pendant Downlight Installation Guide

Pablo®

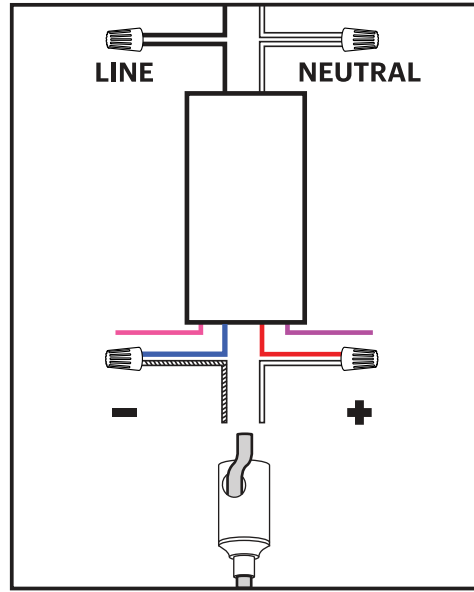
PAGE 3/3

- 9** Wire DRIVER to BUILDING:  
**[BLACK TO BLACK - LINE]**  
**[WHITE TO WHITE - NEUTRAL]**

Secure DRIVER to CANOPY BRACKET  
using included VHB TAPE

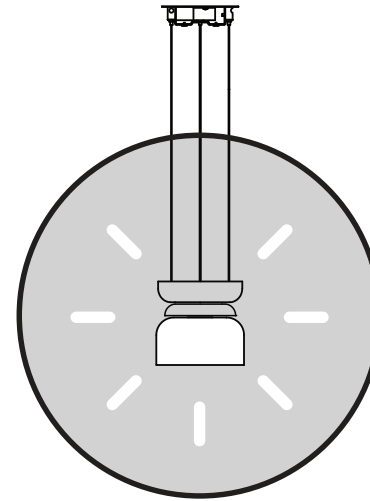
Wire FIXTURE to DRIVER:  
**[WHITE (INNER) TO RED - POSITIVE]**  
**[SILVER (OUTER) TO BLUE - NEGATIVE]**

Purple(+) and Pink(-) wires are intended  
for use in 0-10V dimming installations  
only/otherwise please isolate wires.



WIRING DIAGRAM

- 10** Test lamp to ensure all  
connections are properly made.



- 11** Secure CANOPY COVER to  
MOUNT BRACKET by magnetic  
connection to complete  
Installation.

