

CAUTION - We recommend this fixture be installed by a licensed Electrician.

Before assembling and installing this product, carefully read the following:

- When installing multiple lamps; these fixtures must be wired in parallel in order to achieve the best possible light quality from each lamp. Wiring in series will result in the progressive loss of performance as the lamps move further away from the building power.
- Switch off power to the junction box before installing the lamp.
- Move light switch into the OFF position.
- When mounting to the ceiling, always use appropriate anchoring hardware.
- We recommend reading the guide before you begin installation.
- Installation Guides can be downloaded from Pablodesigns.com in the case this document is lost or damaged.
- Do not disassemble, modify or try to repair this fixture! In order to receive technical assistance contact Pablo Designs. Any modification to the fixture will nullify the manufacturer's warranty.

IMPORTANT INFORMATION ABOUT MATERIALS/FINISHES:

- Glass is a material which is fragile and can be easily damaged when mishandled.
- Some of the characteristics of mouth blown glass are small imperfections like; air bubbles, thickness variations, or scratches can occur during the production process. These imperfections underline the craftsmanship, the exclusivity and authenticity of hand blown Opal glass.

CLEANING INSTRUCTIONS:

- Use only a soft cloth to clean this fixture, dampened with water or mild cleanser if required, DO NOT use alcohol, solvents, or other abrasive cleaners, as this could damage the lamp finish.

TECHNICAL SPECIFICATIONS

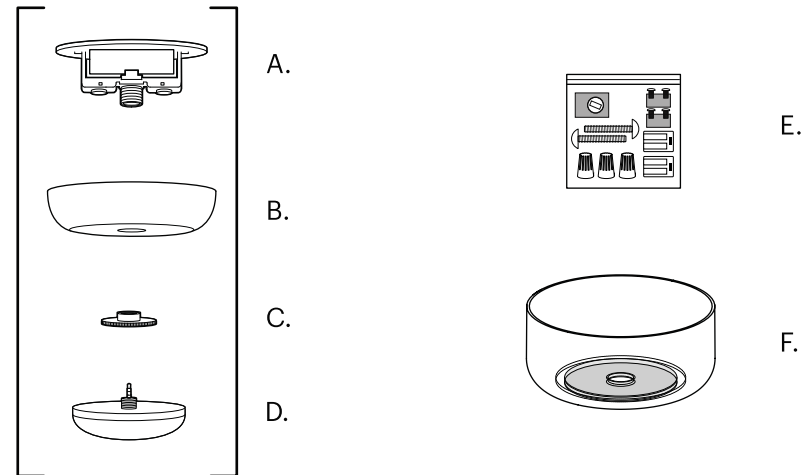
High Output LED Array
Hand-blown opal glass shades
14 Watt
2700-2200K DTW
1400 Lumens
US DRIVER: DA20W24VSM1-0000
EU DRIVER: DS20W024VSM1UD-0000

Contents

TOTEM MINI SHIPS IN MULTIPLE BOXES IN ORDER TO ENSURE THE SAFETY OF ALL COMPONENTS.

- A. CANOPY BRACKET (DRIVER ATTACHED)
- B. CANOPY COVER
- C. SHADE COUPLER

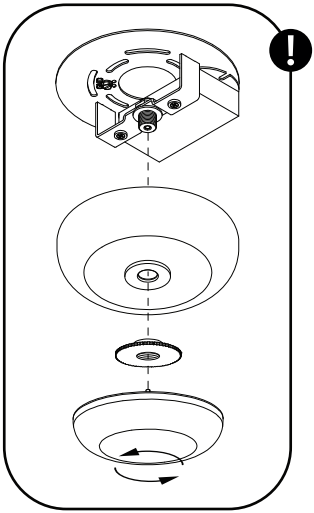
- D. LED MODULE
- E. TOTEM MINI E SHADE
- F. TOTEM MINI E SHADE



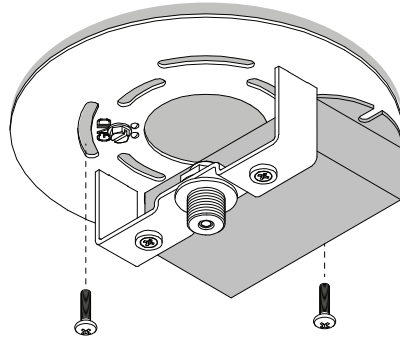
IF THERE ARE MISSING OR DAMAGED PARTS, PLEASE CONTACT US AS SOON AS POSSIBLE TO FILE A REPORT. CLEAR PHOTOS AND DESCRIPTIONS WILL ENABLE OUR CUSTOMER SERVICE TEAM TO QUICKLY AND EFFECTIVELY ADDRESS YOUR CLAIM.

(415) 865-5000
888 MARIN STREET
SAN FRANCISCO, CA 94124
INFO@PABLODESIGNS.COM
[\[INFO@PABLODESIGNS.EU\]](mailto:INFO@PABLODESIGNS.EU)

1 Separate components (4 PARTS).

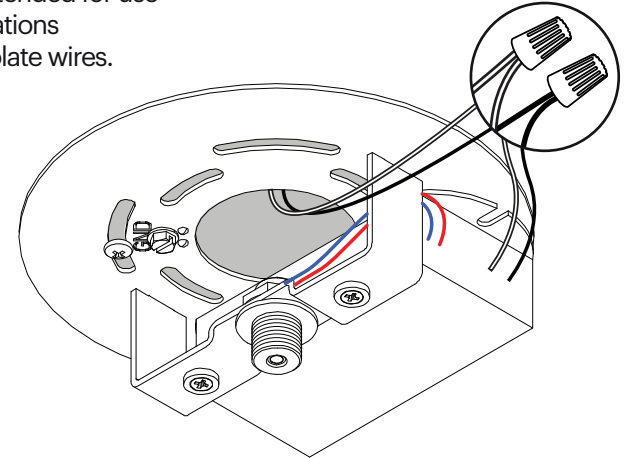


2 Secure CANOPY BRACKET to junction box or appropriate ceiling structure.

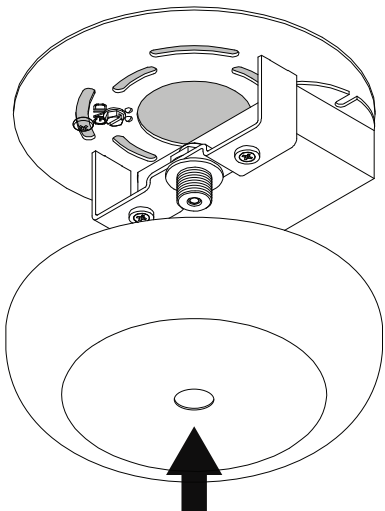


3 Wire DRIVER to BUILDING:
[BLACK TO BLACK - LINE]
[WHITE TO WHITE - NEUTRAL]

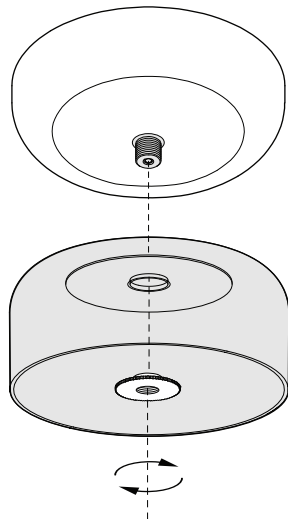
Your driver may include Purple(+) and Pink(-) wires which are intended for use in 0-10V dimming installations only/otherwise please isolate wires.



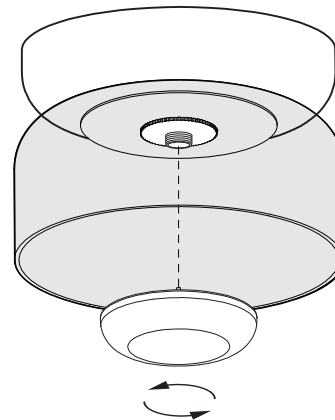
4 Secure CANOPY COVER to CEILING BRACKET via magnetic connection.



5 Secure SHADE onto CANOPY assembly with the SHADE COUPLER.



6 Thread LED MODULE onto lamp assembly to complete.



7 Test lamp to ensure all connections are properly made.

