

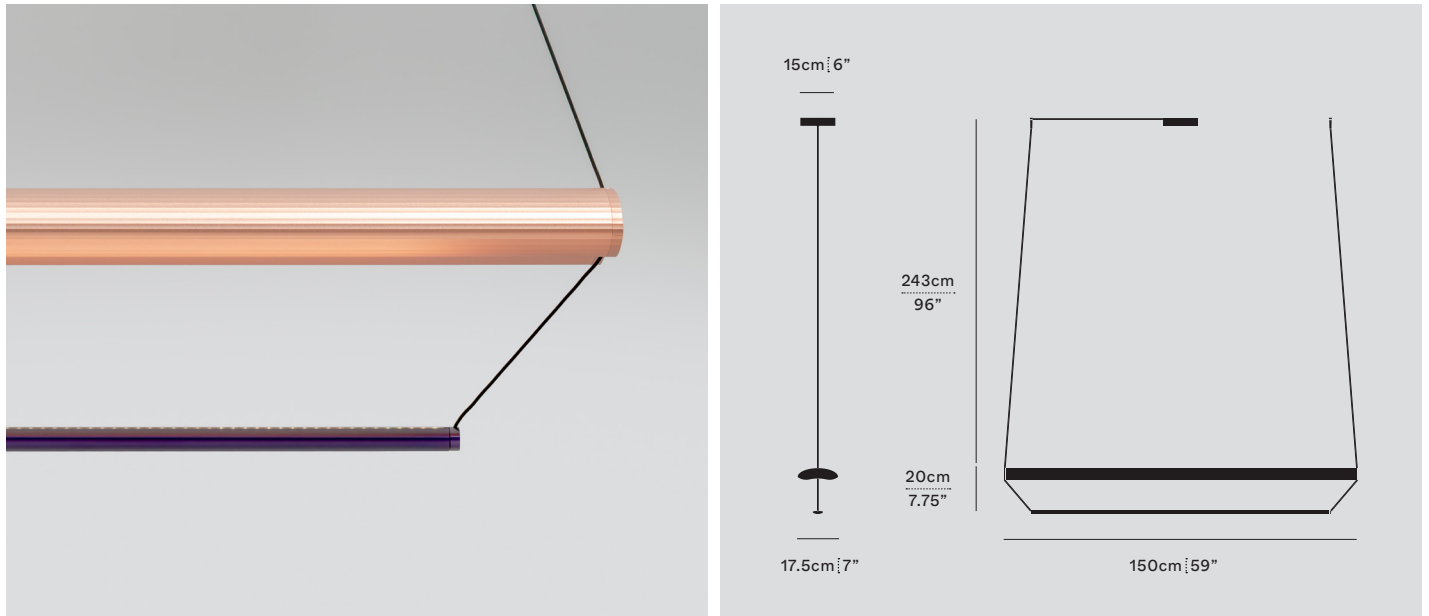
TIER 150 — P

A—N—D

PENDANT

Designed by Lukas Peet

2025



TIE-150-P-AC-AM-DW-ELV-120

A-N-D.COM

TYPE

Pendant

DIMENSIONS

150cm x 20cm x 17.5cm / 59" x 7.75" x 7"

Adjustable drop length

243cm / 96" —Custom length available

Weight

7.5kg / 17lbs

3D MODELS ON A-N-D.COM

REVIT, IES, DWG, 3DS, Rhino, Sketchup

CERTIFICATIONS



Application: dry indoor location only

TECHNICAL INFORMATION

Input Voltage

110–120V, 220–240V, 110–277V

Lamping

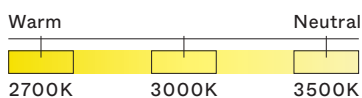
24V DC LED

CRI 90+, 50,000 hours

Controls

Phase dimming, 0-10V, DALI

COLOUR TEMPERATURE OPTIONS



DIM TO WARM



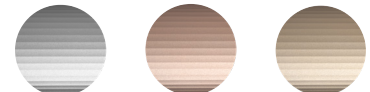
MANUFACTURED

Canada

MATERIALS

Aluminum

REFLECTOR FINISHES



Anodized Silver (AS)

Anodized Copper (AC)

Anodized Gold (AG)

LED FINISHES



Sapphire (SA)

Amethyst (AM)

Emerald (EM)



For custom finishes, please inquire.

SERIES	SIZE	TYPE	REFLECTOR FINISH	LED FINISH	CCT	PS	VOLTAGE IN
TIE	150	P	<input type="checkbox"/> AS (ANODIZED SILVER) <input type="checkbox"/> AC (ANODIZED COPPER) <input type="checkbox"/> AG (ANODIZED GOLD)	<input type="checkbox"/> SA (SAPPHIRE) <input type="checkbox"/> AM (AMETHYST) <input type="checkbox"/> EM (EMERALD)	<input type="checkbox"/> 27 (2700K) <input type="checkbox"/> 30 (3000K) <input type="checkbox"/> 35 (3500K) <input type="checkbox"/> DW (DIM TO WARM)	<input type="checkbox"/> ELV <input type="checkbox"/> 010 <input type="checkbox"/> DAL	<input type="checkbox"/> 120 <input type="checkbox"/> 230 <input type="checkbox"/> 277*

*277 only available with 010