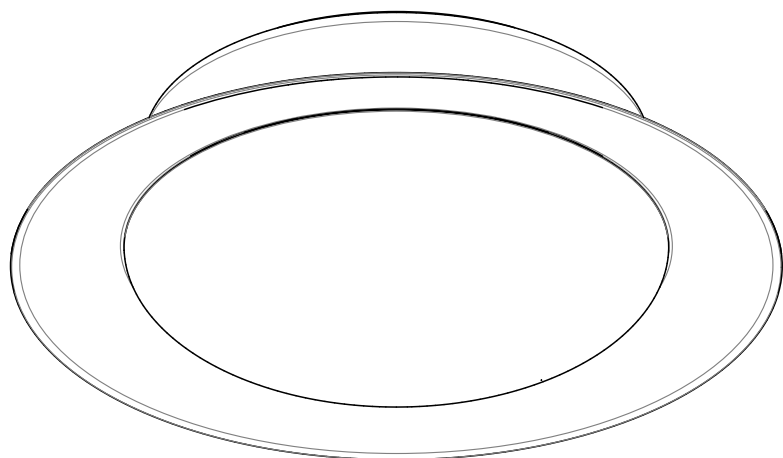


Tidal

21655 rB

AC Input



CAUTION:

Before starting, turn off power at main circuit panel.

ADVERTENCIA:

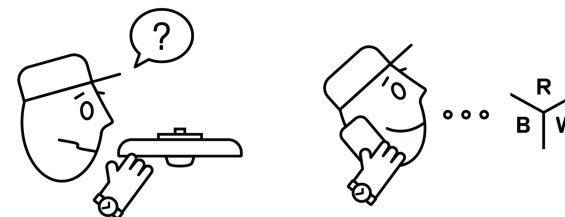
Antes de comenzar la instalación, apague la corriente en el tablero principal.

ATTENTION:

Coupez l'alimentation avant de proceder à l'installation.

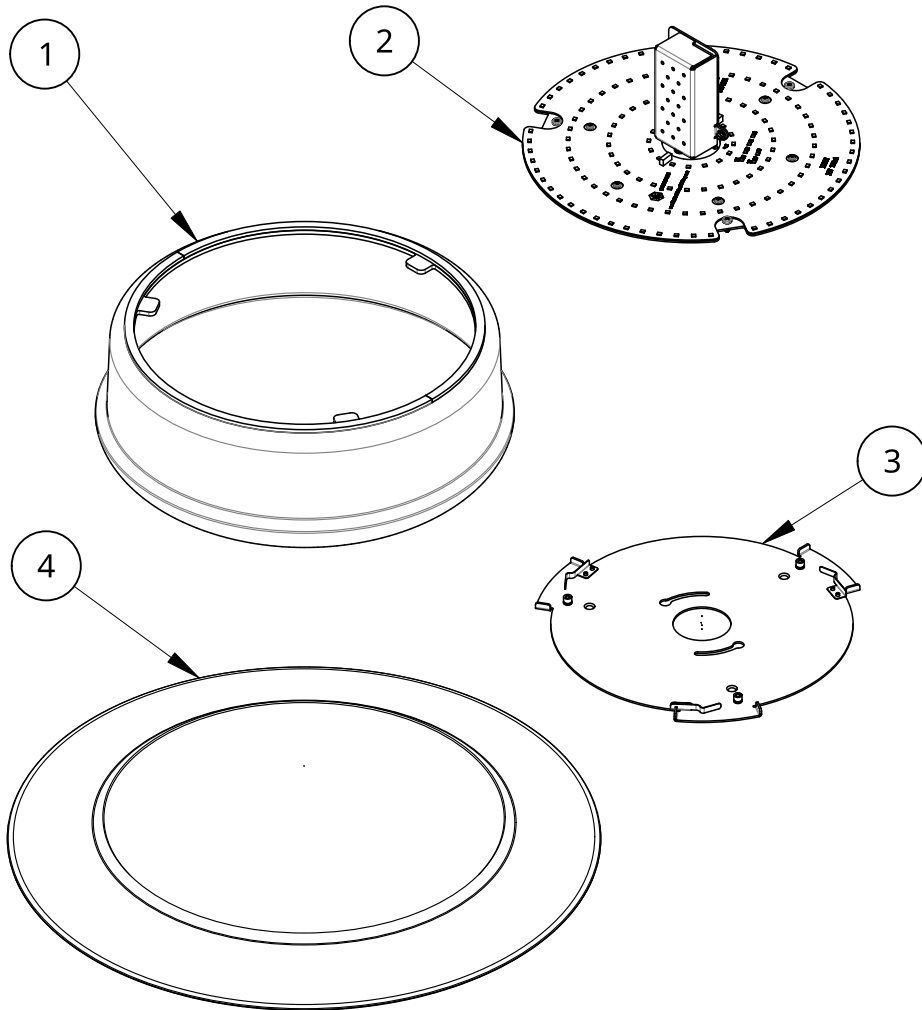


Calling for backup? Scan above to contact our team.

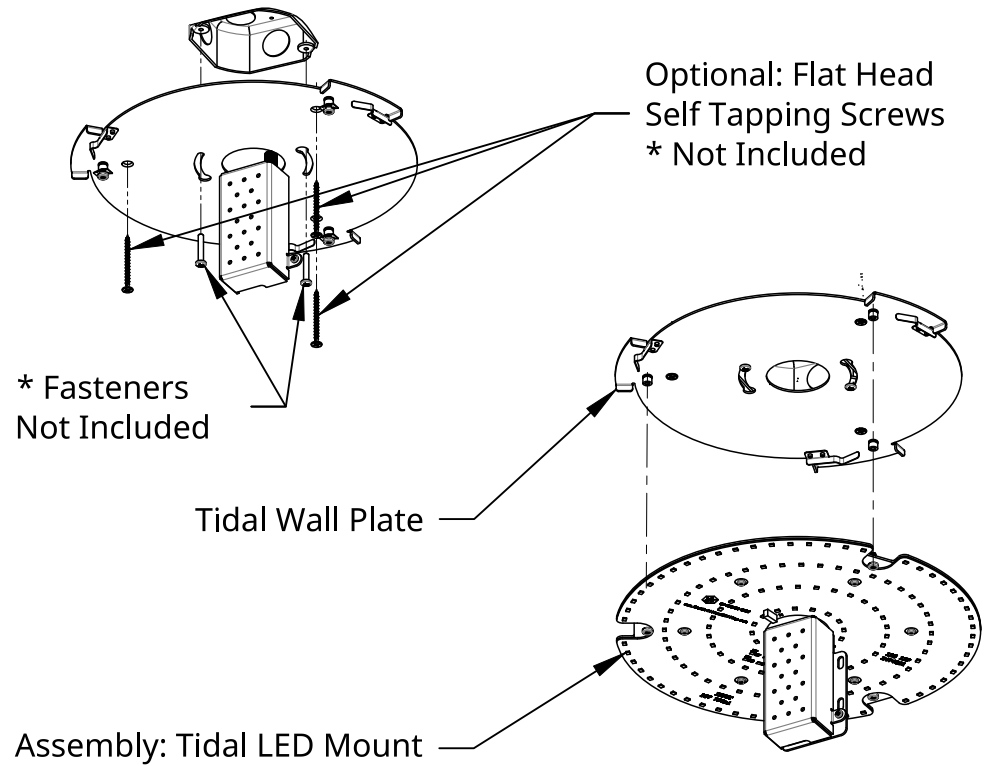


www.RBW.com
+1 212 388 0399
support@RBW.com
© 2023, RBW Studio LLC

What's Included: Part Configurations May Vary

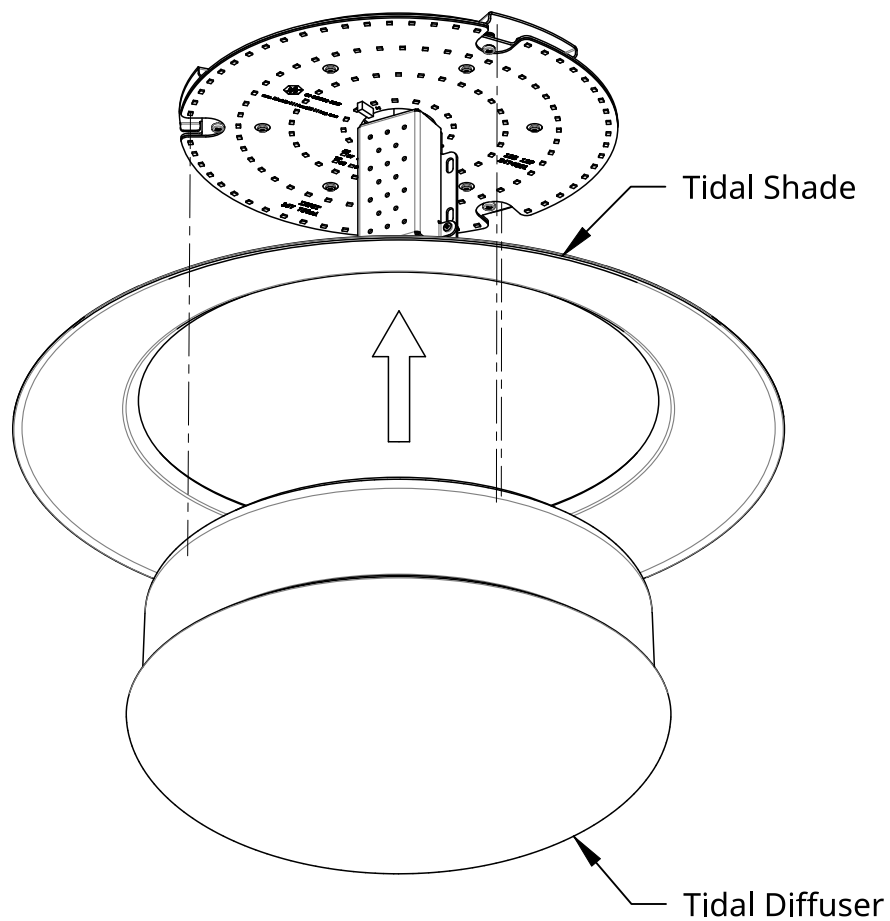


Item	Qty	Description
1	1	Assembly: Tidal Diffuser
2	1	Assembly: Tidal LED Mount
3	1	Tidal Wall Plate
4	1	Tidal Shade



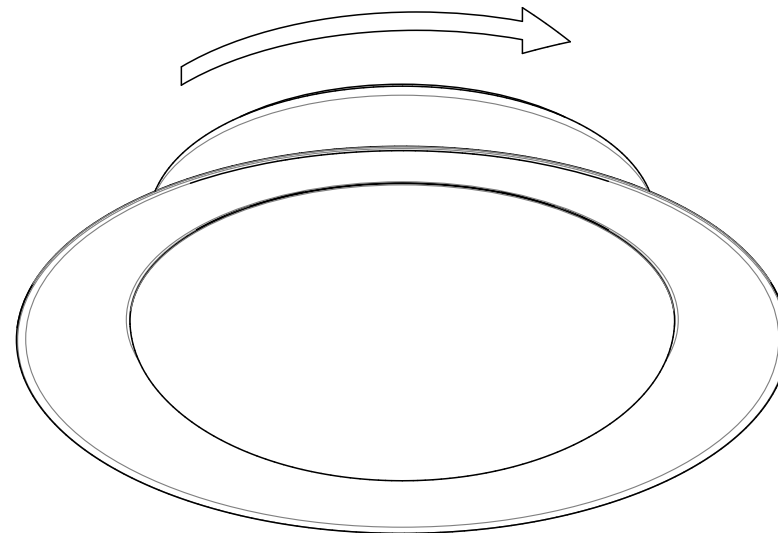
Installation - Wall Plate & LED Mount Plate

1. Fasten Wall Plate to desired mounting surface
2. Connect Black (L) and White (N) driver leads to mains voltage and connect to power feed and connect ground strap (GND).
3. Raise Tidal LED Mount Plate and fasten 3 captive screws to Wall Plate.



Installation - Diffuser & Shade

4. Rest Shade on Diffuser.
5. Raise Diffuser & Shade up to LED Mount Plate.
6. Align Tabs from Diffuser with cutouts in LED Mount Plate.



Installation - Diffuser & Shade

7. Twist Diffuser Clockwise until it snaps into place with locking springs.
8. Congratulations! End of guide.