

Pablo®

SWELL

SINGLE

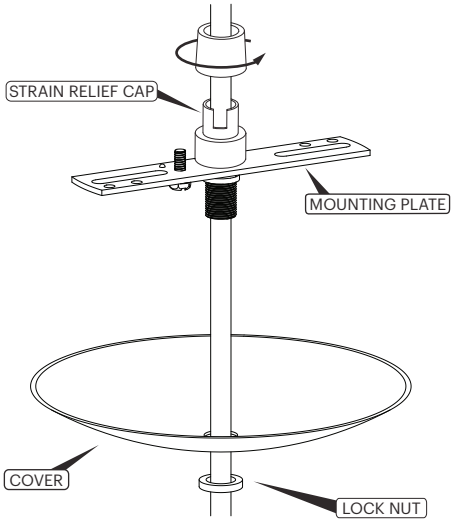
120V ASSEMBLY & INSTALLATION INSTRUCTIONS



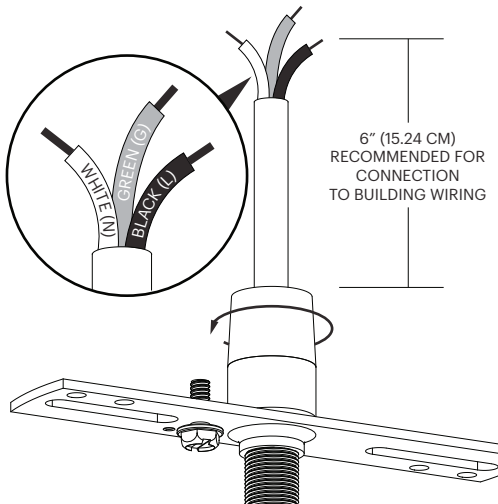
SWELL SINGLE

IMPORTANT: WE RECOMMEND CEILING MOUNTING BE INSTALLED BY AN ELECTRICIAN

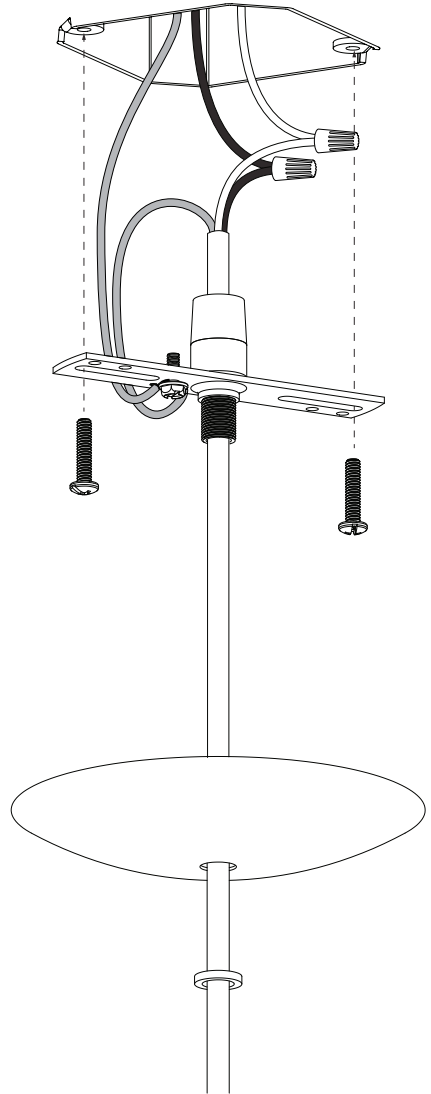
- 1** LOOSEN STRAIN RELIEF CAP AND FEED CORD THROUGH ALL COMPONENTS



- 2** TIGHTEN STRAIN RELIEF CAP AT DESIRED HEIGHT

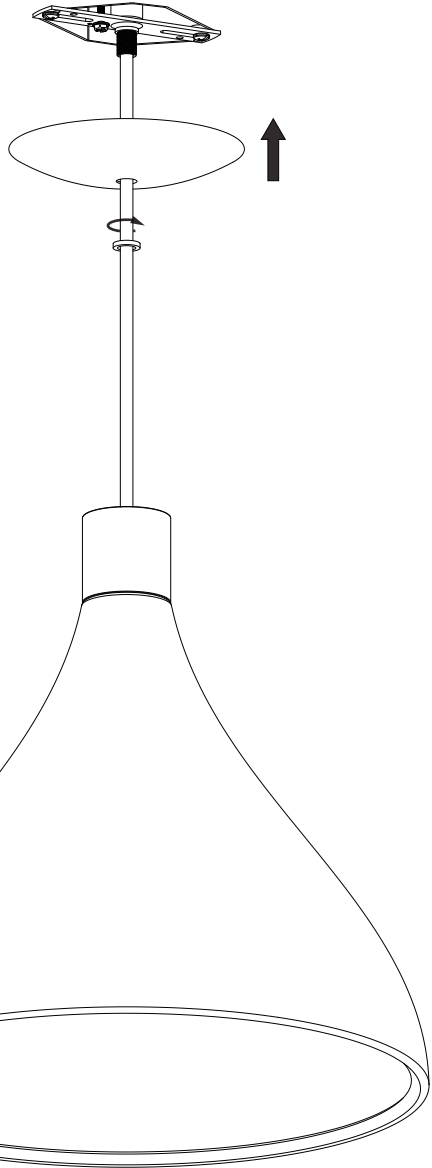


- 3** ATTACH MOUNTING PLATE TO JUNCTION BOX. CONNECT BUILDING WIRING TO FIXTURE WIRING. CONNECT FIXTURE GROUND WIRE AND BUILDING GROUND WIRE TO GREEN GROUND SCREW ON MOUNTING PLATE



SWELL SINGLE

- 4 SLIDE COVER UP TO CEILING, THEN SECURE COVER TO PLATE WITH THE LOCK NUT



BULB TYPE
PAR30SN-E26-14.5W-3000K-40°



CORD LENGTH
10FT (305CM)

**ELECTRONIC
LOW VOLTAGE DIMMER
RECOMMENDED**

CARE INSTRUCTIONS
WIPE CLEAN WITH A SOFT
DAMP CLOTH. AVOID
AMMONIA-BASED CLEANERS

Pablo®

SWELL

SINGLE

INFO@PABLODESIGNS.COM
888 MARIN STREET
SAN FRANCISCO, CA
94124

PABLODESIGNS.COM