

A—N—D

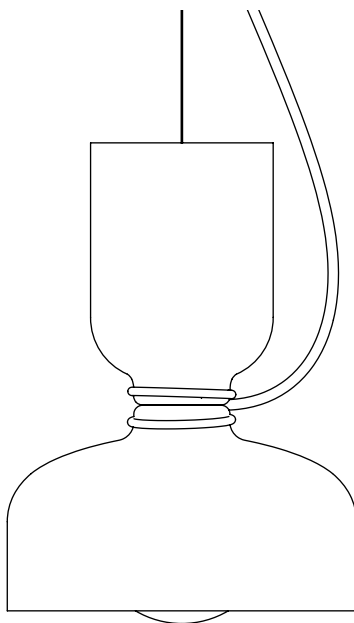
# SPOTLIGHT VOLUMES SERIES PENDANT

DESIGNER  
LUKAS PEET

INSTRUCTIONS



SCAN HERE



WORLD MARKET



A-N-D.COM

# INSTALLATION NOTES

---

The luminaire is powered by line voltage and is rated for inputs between 220-240VAC.

Two people are recommended to install the Spotlight Pendant; one to gently support the luminaire while the other makes the electrical connections and mechanical connections to the ceiling.

For questions regarding installation, please email [info@n-d.com](mailto:info@n-d.com)



---

## CARE INSTRUCTIONS

Always wear clean gloves when handling the luminaire.

Clean painted surfaces with a soft, lint-free cloth. Clean glass with a soft lint-free cloth and a standard glass cleaner.

For replacement glass globes, contact A-N-D directly.

Never exceed the recommended max wattage and voltage (2x12W, 240V) as doing so may damage the luminaire or cause a fire.



---

## WARNING

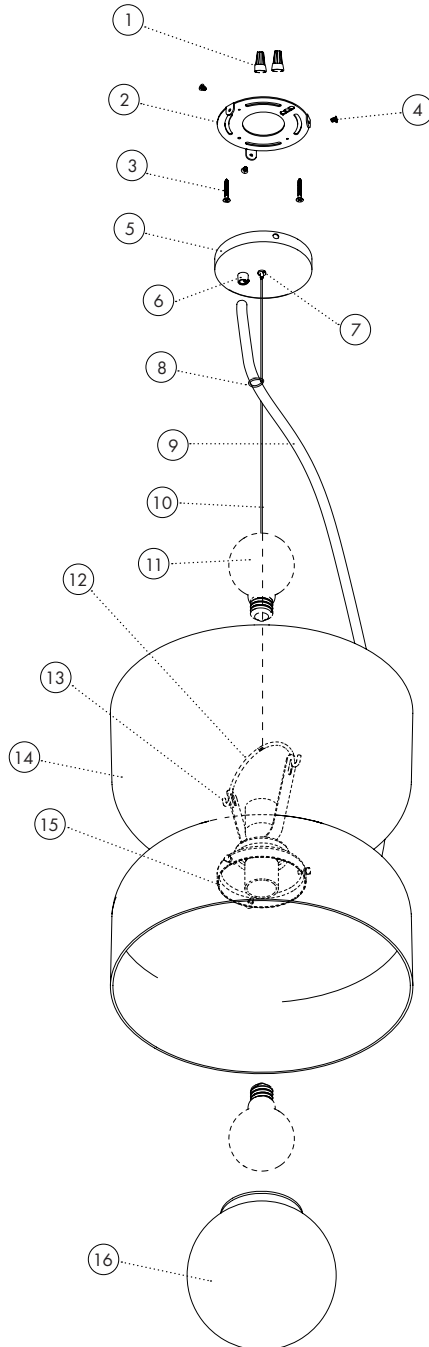
The luminaire must be installed by a qualified electrician in a dry indoor location.

Failure to meet any or all of these criteria will not only damage the luminaire, but will void both the warranty and all of its certifications.

# COMPONENTS

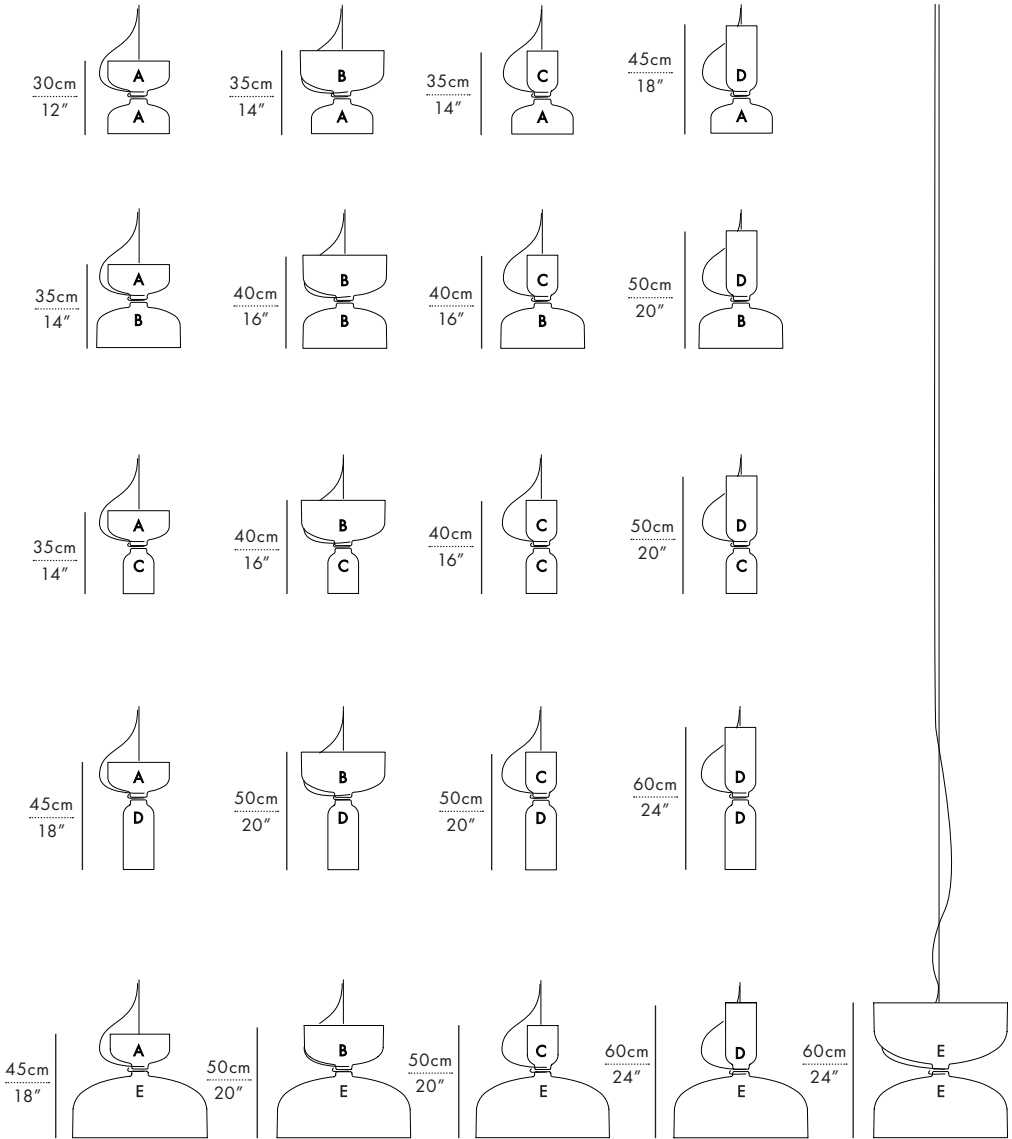


- ① WIRE NUT (2)
- ② BACKPLATE
- ③ #8 SCREWS (2)
- ④ CANOPY
- ⑤ CANOPY SCREW (3)
- ⑥ STRAIN RELIEF
- ⑦ CABLE GRIPPER
- ⑧ O-RING (4)
- ⑨ ELECTRICAL CORD
- ⑩ SUSPENSION CABLE
- ⑪ A19 LAMP (2)  
(NOT INCLUDED)
- ⑫ HANGING HARP
- ⑬ HARP HOLDER
- ⑭ LAMP SHADE (2)
- ⑮ GLASS HOLDER  
\*A+B+E SHADE ONLY
- ⑯ GLASS GLOBE  
\*A+B+E SHADE ONLY



# SPOTLIGHT OPTIONS

The Spotlight Volumes Pendant  
is available in 21 combinations:



# PREPARATION



## STEP 1

**Determine the drop height of the fixture and trim excess cable.**

**Suspension cable length:**

Add an extra 15cm/6" to the required length. This allows for adjustment at the end.

**Electrical cord length:**

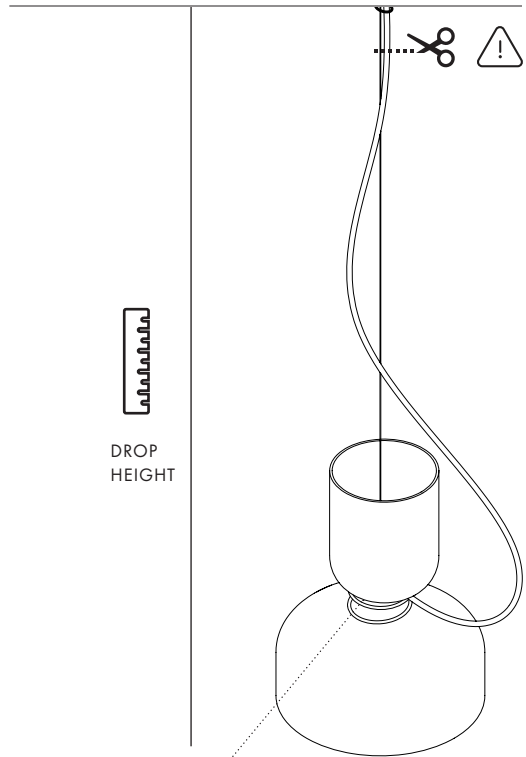
Add an extra 45cm/18" to the drop height. This allows for slack, and electrical connections inside the canopy.

**⚠ Caution!**

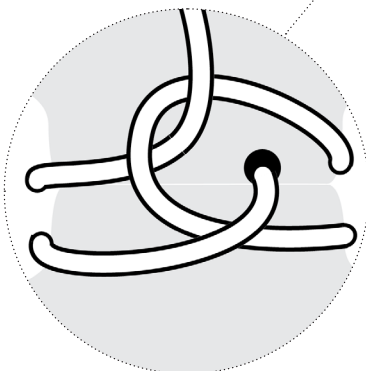
The electrical cord must not bear any weight.

**⚠ Caution!**

The electrical cord must be left long, and adjusted at the end of the installation. As it affects the balance of the luminaire.



KNOT DETAIL



**\*DO NOT UNKNOT**

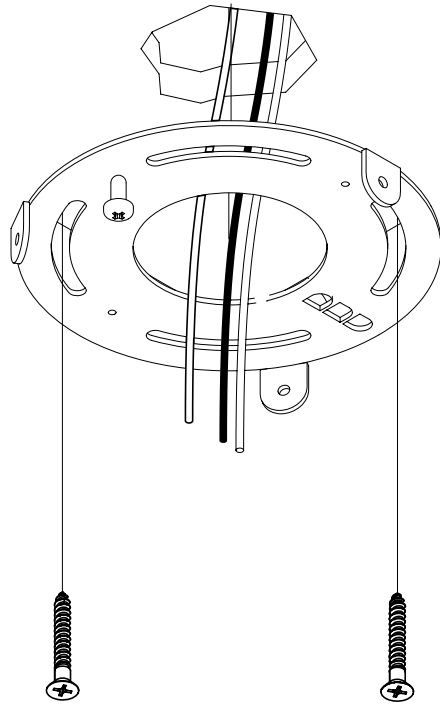
# INSTALLATION

---

## STEP 2

**Mount the backplate to the ceiling.**

Use the provided #8 screws.



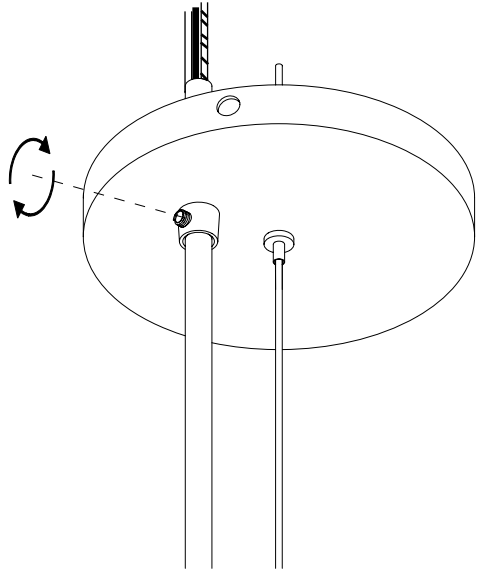
---

### STEP 3

**Pull the electrical cord through the strain relief and the suspension cable through the cable gripper.**

Secure the electrical cord in position with the set screw on the strain relief.

If needed, release the suspension cable from the cable gripper by pushing the center pin inwards while pulling the cable backwards.



# INSTALLATION

## STEP 4

**Connect the luminaire to input power. Connect ground.**

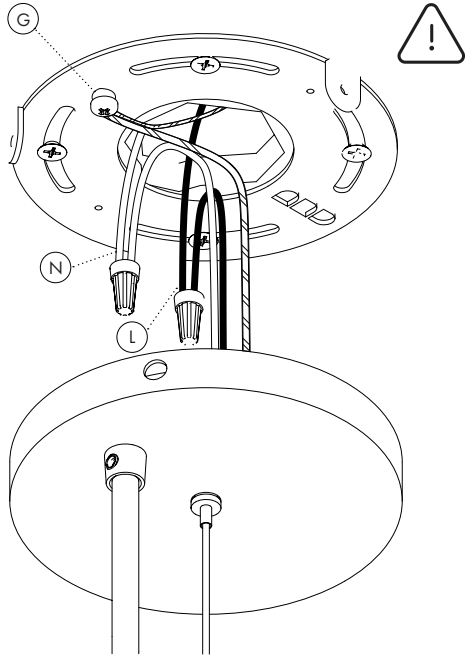
Black/brown wire = **Line** (L)

White/blue wire = **Neutral** (N)

Green screw = **Ground** (G)

**⚠ Caution!**

Ensure that the power is disconnected at the breaker.

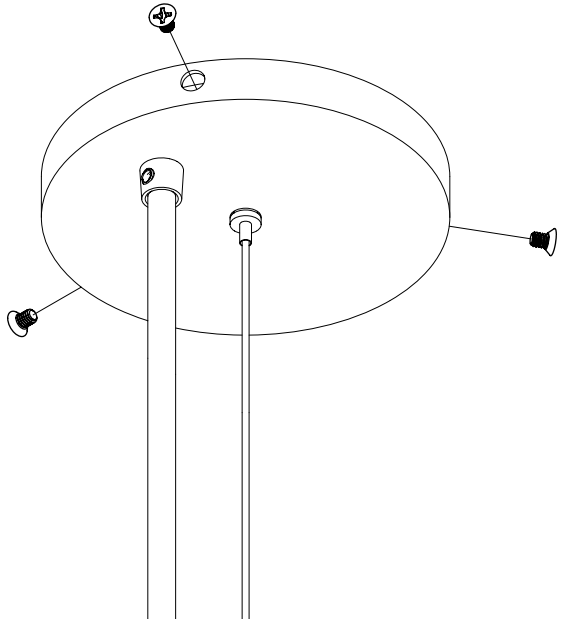


---

**STEP 5**

**Attach the canopy to the backplate.**

Use the provided colour matched canopy screws.



# INSTALLATION

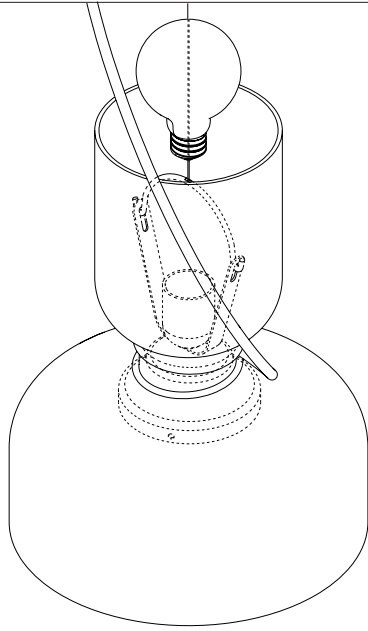
---

## STEP 6

### Install the lamps into both sockets.

Dimmable LED A19 lamps are recommended for use with this luminaire.

Lamps not included.

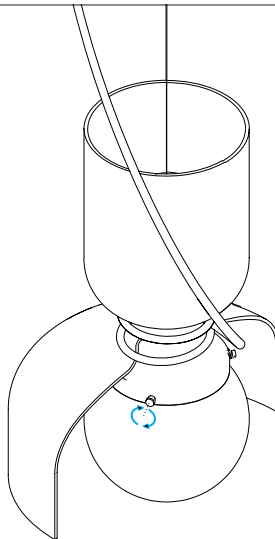


---

## STEP 7

### Install the glass globe, (A + B + E Shade only).

Turn the thumb screws on the side of the globe holder until the glass globe is securely held in place.

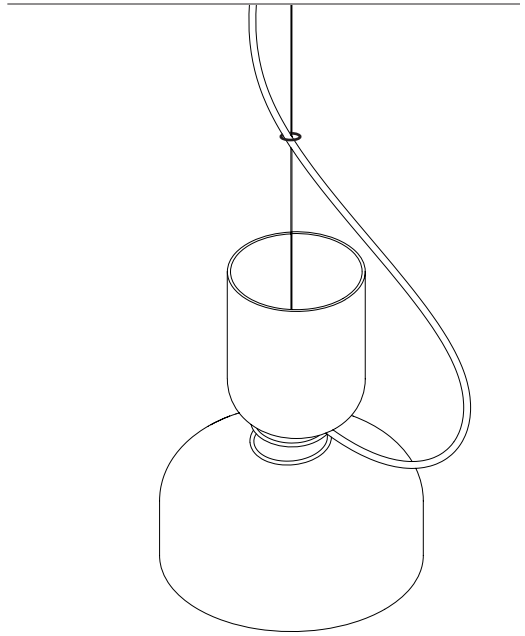


**STEP 8**

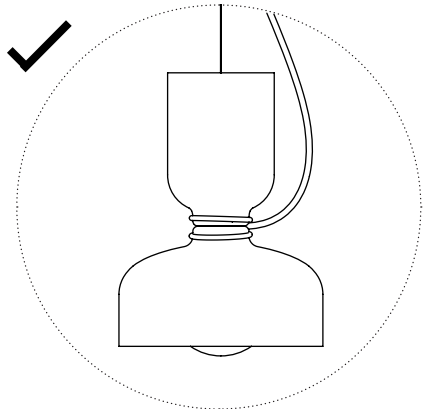
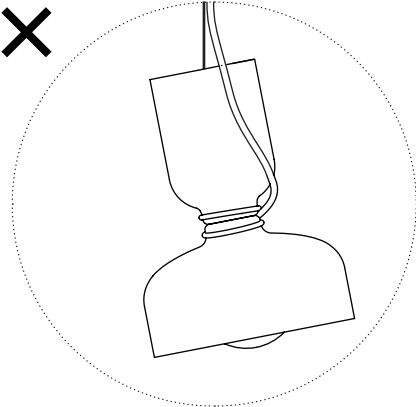
**Adjust the position of the electrical cord and balance the luminaire.**

Use the four O-rings to set the position of the electrical cord.

The goal is to adjust the slack on the electrical cord until it is loose and not pulling the luminaire out of balance.



**ELECTRICAL CORD BALANCE**



# A—N—D

For support, please contact:

[info@a-n-d.com](mailto:info@a-n-d.com)

+1 604 563 6938



1951 Franklin St,  
Vancouver, BC  
Canada V5L 0C7

**A-N-D.COM**