

A—N—D

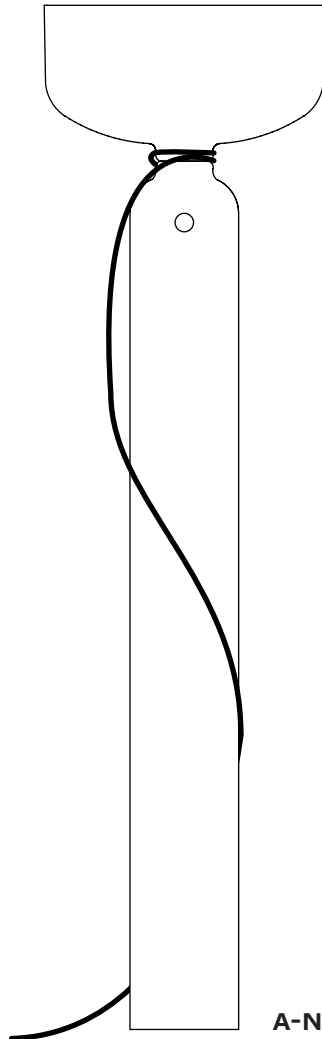
SPOTLIGHT VOLUMES SERIES FLOOR

DESIGNER
LUKAS PEET

INSTRUCTIONS



SCAN HERE



NORTH AMERICA + WORLD

A-N-D.COM



CARE INSTRUCTIONS

Always wear clean gloves when handling the luminaire.

Clean painted surfaces with a soft, lint-free cloth. Clean glass with a soft lint-free cloth and a standard glass cleaner.

For replacement glass globes, contact A-N-D directly.

Never exceed the recommended max wattage and voltage as doing so may damage the luminaire or cause a fire.

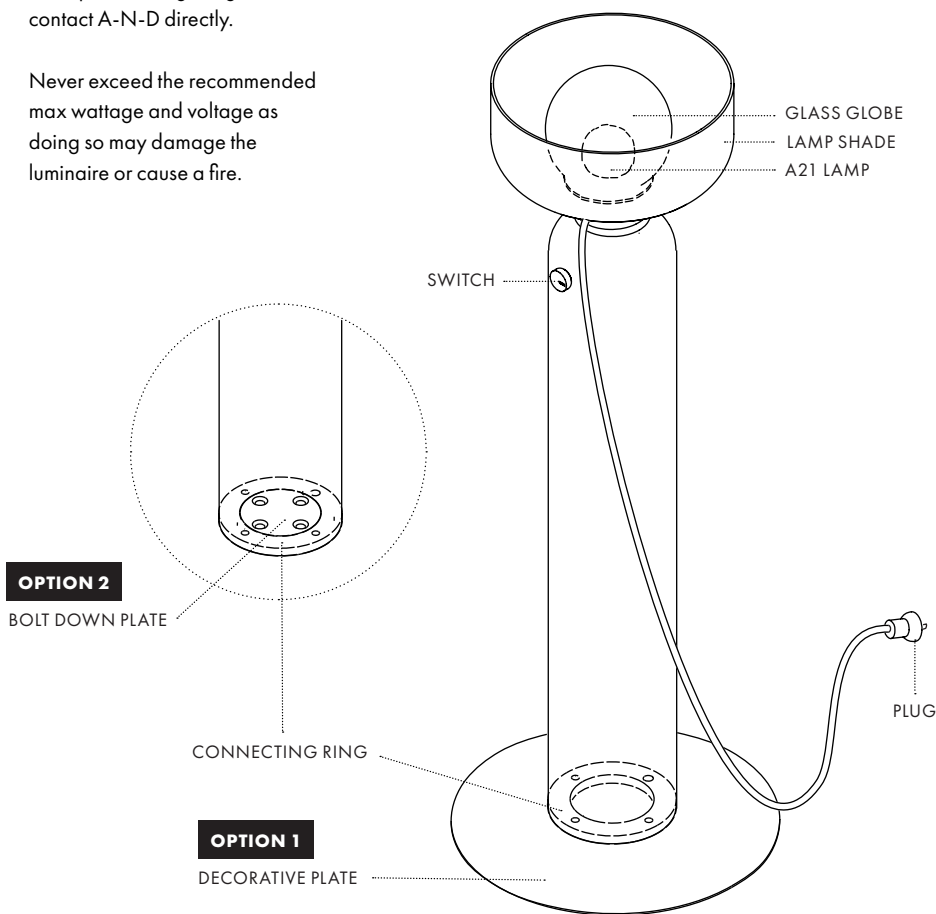
ASSEMBLY OPTIONS

OPTION 1

Free standing: A decorative plate is attached to the bottom of the Spotlight Floor to maintain balance.

OPTION 2

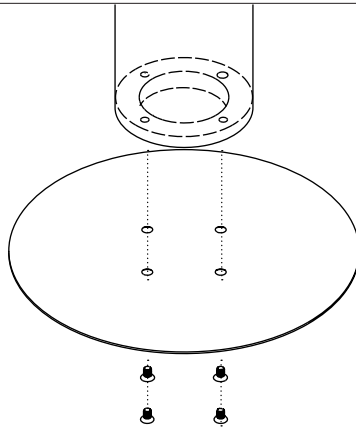
Bolt down: intended for situations requiring extra security, the Spotlight Floor is bolted down to prevent movement.



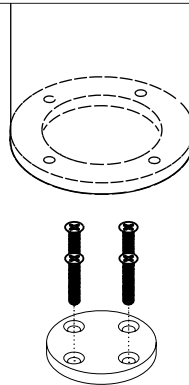
OPTION 1
ASSEMBLY – FREE STANDING

Attach the decorative mirror plate.

Use the provided M8 screws.
Turn the screws clockwise until the plate is tight to the bottom of the luminaire.

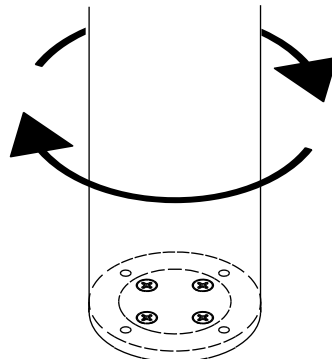

OPTION 2
ASSEMBLY – BOLT DOWN

Attach the bolt-down plate to the floor.



Attach the Spotlight floor to the bolt-down plate.

Turn the floor lamp clockwise until it is tight.



OPTION 1

OPTION 2

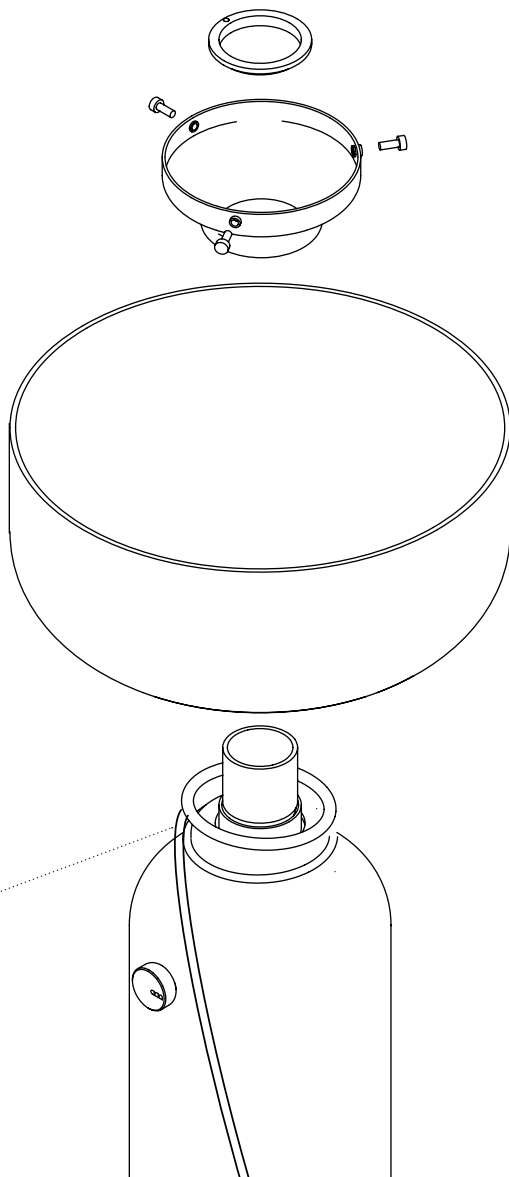
Attach the lamp shade and glass holder to the luminaire.

Place lamp shade and glass holder over the socket assembly.

Secure the parts with the threaded metal ring.

Turn the threaded metal ring clockwise until the lampshade and glass holder are tight.

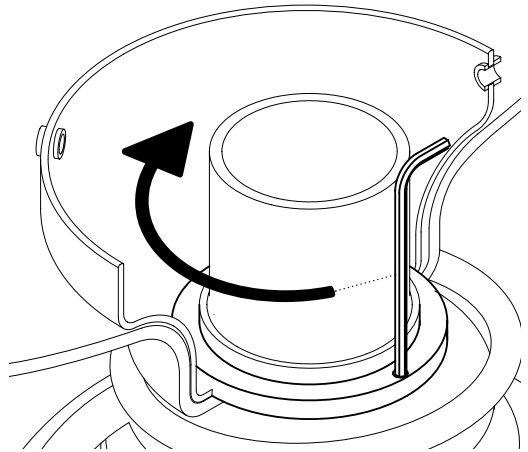
*** Glass holder for A + B + E Shade only**



Tighten the metal ring with the aid of the hex key.

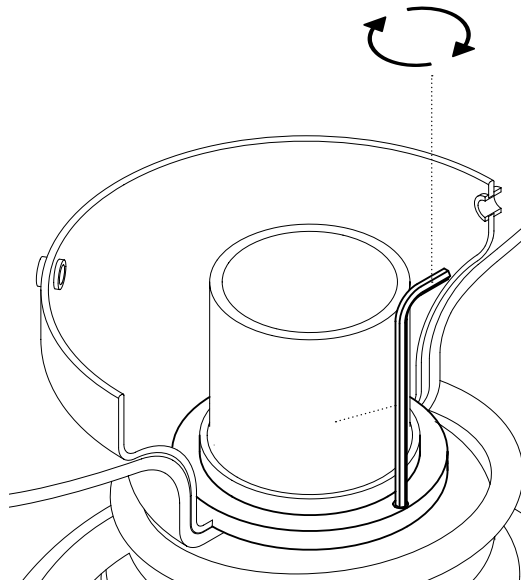
Insert the hex key into the setscrew on the socket ring. Use the hex key to aid in turning the socket ring until the the assembly is tight.

Space for assembly is limited, the hex key provides extra grip needed to spin and tighten the socket ring.



Prevent the parts from becoming loose.

Use the hex key to tighten down the setscrew in the metal ring. Tighten the set screw until it digs into the socket assembly.



INSTALLATION

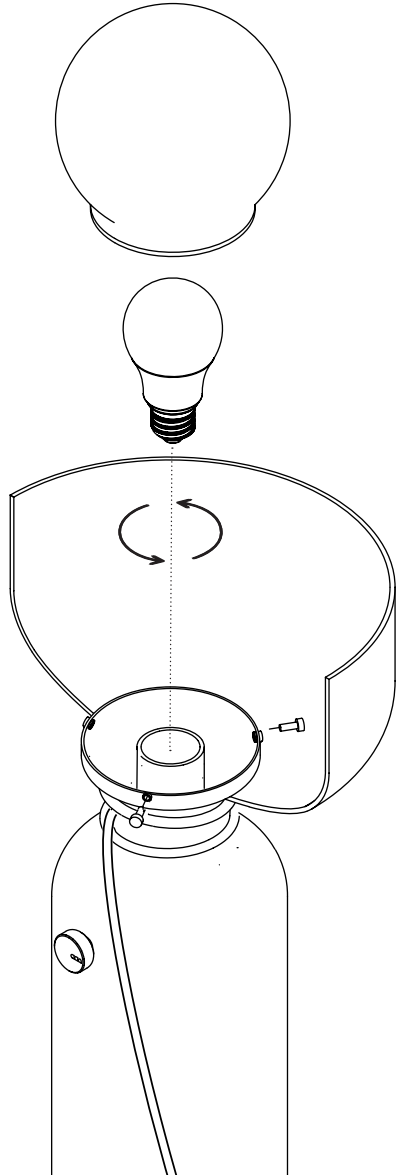
Install lamping and glass globe.

To install lamping, turn the clockwise lamp into the socket.

If the lamp does not turn on when the power is connected, try threading the lamp further into the lamp socket.

To attach the glass globe, turn the the thumb screws clockwise into the globe holder. Turn all three until the glass globe is secure.

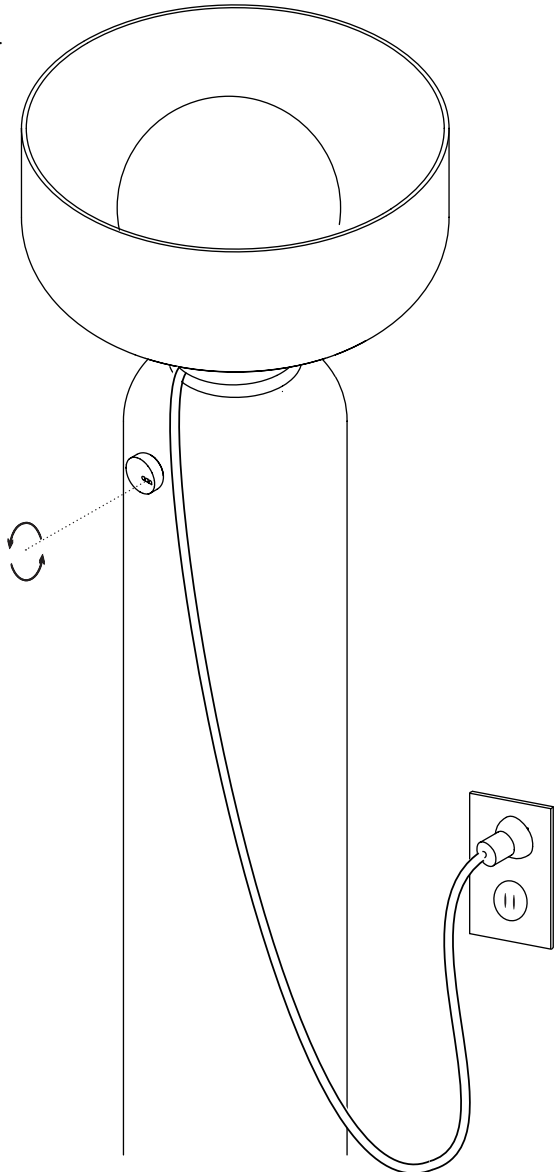
*** Glass globe for
A + B + E Shade only**



ON / OFF + DIMMING

Plug the Spotlight into the wall receptacle.

Rotate the knob to turn the Spotlight on, off and to adjust the brightness.



A—N—D

For support, please contact:

info@a-n-d.com

+1 604 563 6938



1951 Franklin St,
Vancouver, BC
Canada V5L 0C7

A-N-D.COM