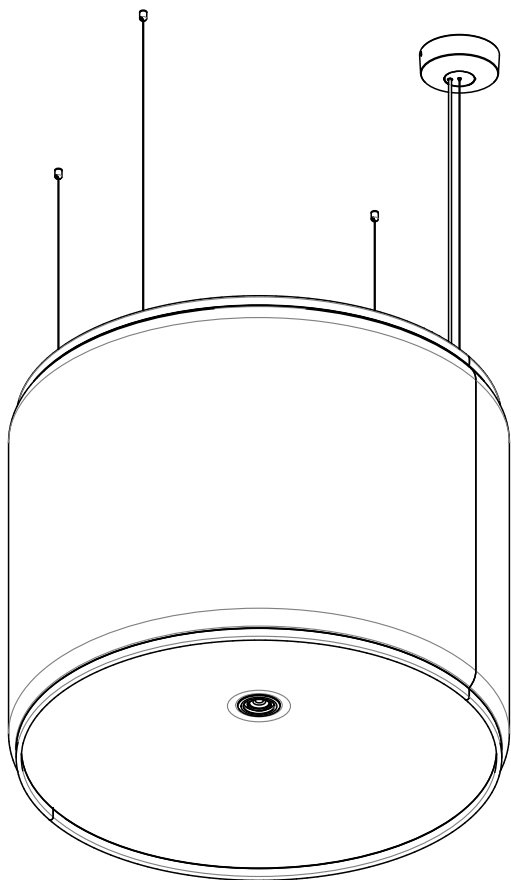


Spool

20746 rA

Pendant



CAUTION:

Before starting, turn off power at main circuit panel.

ADVERTENCIA:

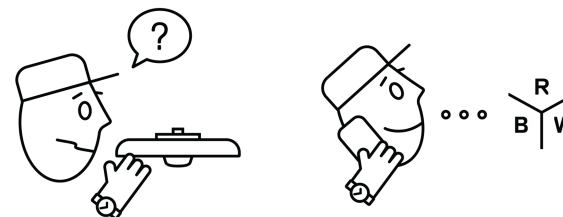
Antes de comenzar la instalación, apague la corriente en el tablero principal.

ATTENTION:

Coupez l'alimentation avant de proceder à l'installation.

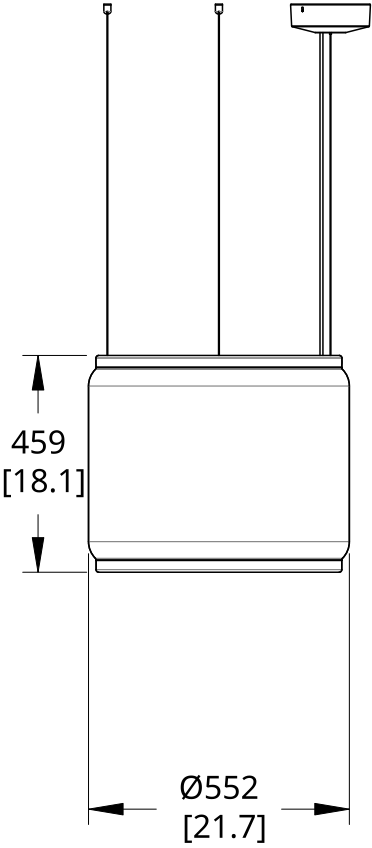


Calling for backup? Scan above to contact our team.

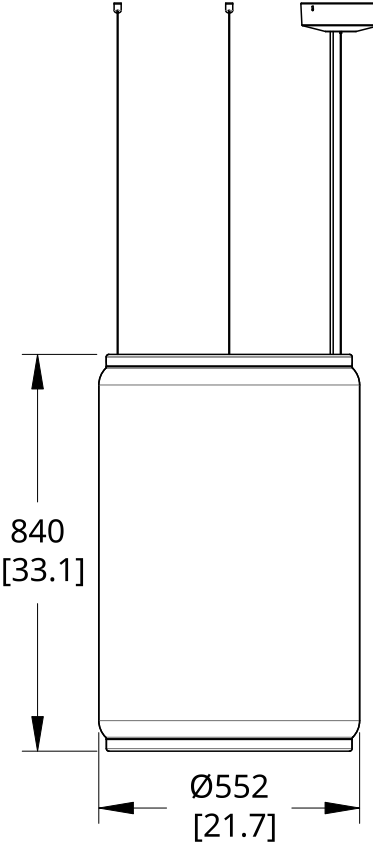


www.RBW.com
+1 212 388 0399
support@RBW.com
© 2023, RBW Studio LLC

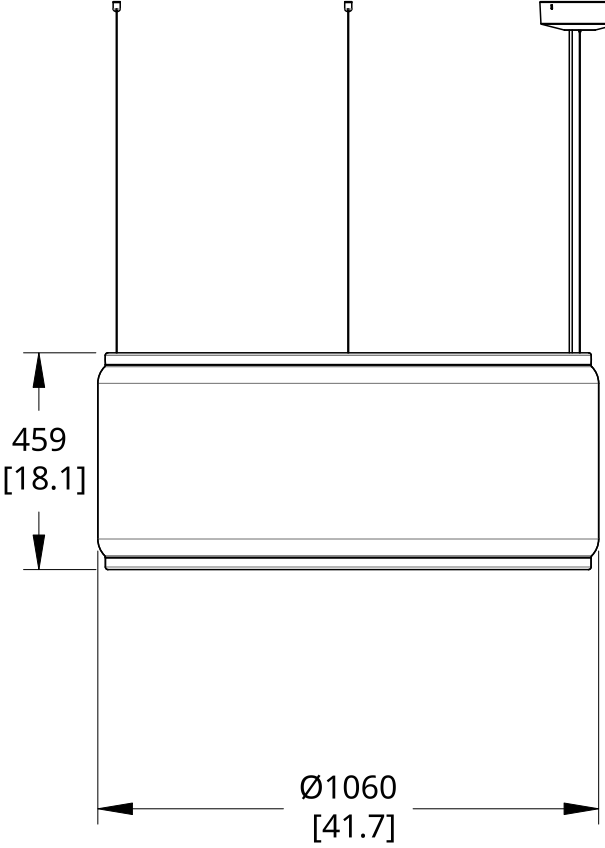
Spool: Configurations



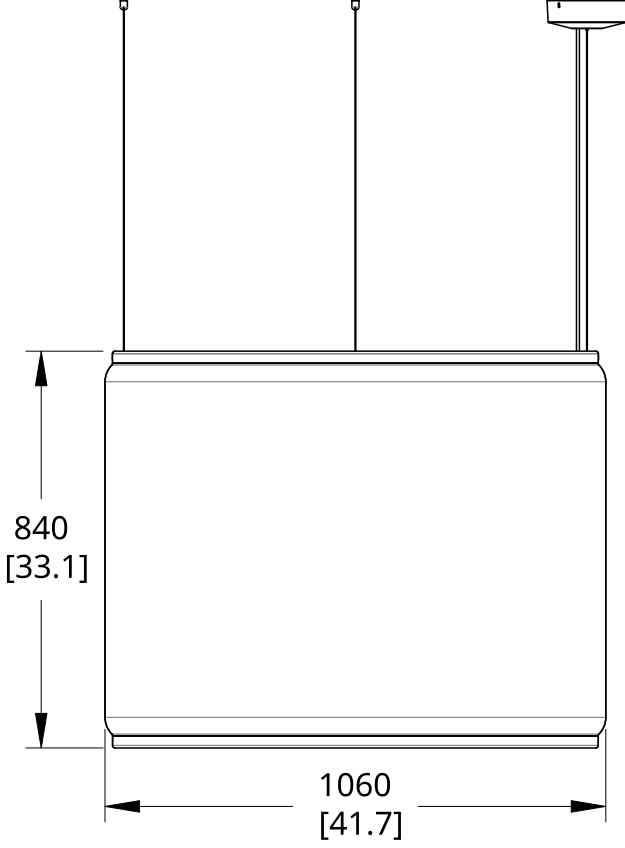
20in Dia x 15in H



20in Dia x 30in H



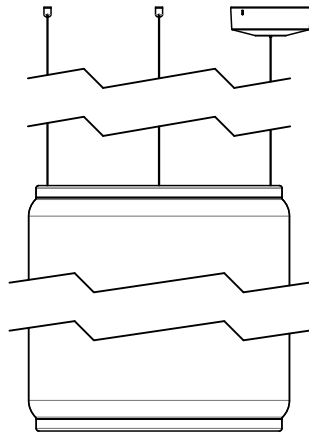
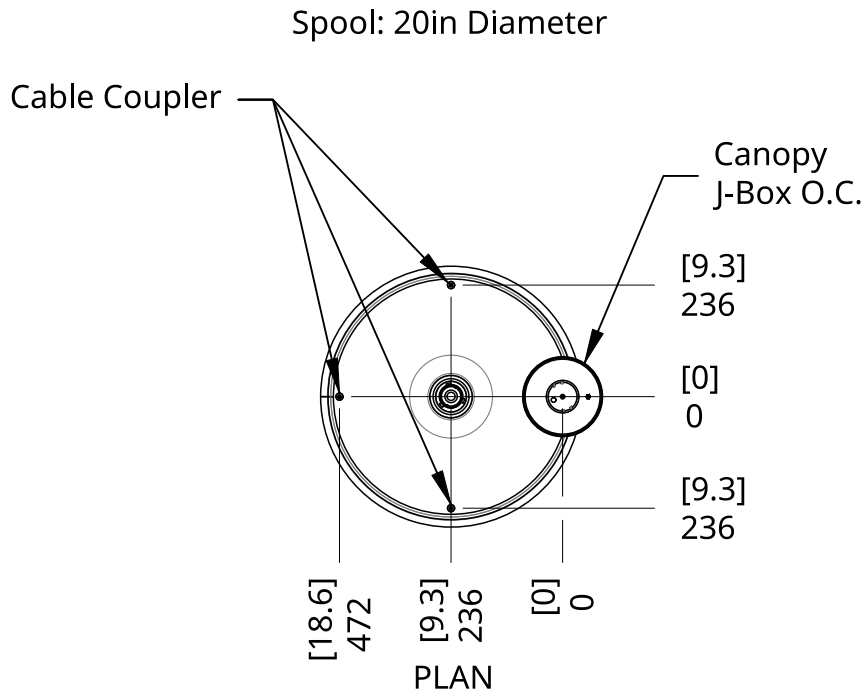
40in Dia x 15in H



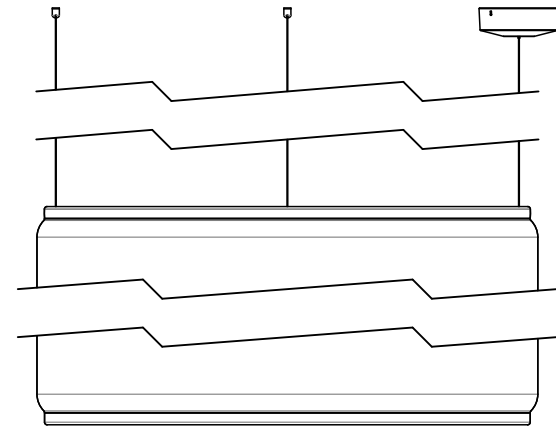
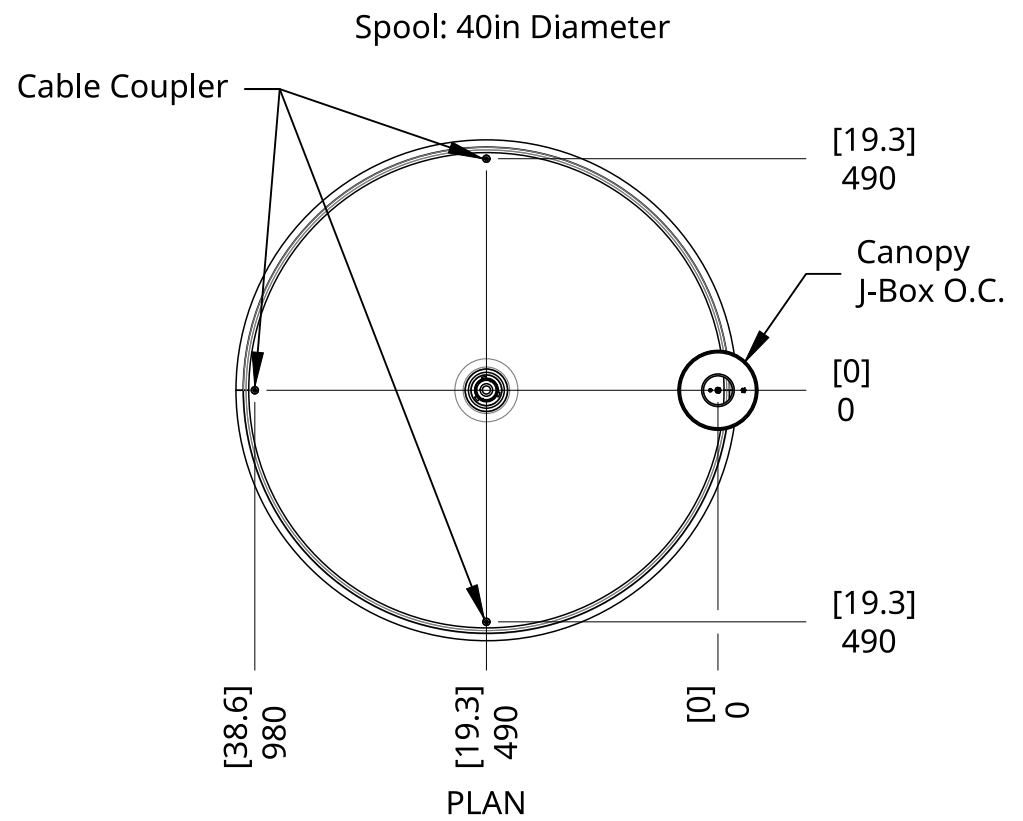
40in Dia x 30in H

Hang Points and Junction Box Locations

NOTE: 1:1 Scale template provided with luminaire

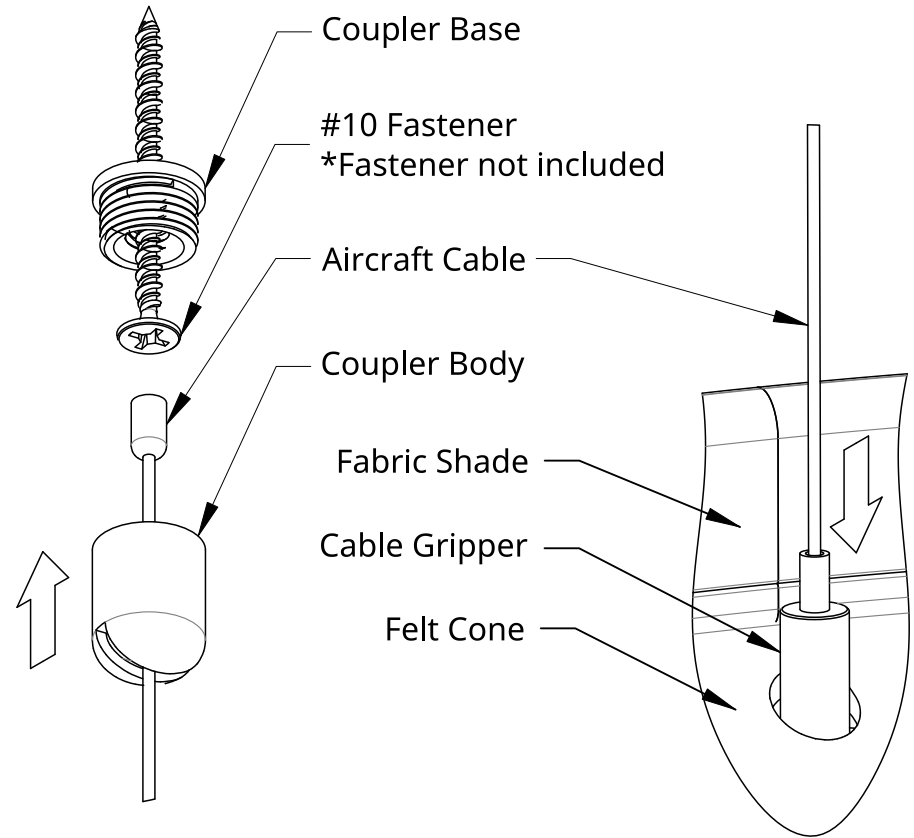
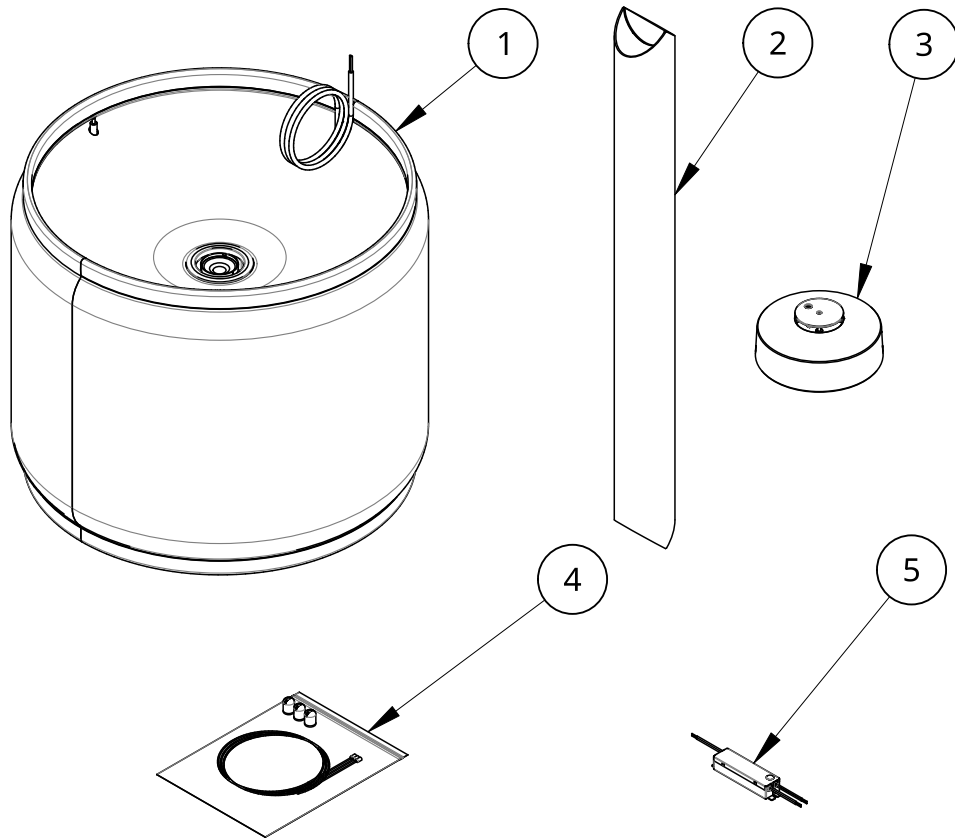


ELEVATION



ELEVATION

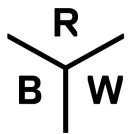
What's Included: Part Configurations May Vary



Installation - Ceiling Coupler

1. Use appropriate fastener to secure Coupler Base to desired mounting location.
2. Pass Aircraft Cable through Coupler Body.
3. Thread Coupler Body onto Coupler Base to secure Aircraft Cable in the Coupler.
4. Repeat for remaining non-canopy hang points
5. See Instructions PN 13163 for details on canopy hang point installation
6. Feed swag-less Aircraft Cable into canopy Cable Gripper
7. Raise luminaire and feed Aircraft Cables into Spool Cable Grippers.
8. Adjust to desired drop height.
9. Congratulations! End of guide.

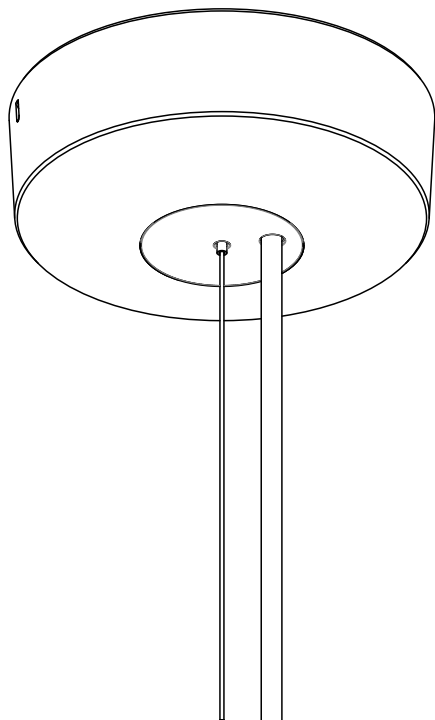
Item	Qty	Description
1	1	Package: Spool. 20in x 15in. Crosswalk. 2700K. 12° Indirect. 35° Direct
2	1	Package: Spool 20in Pickpoint Template
3	1	Package: Deep Canopy. 120-277VAC
4	1	Assembly: Spool Cable Kit. (3) Cables. (3) Couplers.
5	1	Package: Driver PSB30W-0700-42 @600 mA



Deep Canopy

13163 rD

Single Cable Suspension



CAUTION:

Before starting, turn off power at main circuit panel.

ADVERTENCIA:

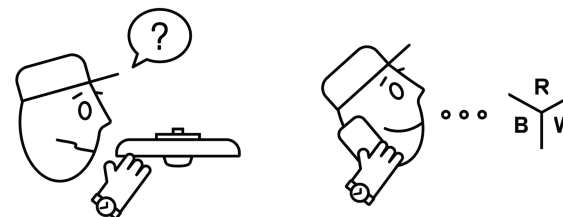
Antes de comenzar la instalación, apague la corriente en el tablero principal.

ATTENTION:

Coupez l'alimentation avant de proceder à l'installation.



Calling for backup? Scan above to contact our team.

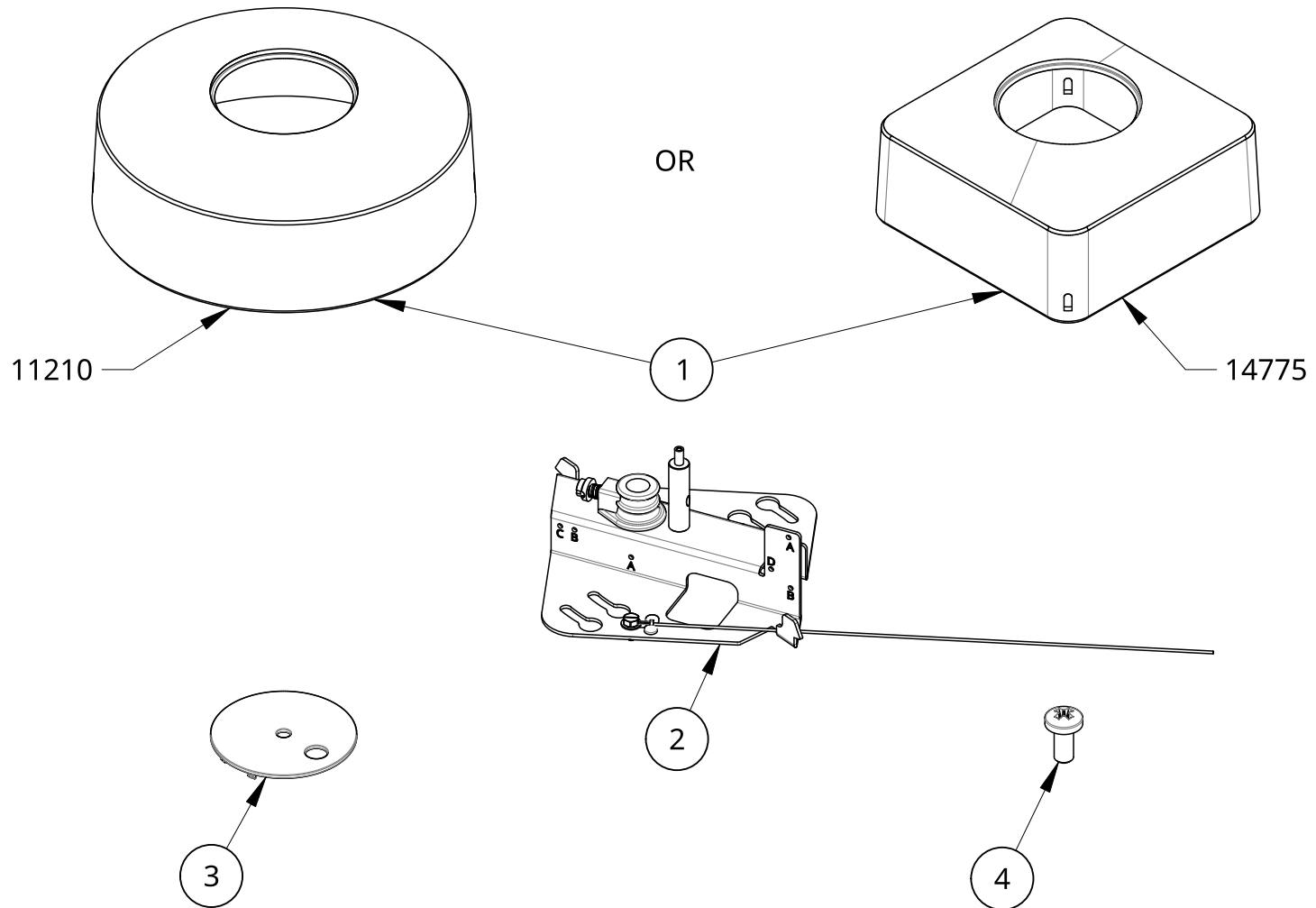


www.RBW.com

+1 212 388 0399

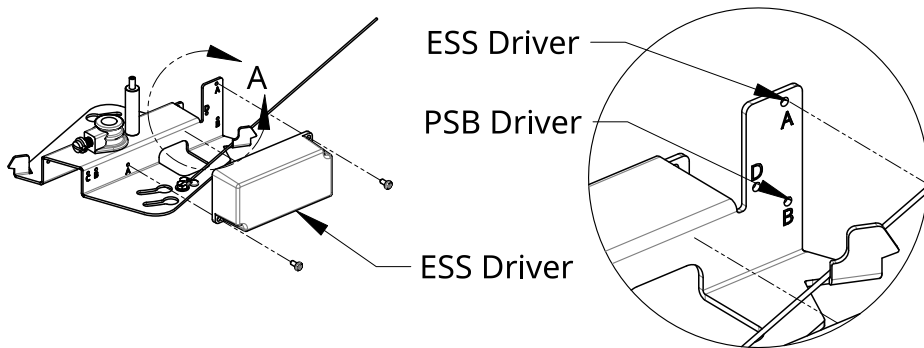
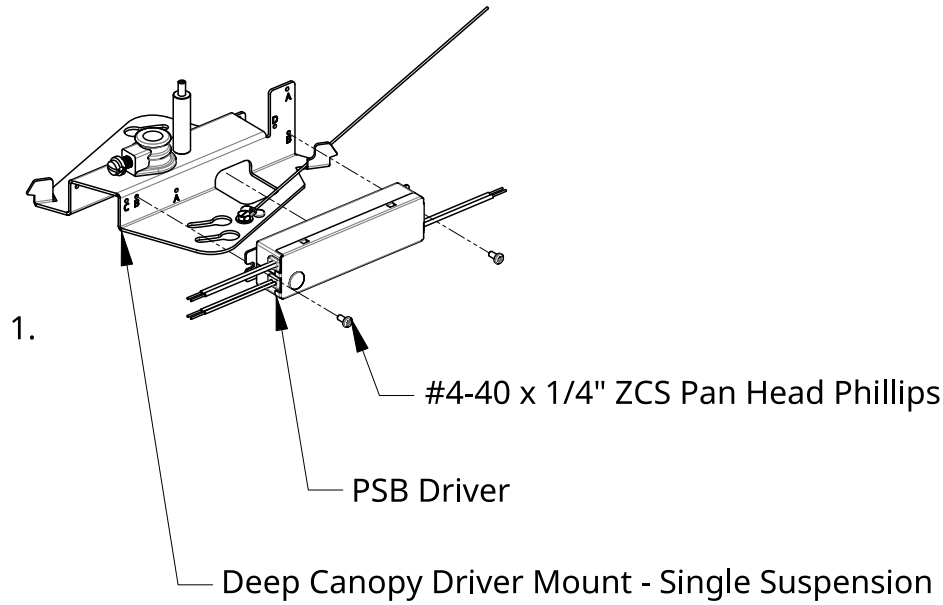
support@RBW.com

© RBW Studio LLC, 2013, 2020



Item	Qty	Description
1	1	Deep Canopy
2	1	Assembly: Deep Canopy. Single Cable Suspension
3	1	Canopy: Single Cable Cover
4	4	#4-40 x 1/4" Pan Head Screw

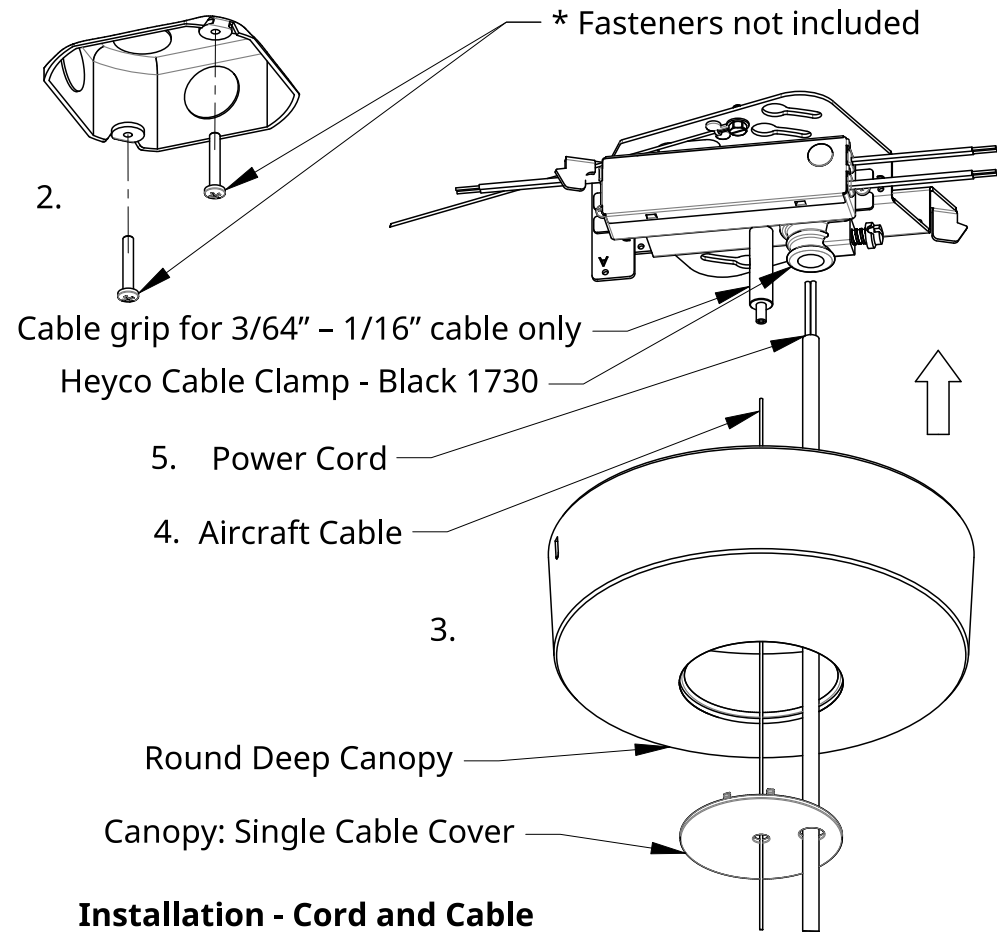
* If provided driver does not fit in canopy, it must be installed in an external location



Installation - Driver (skip if driver is remotely located)

1. Fasten included driver to corresponding hole pattern in Driver Mount with #4-40 x 1/4" Pan Head Screws.
2. Connect Power Feed leads to respective Driver leads and tuck wires into the center of the Driver Mount.
3. Connect mains voltage to Driver and connect ground strap according to electrical code.

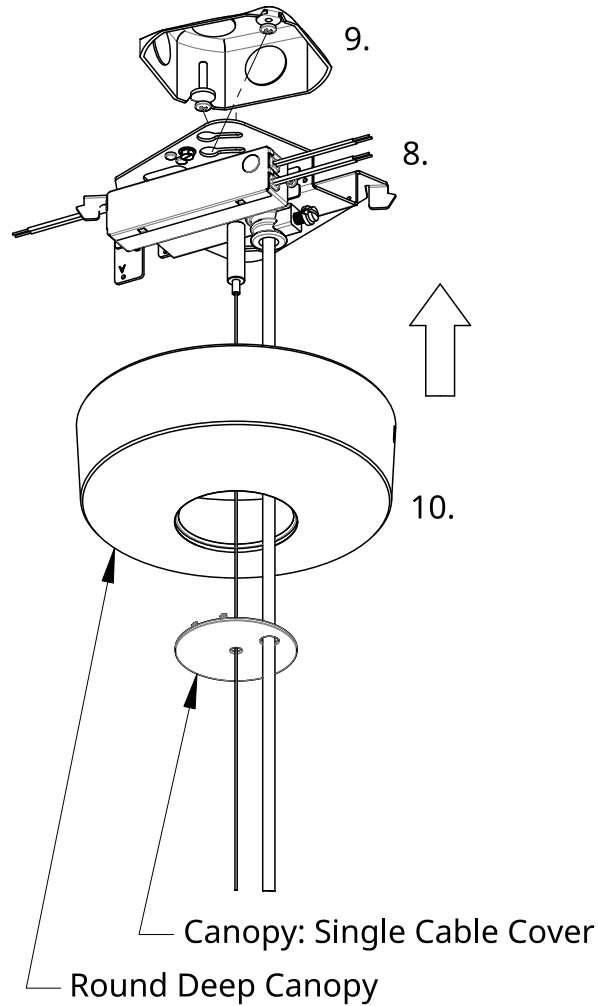
* Measure approximate hang height, add 3 inches and trim cable and power feed before step 6.



Installation - Cord and Cable

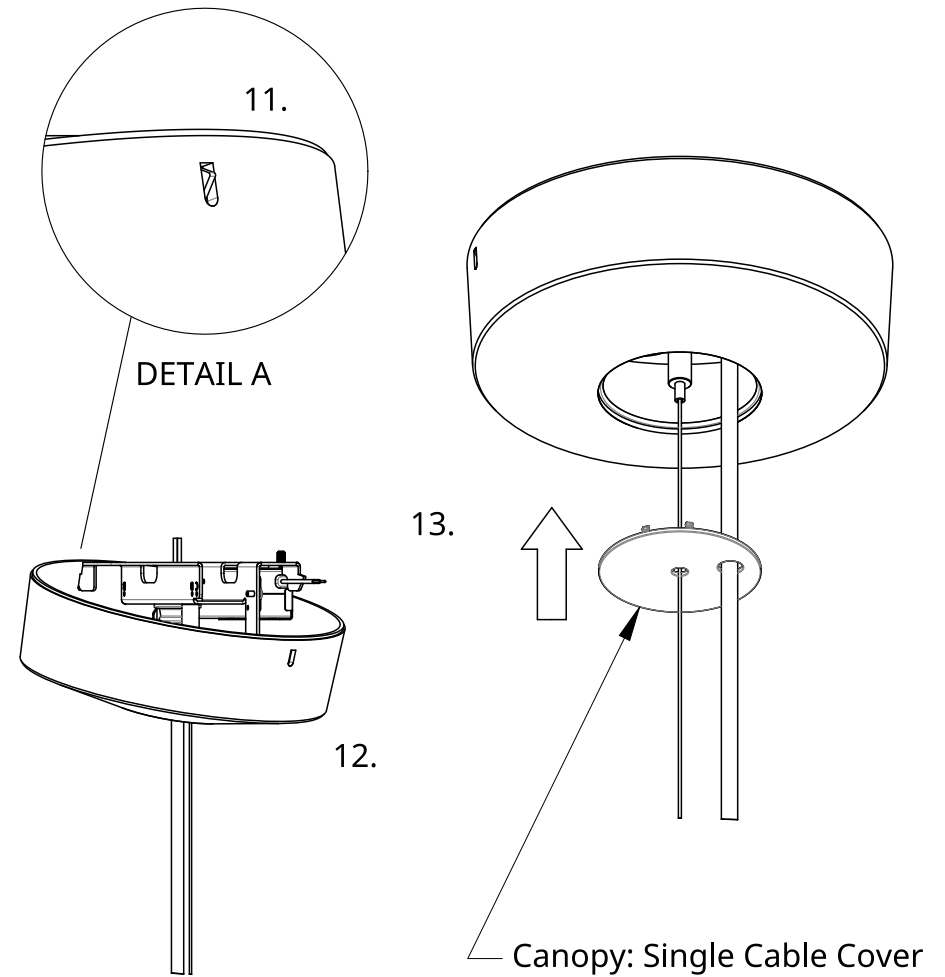
4. Attach appropriate fasteners to desired mounting location leaving enough clearance to secure Driver Mount.
5. Pass product Power Feed and Aircraft Cable through Single Cable Cover and Round Deep Canopy.
6. Feed Aircraft Cable through Cable Grip and adjust to desired length.
7. Insert Power Cord into Heyco Cable Clamp and tighten Cable Clamp at desired length.

* Driver Mount installation requires 2 people



Installation - Driver Mount

8. Raise Driver Mount with hanging product to mounting fasteners and rotate.
9. Tighten Fasteners fully to secure Driver Mount to ceiling mounting surface.



Installation - Canopy Cover & Single Cable Cover

10. Raise Round Deep Canopy to the Driver mount and locate the back facing slot in Canopy Cover.
11. Insert back facing tab from Driver Mount into Deep Canopy slot.
12. Locate front facing slot in Deep Canopy, raise it to corresponding Driver Mount tab and snap in place.
13. Raise Single Cable Cover to Deep Canopy and snap in place.
14. Congratulations! End of guide.