

SOLIS DRUM

FLUSH MOUNT

120/240V ASSEMBLY & INSTALLATION INSTRUCTIONS

INFO@PABLODESIGNS.COM
888 MARIN STREET
SAN FRANCISCO, CA
94124

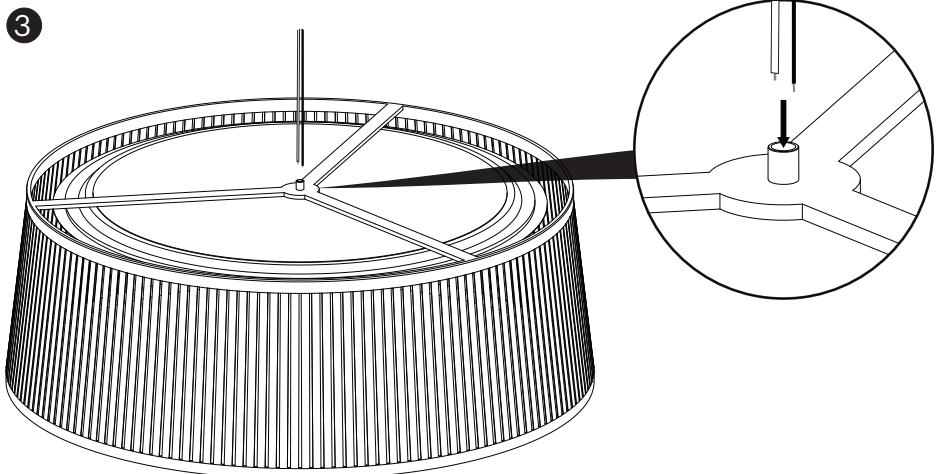
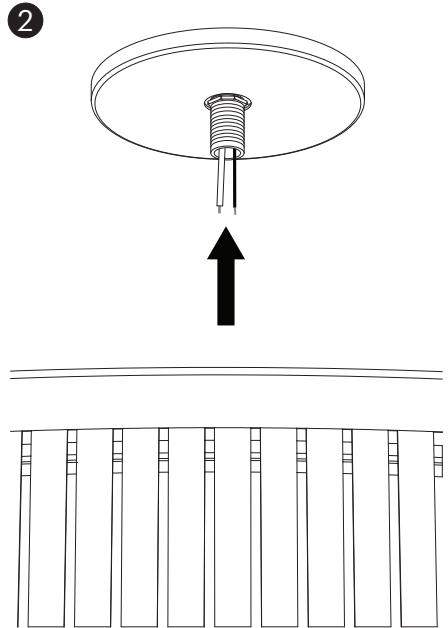
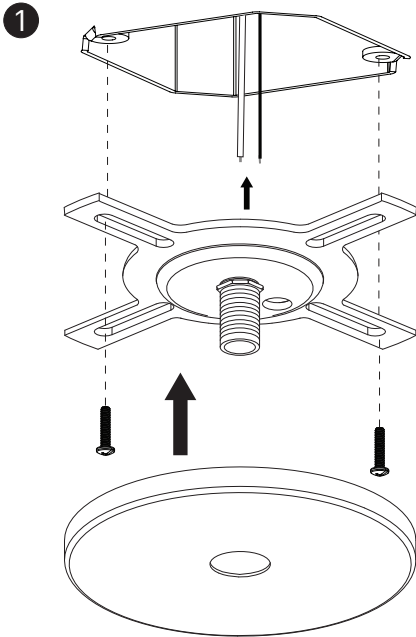
PABLODESIGNS.COM

Pablo®

SOLIS DRUM

FLUSH MOUNT

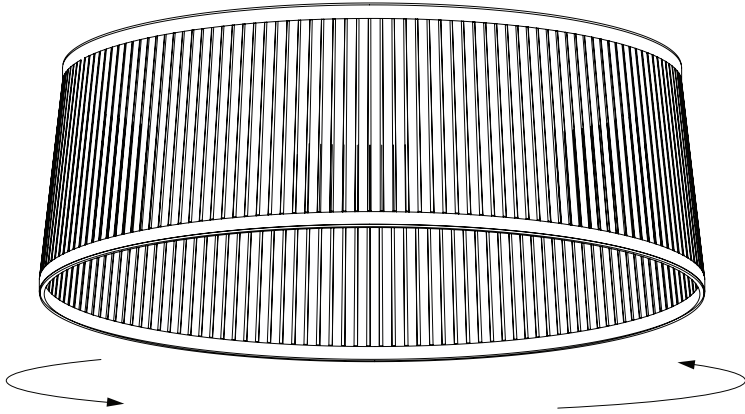
1. ATTACH MOUNTING PLATE TO JUNCTION BOX, PASSING BUILDING WIRES THROUGH CENTER TUBE
2. BRING SOLIS DRUM UP TO EXPOSED WIRING
3. FEED BUILDING WIRES THROUGH LAMP AT CENTER JUNCTION OF TOP RING
4. ROTATE LAMP ONTO MOUNTING PLATE TIGHTLY
5. MAKE SURE BUILDING WIRE IS HANGING BETWEEN DRIVERS
6. CONNECT BUILDING WIRES TO DRIVERS WIRE WITH WIRE NUTS
(**US:** BLACK TO BLACK AND WHITE TO WHITE. **EU:** BLUE TO BLACK AND BROWN TO WHITE)



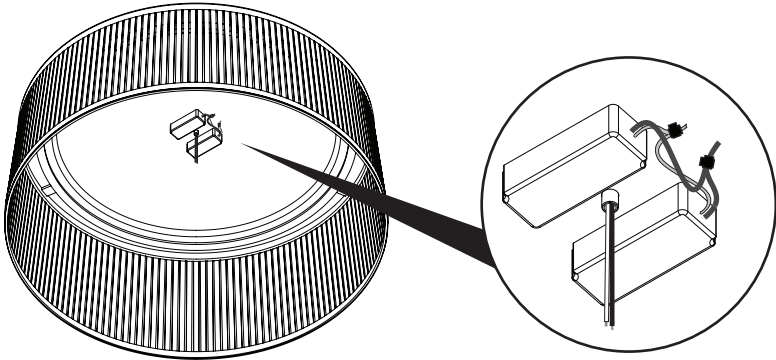
SOLIS DRUM

FLUSH MOUNT

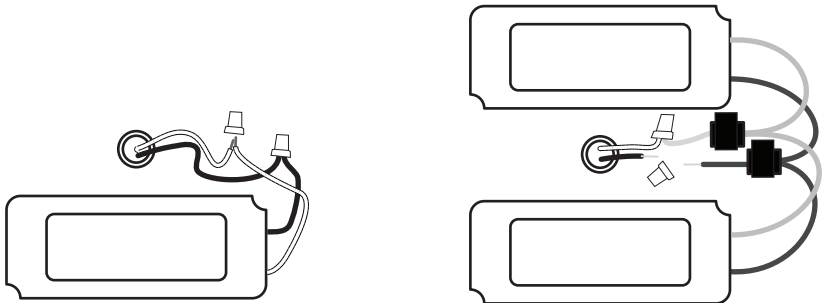
4



5



6

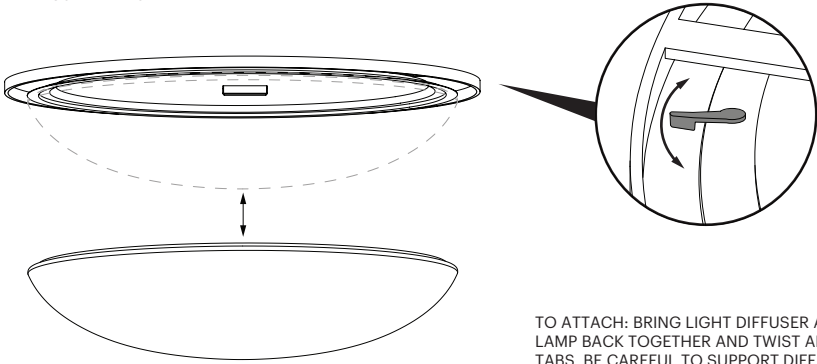


Pablo®

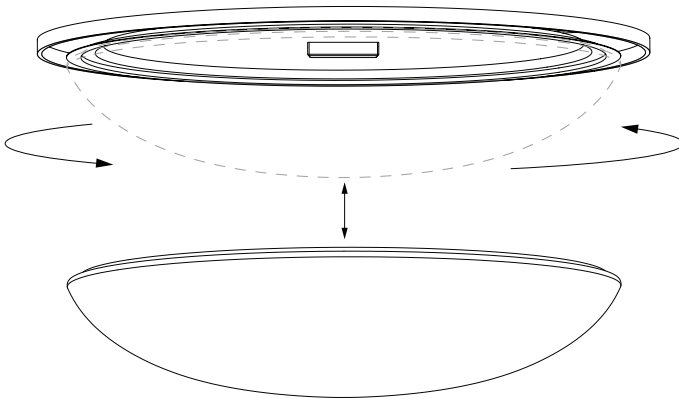
SOLIS DRUM

FLUSH MOUNT

36" LIGHT DIFFUSER ATTACHMENT



24" LIGHT DIFFUSER ATTACHMENT



**IMPORTANT: WE RECOMMEND FIXTURE
BE INSTALLED BY AN ELECTRICIAN**

BULB TYPE
HIGH POWERED LED ARRAY

CARE INSTRUCTIONS
WIPE CLEAN WITH A SOFT DAMP CLOTH.
AVOID AMMONIA-BASED CLEANERS.