

A—N—D

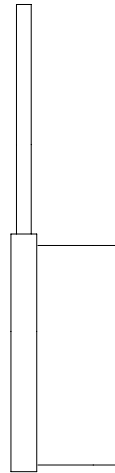
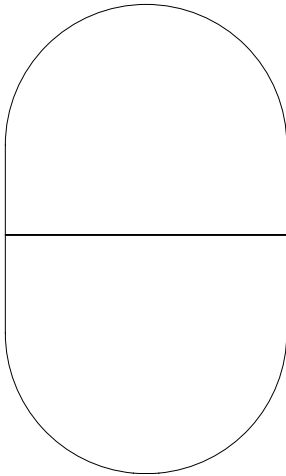
# SLAB SERIES CEILING/WALL

DESIGNER  
LUKAS PEET

INSTRUCTIONS



SCAN HERE



WORLD MARKET



A-N-D.COM

# INSTALLATION NOTES

---

The luminaire is powered by 12V DC. A constant voltage LED driver is required to operate the luminaire. The LED driver varies, depending on input voltage and dimming requirements.

For questions regarding installation, please email [info@n-d.com](mailto:info@n-d.com)



## CARE INSTRUCTIONS

Always wear clean gloves when handling the luminaire. Clean finished surfaces with a soft, lint-free cloth. Clean acrylic diffuser with a microfibre cloth and a diluted solution of dish soap in warm water.

For replacement parts contact A-N-D directly.



## WARNING

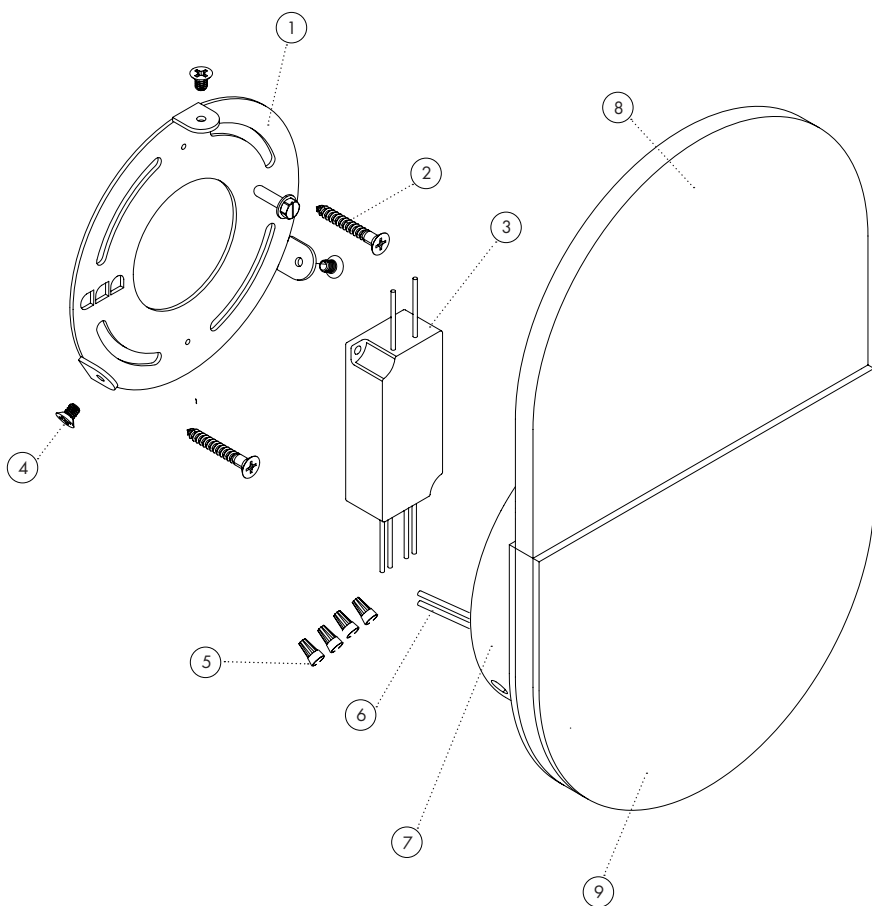
The luminaire must be installed by a qualified electrician in a dry indoor location.

Failure to meet any or all of these criteria will not only damage the luminaire, but will void both the warranty and all of its certifications.

# COMPONENTS



- ① BACKPLATE
- ② #8 SCREW (2)
- ③ LED DRIVER
- ④ CANOPY SCREW (3)
- ⑤ WIRENUT (4)
- ⑥ ELECTRICAL CORD
- ⑦ CANOPY
- ⑧ ACRYLIC DIFFUSER
- ⑨ LUMINAIRE BODY



# LED DRIVER OPTIONS

The Slab Ceiling /Wall LED driver varies depending on

Use the ordering code to determine the selected driver:

ie. SLA-W20-W-BK-27-010-230

DIMMING --- INPUT VOLTAGE

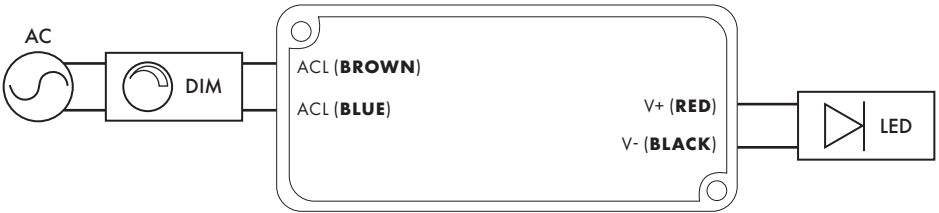
## PHASE CUT DIMMING (PC)

M-28 SERIES - ES POWER

**INPUT:** 230VAC

**OUTPUT:** 12VDC, 24W

**L x W x H:** 89 x 44 x 32



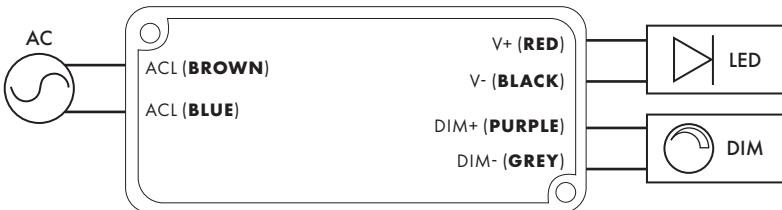
## 0-10 + PWM DIMMING (010)

Q22-P SERIES - ES POWER

**INPUT:** 110-277VAC

**OUTPUT:** 12VDC, 22W

**L x W x H:** 89 x 42 x 31



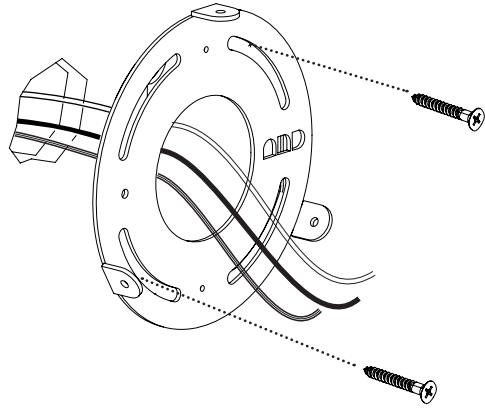
# INSTALLATION



## STEP 1

### Attach the backplate to the ceiling or wall.

Use the provided #8 screws.  
Anchors, if needed, to be provided by installer.



## STEP 2

### Connect the input power to the primary circuit on the LED driver. Connect ground.

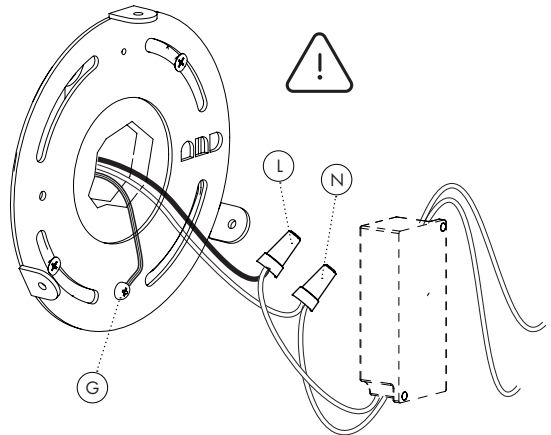
Black/brown wire = **Line** (L)

White/blue wire = **Neutral** (N)

Green screw = **Ground** (G)

#### ⚠ Caution!

Ensure that the power is disconnected.



REFER TO PAGE 4: DRIVER OPTIONS FOR MORE DETAILS

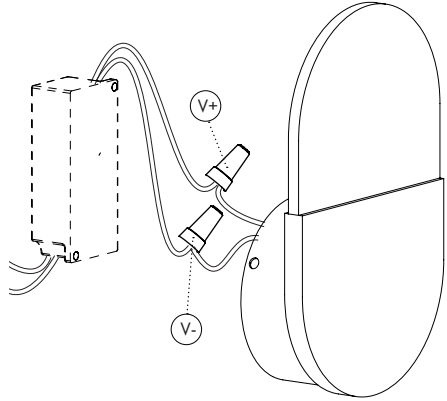
# INSTALLATION

## STEP 3

**Connect the luminaire to the secondary circuit on the LED driver.**

White Dashed line = **Positive** (V+)

Black wire = **Negative** (V-)



REFER TO PAGE 4: DRIVER OPTIONS FOR MORE DETAILS

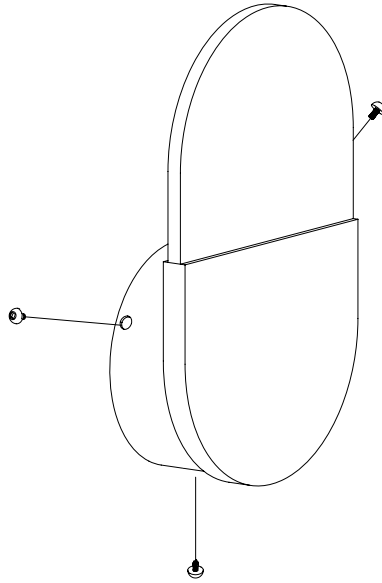
---

## STEP 4

**Attach the luminaire to the backplate.**

**Make final adjustments.**

Use the provided colour matched canopy screws to attach the luminaire.



# A—N—D

For support, please contact:

[info@a-n-d.com](mailto:info@a-n-d.com)

+1 604 563 6938



1951 Franklin St,  
Vancouver, BC  
Canada V5L 0C7

**A-N-D.COM**