

A—N—D

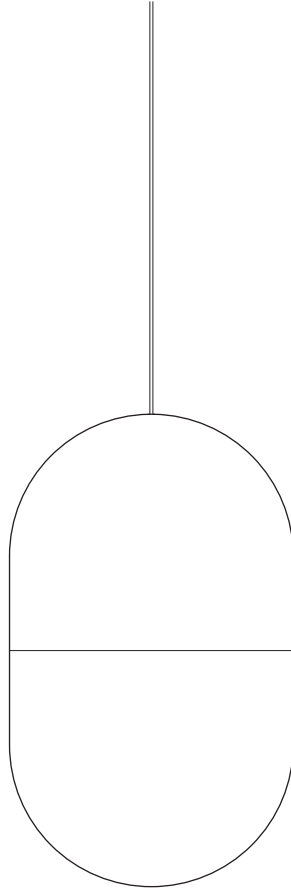
# SLAB SERIES PENDANT P20

DESIGNER  
LUKAS PEET

INSTRUCTIONS



SCAN HERE



WORLD MARKET



A-N-D.COM

# INSTALLATION NOTES

---

The luminaire is powered by 12V DC. A constant voltage LED driver is required to operate the luminaire. The LED driver varies depending on input voltage and dimming requirements.

For questions regarding installation, please email [info@n-d.com](mailto:info@n-d.com)



## CARE INSTRUCTIONS

Always wear clean gloves when handling the luminaire. Clean finished surfaces with a soft, lint-free cloth. Clean acrylic diffuser with a soft lint-free cloth and a diluted solution of dish soap in warm water.

For replacement parts contact A-N-D directly.



## WARNING

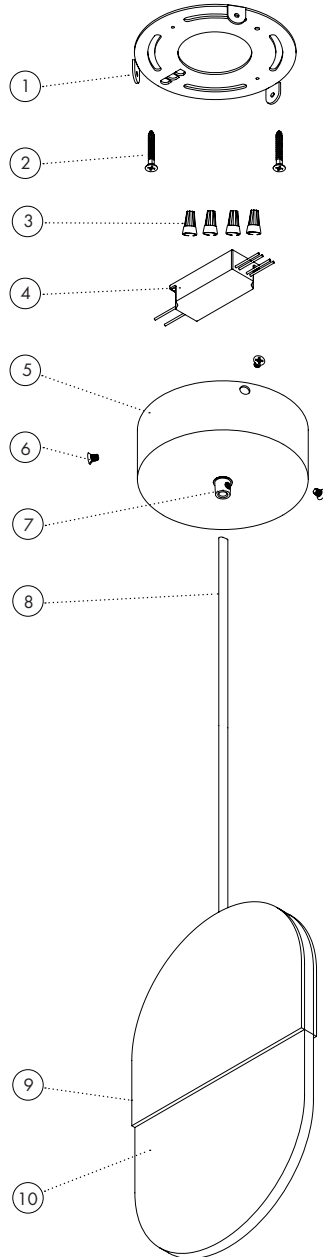
The luminaire must be installed by a qualified electrician in a dry indoor location.

Failure to meet any or all of these criteria will not only damage the luminaire, but will void both the warranty and all of its certifications.

# COMPONENTS



- ① BACKPLATE
- ② #8 SCREWS (2)
- ③ WIRE NUT (4)
- ④ LED DRIVER
- ⑤ CANOPY
- ⑥ CANOPY SCREWS (3)
- ⑦ STRAIN RELIEF
- ⑧ ELECTRICAL CORD
- ⑨ LUMINAIRE BODY
- ⑩ ACRYLIC DIFFUSER



# LED DRIVER OPTIONS

The Slab Pendant LED driver varies depending on dimming requirements and input voltage.

Use the ordering code to determine the driver selected:

ie. SLA-20-P-BLK-27-010-230

DIMMING --- INPUT VOLTAGE

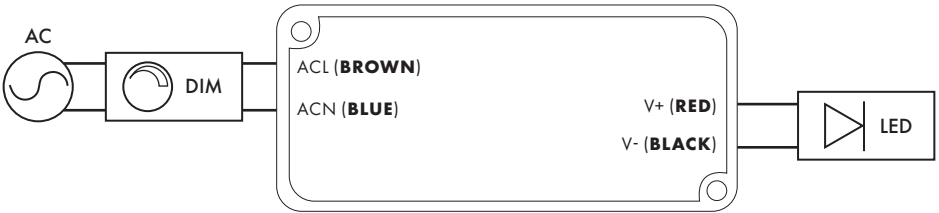
## PHASE CUT DIMMING (PC)

M-28 SERIES - ES POWER

**INPUT:** 230VAC

**OUTPUT:** 12VDC, 24W

**L x W x H:** 89 x 44 x 32



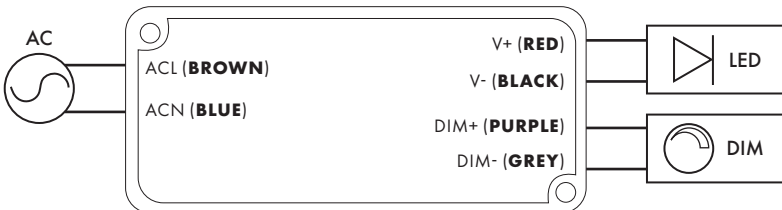
## 0-10 + PWM DIMMING (010)

Q22-P SERIES - ES POWER

**INPUT:** 110-277VAC

**OUTPUT:** 12VDC, 22W

**L x W x H:** 89 x 42 x 31



# PREPARATION



## STEP 1

**Determine the drop height of the fixture and trim excess cable.**

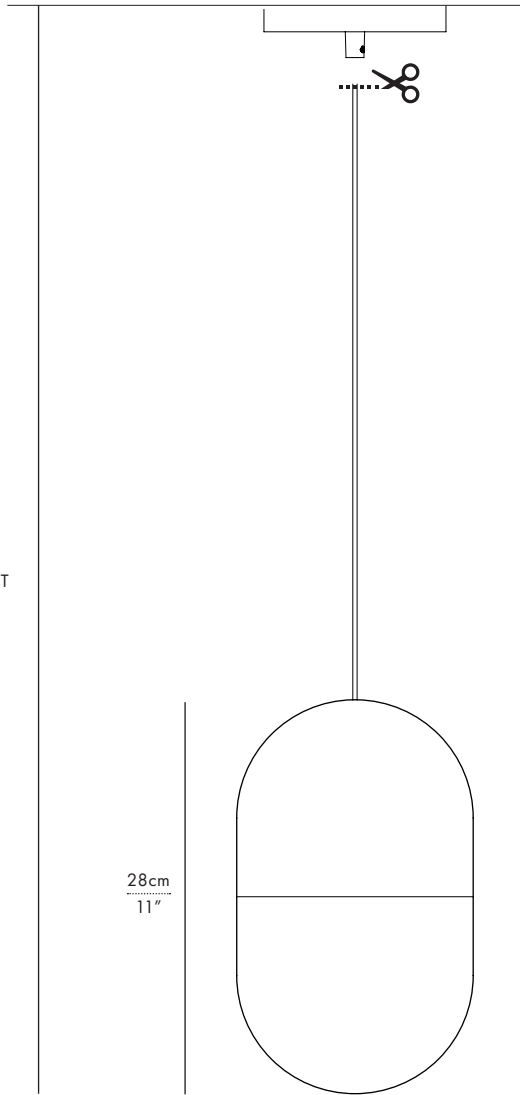
**Electrical cord length:**

Leave extra length. Add an extra 15cm/6" to the drop height. This allows for slack and electrical connections inside the canopy.

DROP  
HEIGHT



28cm  
11"



# INSTALLATION

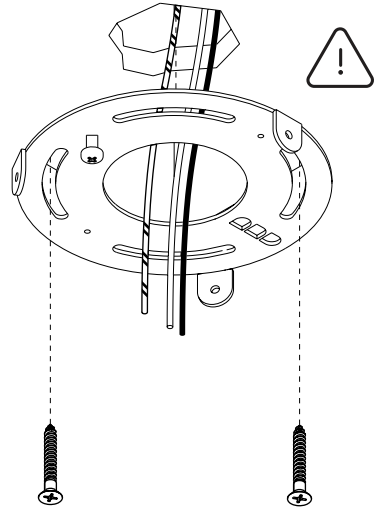
## STEP 2

### Attach the backplate to the ceiling.

Use the provided #8 screws.  
Anchors, if required, are to be provided by installer.

#### ⚠ Caution!

Ensure that the power is disconnected at the breaker.



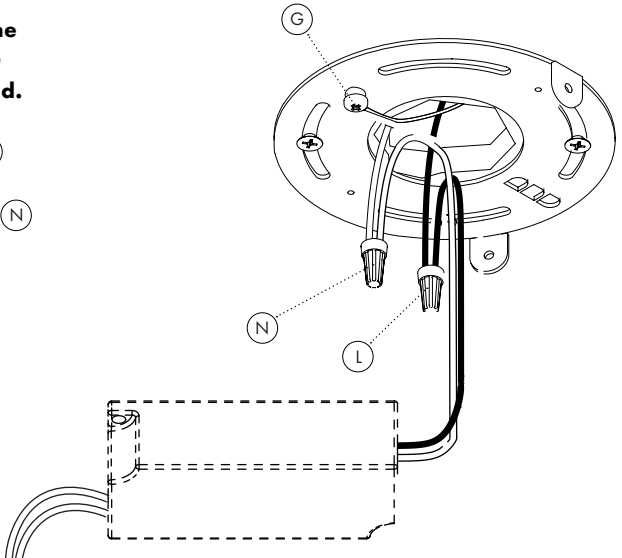
## STEP 3

### Connect input power to the primary circuit on the LED driver. Connect the ground.

Black/brown wire = **Line** (L)

White/blue wire = **Neutral** (N)

Green screw = **Ground** (G)



REFER TO PAGE 4: DRIVER OPTIONS FOR MORE DETAILS

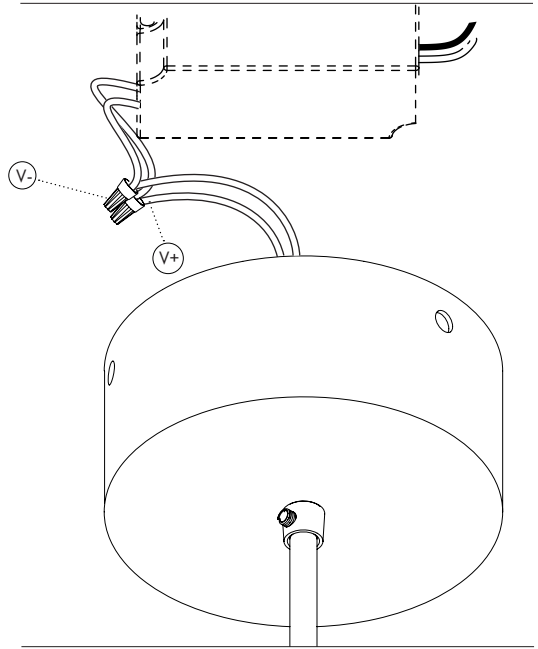
---

#### STEP 4

**Connect the luminaire to secondary circuit on LED driver.**

Dashed line = **Positive** (V+)

Black = **Negative** (V-)

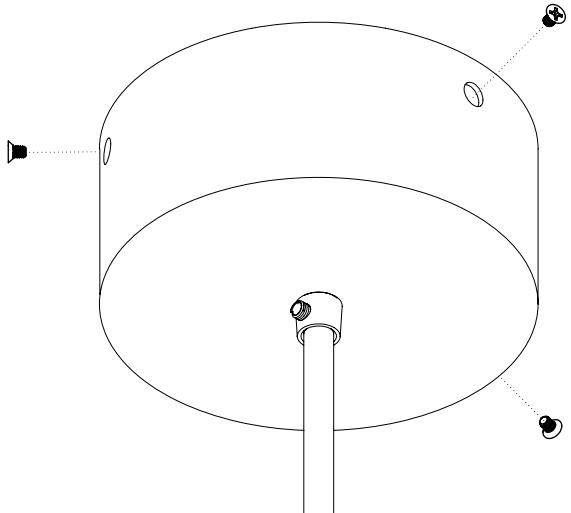



---

#### STEP 5

**Attach the canopy to the backplate.**

Use the provided colour matched canopy screws.



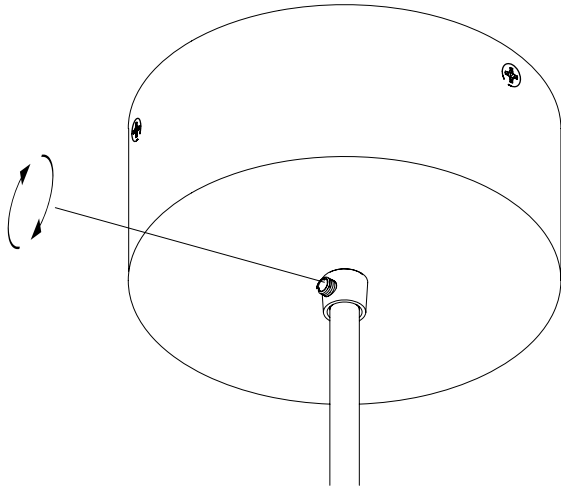
# INSTALLATION

---

## STEP 6

### Secure the electrical cord.

Tighten the screw on the strain relief until the electrical cord is held in position.



# A—N—D

For support, please contact:  
info@a-n-d.com  
+1 604 563 6938

1951 Franklin St,  
Vancouver, BC  
Canada V5L 0C7