

A—N—D

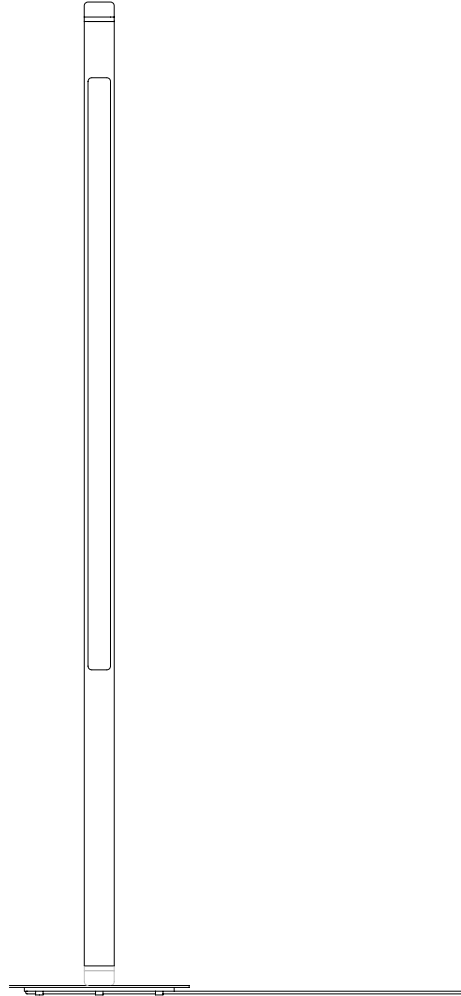
PIPELINE SERIES TABLE/FLOOR

DESIGNER
CAINE HEINTZMAN

INSTRUCTIONS



SCAN HERE



NORTH AMERICA + WORLD

A-N-D.COM

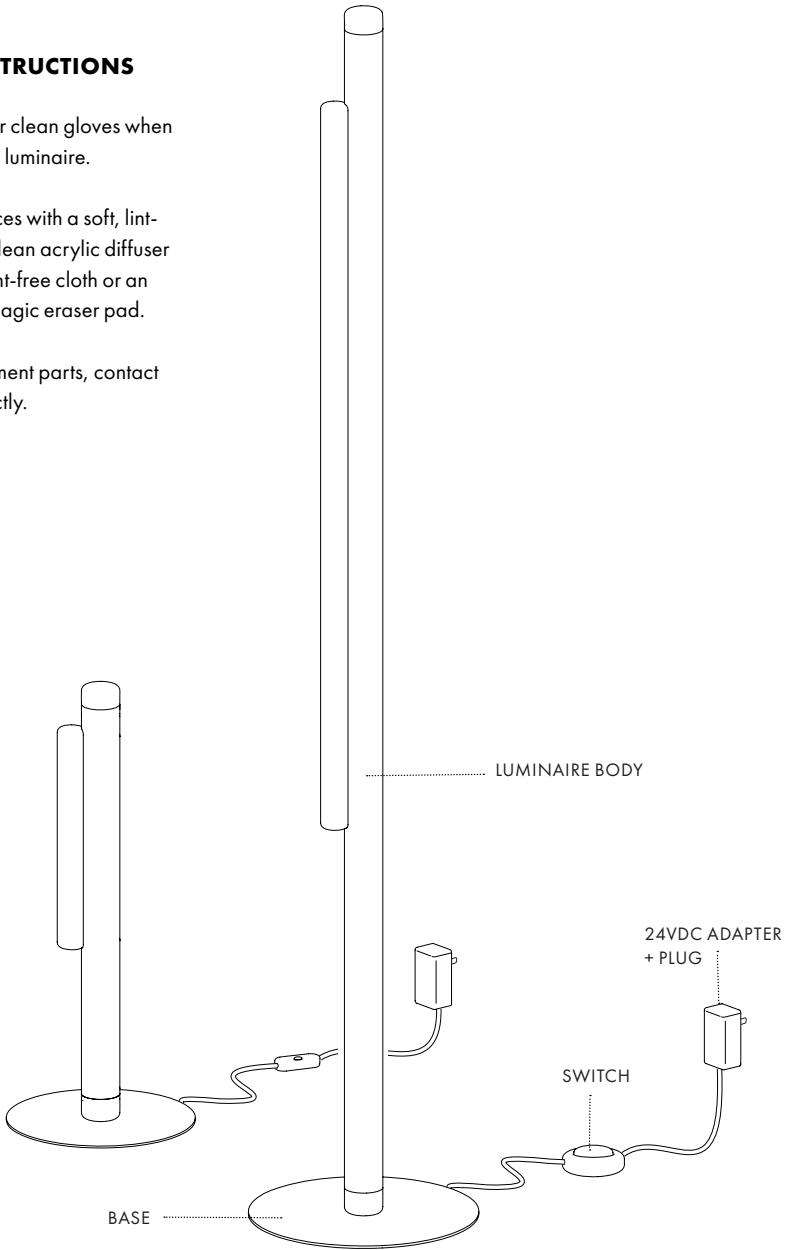


CARE INSTRUCTIONS

Always wear clean gloves when handling the luminaire.

Clean surfaces with a soft, lint-free cloth. Clean acrylic diffuser with a soft lint-free cloth or an unscented magic eraser pad.

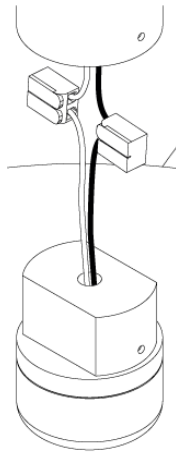
For replacement parts, contact A-N-D directly.



Connect electrical wires.

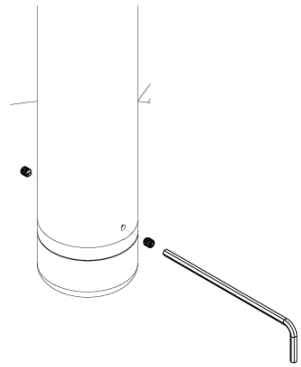
Red wire to red wire

Black wire to black wire



Attach the luminaire body to the base.

Use the provided set screws and hex key.

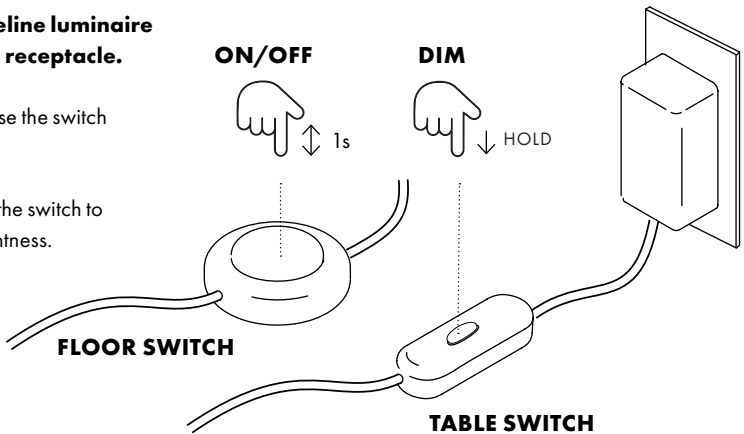


ON/OFF + DIMMING

Plug the Pipeline luminaire into the wall receptacle.

Push and release the switch for on/off.

Push and hold the switch to adjust the brightness.



A—N—D

For support, please contact:

info@a-n-d.com

+1 604 563 6938



1951 Franklin St,
Vancouver, BC
Canada V5L 0C7

A-N-D.COM