

A—N—D

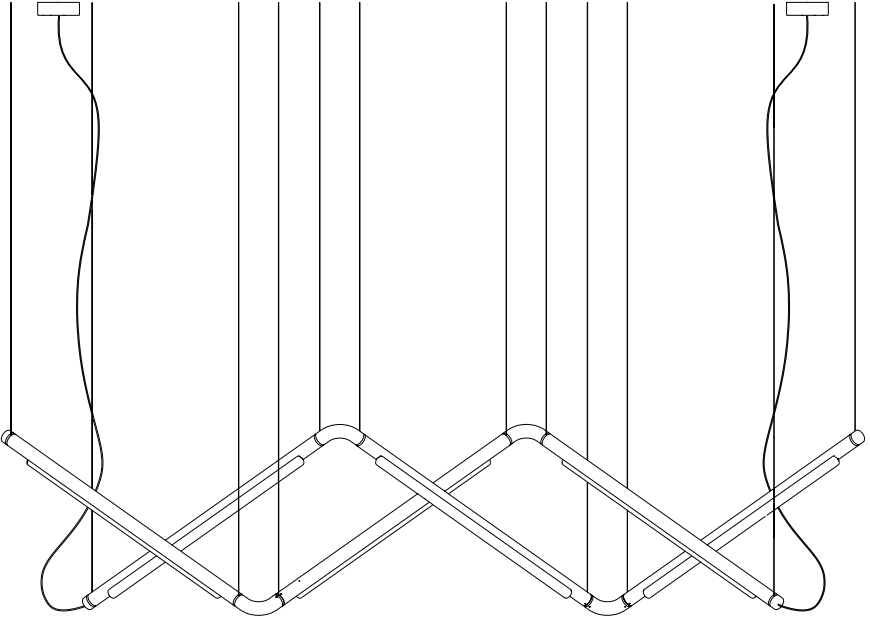
PIPELINE SERIES PENDANT CM9

INSTRUCTIONS



SCAN HERE

DESIGNER
CAINE HEINTZMAN



WORLD MARKET



A-N-D.COM

INSTALLATION NOTES

The luminaire is powered by 24V DC. A constant voltage LED driver is required to operate the luminaire. The LED driver varies, depending on input voltage and dimming requirements.

It is recommended that two people install the Pipeline Pendant; one to gently support the luminaire while the other makes the electrical and mechanical connections to the ceiling.

For questions regarding installation, please email info@A-N-D.com



CARE INSTRUCTIONS

Always wear clean gloves when handling the luminaire. Clean finished surfaces with a soft, lint-free cloth. Clean acrylic diffuser soft lint-free cloth or an unscented magic eraser pad.

For replacement parts contact A-N-D directly.



WARNING

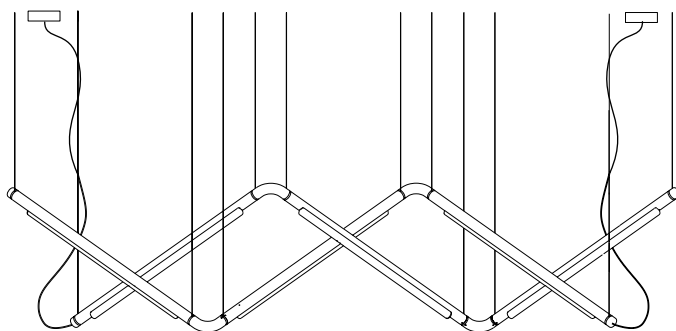
The luminaire must be installed by a qualified electrician in a dry indoor location.

Failure to meet any or all of these criteria will not only damage the luminaire, but will void both the warranty and all of its certifications.

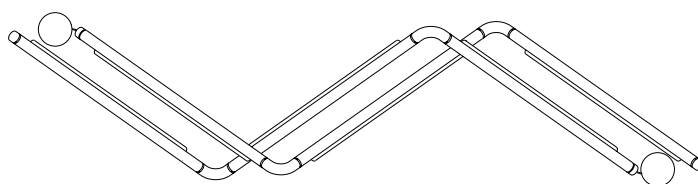
PIPELINE DIMENSIONS



PIPELINE CM9

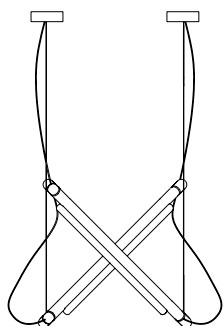


328cm [129"]



297cm [117"]

71cm
28"

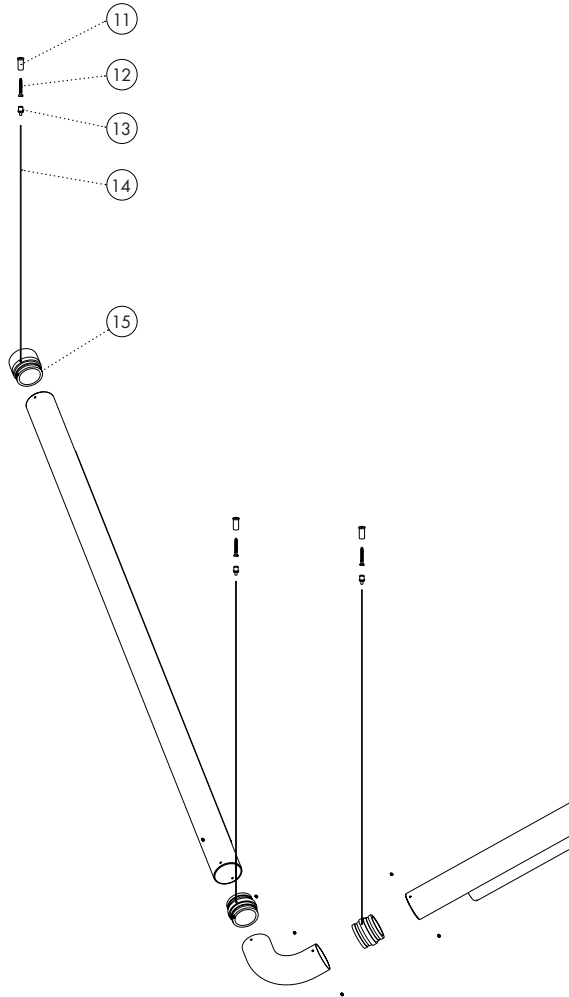


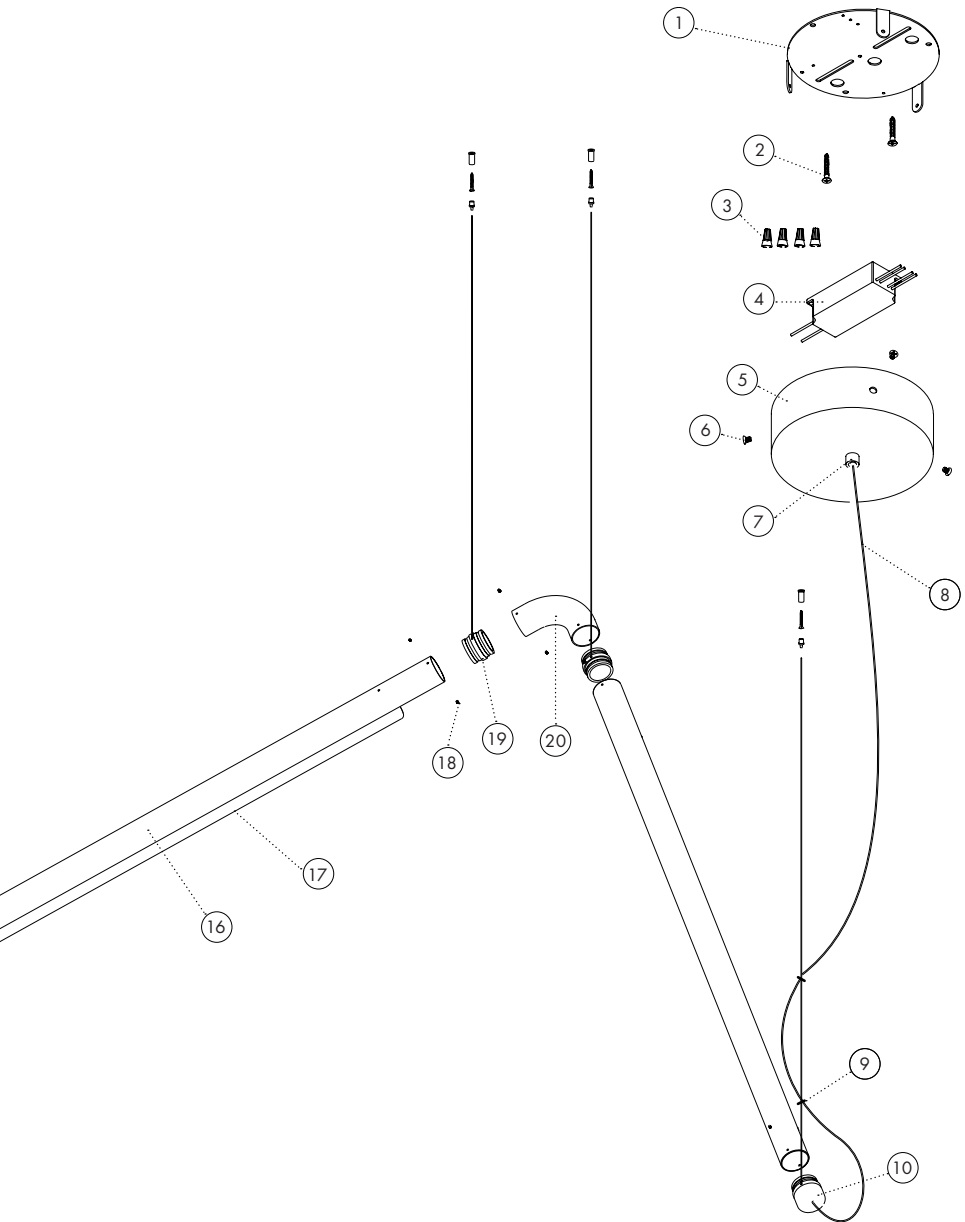
71cm
28"

71cm
28"

COMPONENTS

- ① BACKPLATE (2)
- ② #8 SCREW (4)
- ③ WIRE NUT (8)
- ④ LED DRIVER (2)
- ⑤ CANOPY (2)
- ⑥ CANOPY SCREW (6)
- ⑦ STRAIN RELIEF (2)
- ⑧ ELECTRICAL CORD (2)
- ⑨ O-RING (8)
- ⑩ POWER CAP ASSEMBLY (2)
- ⑪ CEILING ANCHOR (12)
- ⑫ #6 SCREW (12)
- ⑬ CABLE GRIPPER (12)
- ⑭ SUSPENSION CABLE (12)
- ⑮ END CAP ASSEMBLY (2)
- ⑯ LUMINAIRE (6)
- ⑰ ACRYLIC DIFFUSER (6)
- ⑱ SET SCREW (12)
- ⑲ CONNECTOR (8)
- ⑳ ELBOW (4)





*PARTIAL CM9 MODEL SHOWN

LED DRIVER OPTIONS

The Pipeline Pendant LED driver varies depending on dimming requirements and input voltage.

Use the ordering code to determine the selected driver:

ie. PIP-40-P-BK-BK-27-010-230

DIMMING --- INPUT VOLTAGE

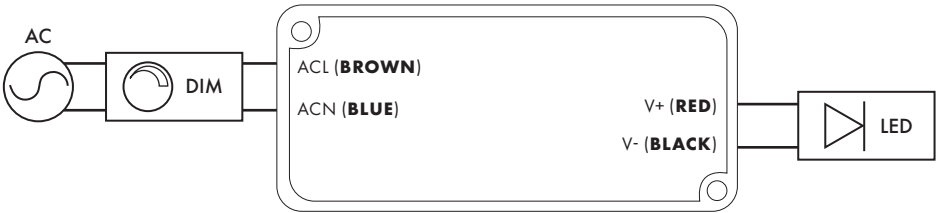
PHASE CUT DIMMING (PC)

M40 SERIES - ES POWER

INPUT: 230VAC

OUTPUT: 24VDC, 75W

L x W x H: 140 x 49 x 32



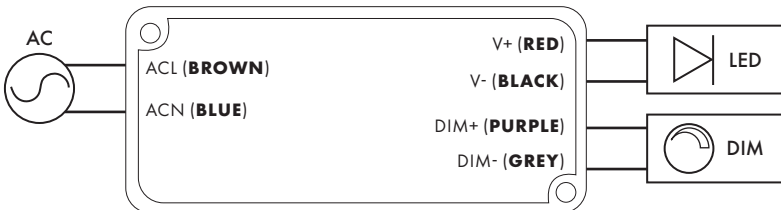
0-10 + PWM DIMMING (010)

Q68-P SERIES - ES POWER

INPUT: 110-277VAC

OUTPUT: 24VDC, 68W

L x W x H: 140 x 49 x 32



PREPARATION



STEP 1

Determine the drop height of the fixture and set cable lengths.

Suspension cable length:

Position the cable grippers on the suspension cables to set the luminaire's drop height.

⚠ Caution!

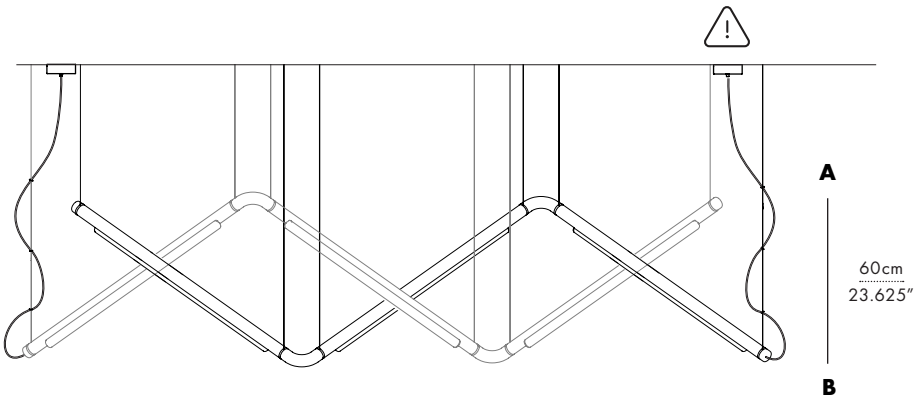
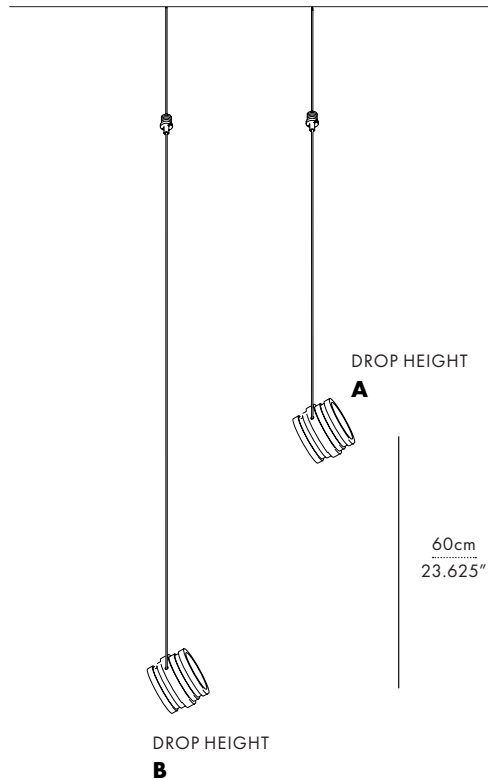
Do not trim cables until installation is complete. This allows for any required adjustments.

Electrical cord length:

When trimming excess length, add an extra 45cm/18" to the lowest drop height. This allows for slack, and electrical connections inside the canopy.

⚠ Caution!

The electrical cord must not bear any weight.



The CM9 has two drop heights to calculate high and low.
The difference in height between the two drop heights is 60cm/23.625".
The two heights are labelled **A** and **B**.

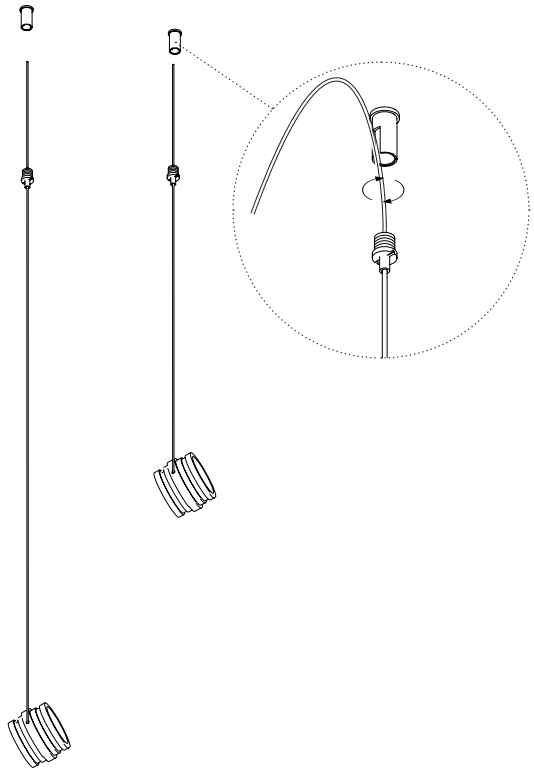
STEP 4

Hang the suspension cables and connectors.

Attach the suspension cable grippers to the ceiling anchors by threading them clockwise.

Align the suspension cable so that it exits the slot on the side of the ceiling anchor.

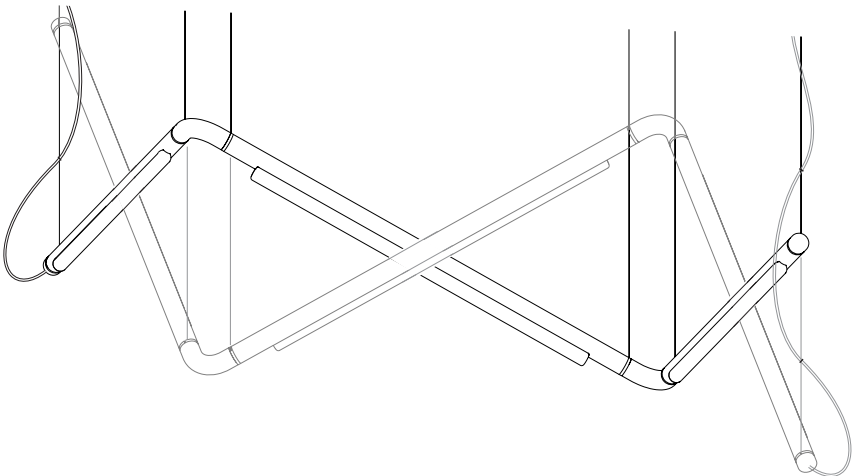
To adjust the position of the cable in the cable gripper, push the center pin inwards. This releases the auto-locking mechanism on the cable.



NOTE:

Intertwine the two luminaires.

Before hanging and connecting the luminaires together, take note of the arrangement.

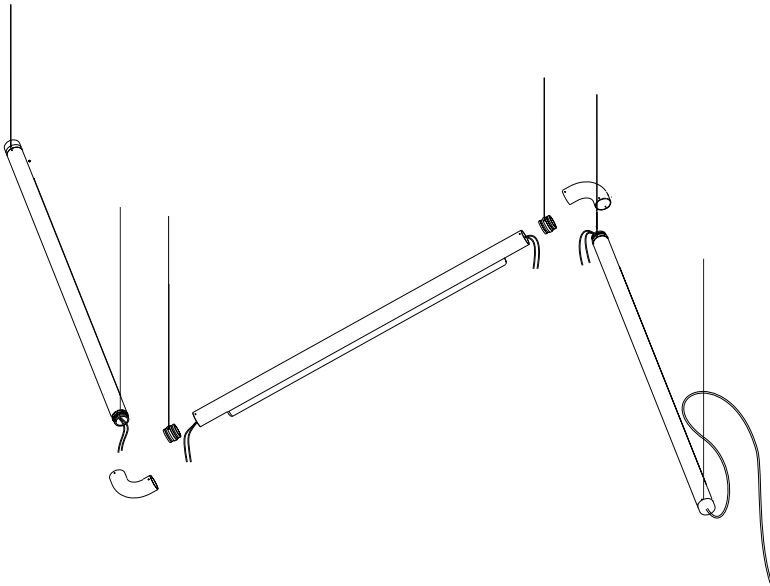


INSTALLATION

STEP 5

Suspend the luminaire.

Attach one section at a time.
Connect the elbows last.



5A

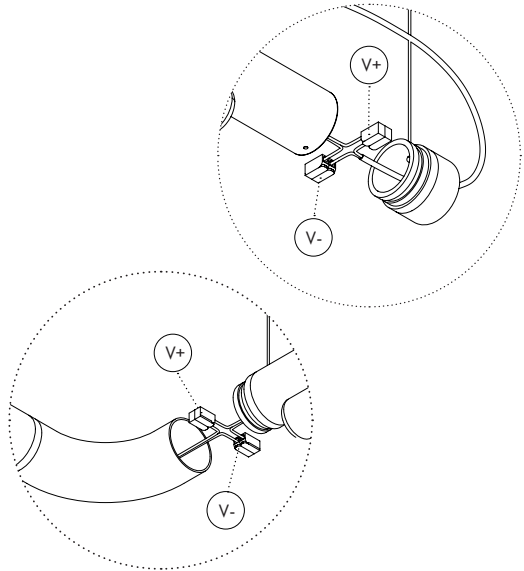
Connect the internal electrical wires:

Red wire to red wire (V+)

Black wire to black wire (V-)

Use the electrical cord extension to connect through the elbows.

Push the electrical wires and connectors inside the luminaire.



5B

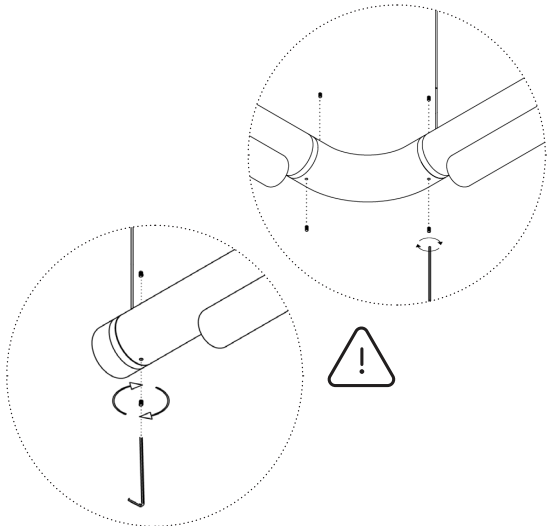
Connect and close the luminaire sections.

Use the provided set screws and hex key.

Tighten the set screws until the sections are aligned and secure.

Caution!

Overtightening the setscrews will cause misalignment and possibly damage the luminaire.



INSTALLATION

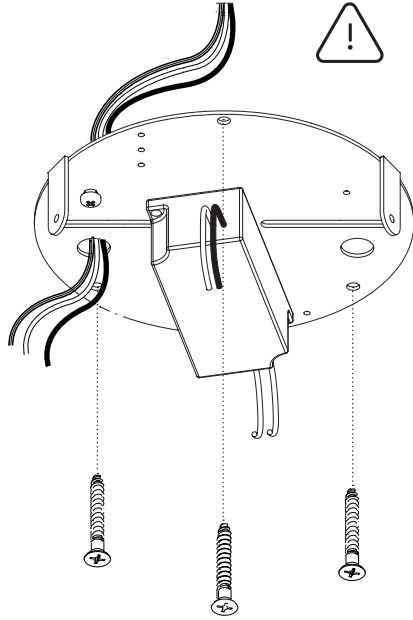
STEP 6

Mount the backplate to the ceiling and pull the wires through.

Use the provided #8 screws.
Substrate specific anchors to be provided by installer.

! Caution!

Ensure that the power is disconnected at the breaker.



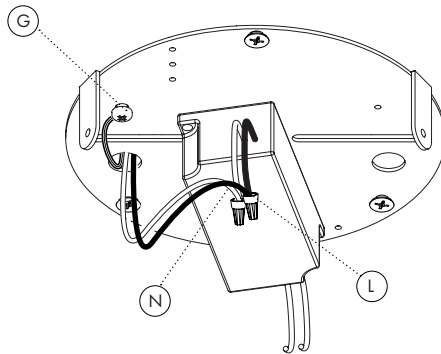
STEP 7

Connect the primary circuit on the LED driver to input power. Connect ground.

Black/brown wire = **Line** (L)

White/blue wire = **Neutral** (N)

Green screw = **Ground** (G)



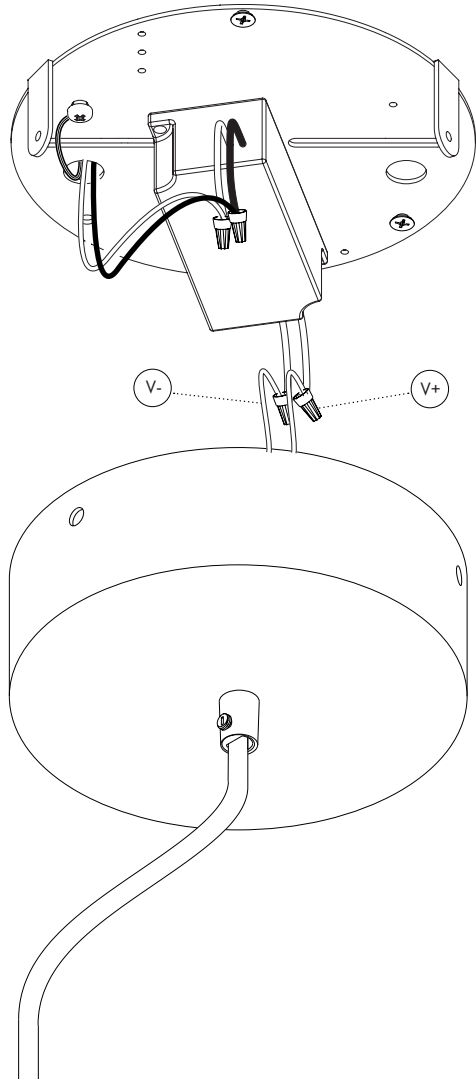
REFER TO PAGE 5 : DRIVER OPTIONS FOR MORE DETAILS

STEP 8

Connect the luminaire to secondary circuit on LED driver.

Dashed line = **Positive** (V+)

Black = **Negative** (V-)



REFER TO PAGE 5 : DRIVER OPTIONS FOR MORE DETAILS

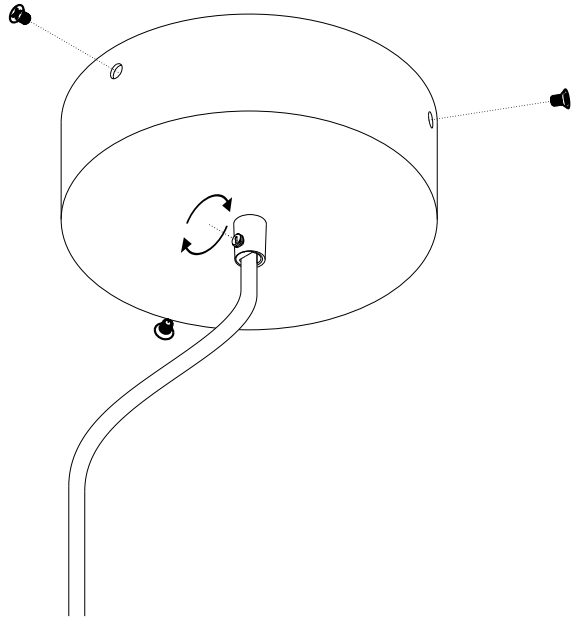
INSTALLATION

STEP 9

Attach the canopy to the backplate and secure the electrical cord.

Use the provided colour matched machine screws to attach the canopy.

Adjust the position of the power cord then secure the power cord by tightening the screw on the strain relief until it gently grips the electrical cord.

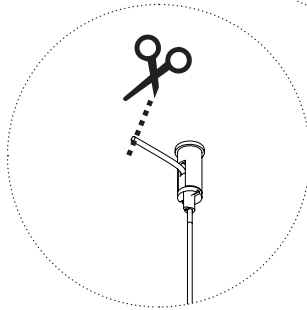
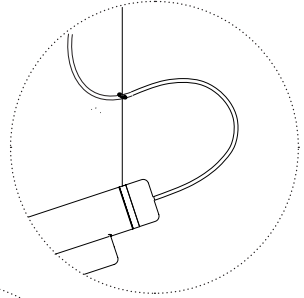


STEP 10

Adjust the position of the electrical cord and trim excess cable.

Use the O-rings to create a gently sweep the electrical cord along the suspension cable.

This is a visual element of the Pipeline luminaire.



A—N—D

For support, please contact:

info@a-n-d.com

+1 604 563 6938



1951 Franklin St,
Vancouver, BC
Canada V5L 0C7

A-N-D.COM