

A—N—D

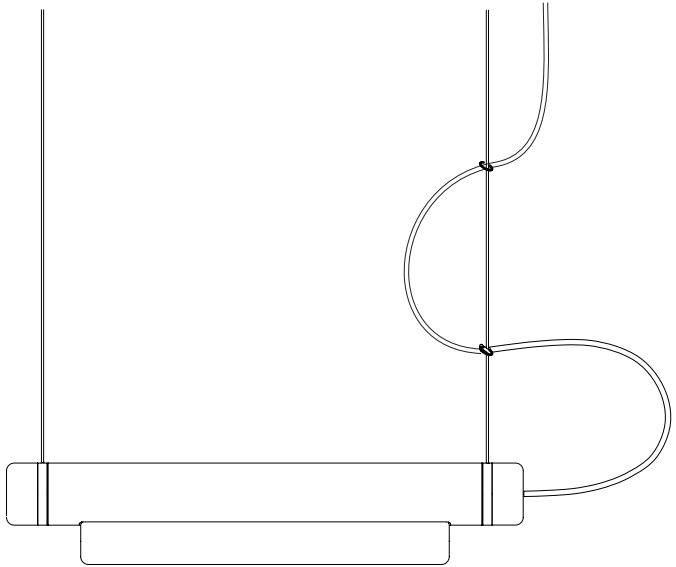
# PIPELINE SERIES PENDANT 40+125

DESIGNER  
CAINE HEINTZMAN

INSTRUCTIONS



SCAN HERE



WORLD MARKET



A-N-D.COM

# INSTALLATION NOTES

---

The luminaire is powered by 24V DC. A constant voltage LED driver is required to operate the luminaire. The LED driver varies, depending on input voltage and dimming requirements.

It is recommended that two people install the Pipeline Pendant; one to gently support the luminaire while the other makes the electrical and mechanical connections to the ceiling.

For questions regarding installation, please email [info@A-N-D.com](mailto:info@A-N-D.com)



---

## CARE INSTRUCTIONS

Always wear clean gloves when handling the luminaire. Clean painted surfaces with a soft, lint-free cloth. Clean acrylic diffuser with a soft lint-free cloth or an unscented magic eraser pad.

For replacement parts, contact A-N-D directly.



---

## WARNING

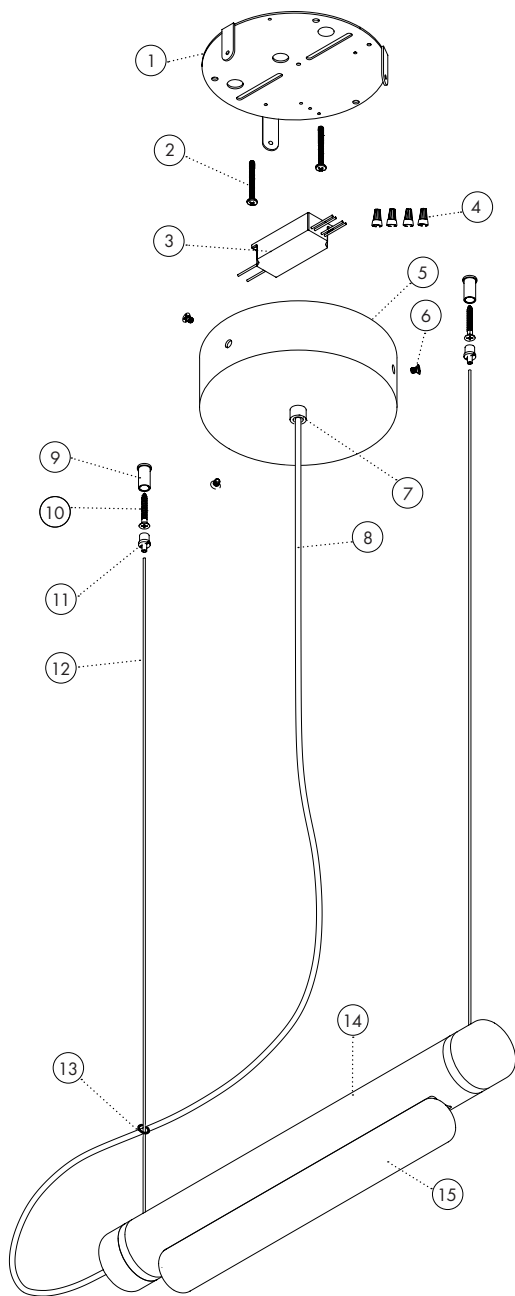
The luminaire must be installed by a qualified electrician in a dry indoor location.

Failure to meet any or all of these criteria will not only damage the luminaire, but will void both the warranty and all of its certifications.

# COMPONENTS



- ① BACKPLATE
- ② #8 SCREW (2)
- ③ LED DRIVER
- ④ WIRE NUT (4)
- ⑤ CANOPY
- ⑥ CANOPY SCREW (3)
- ⑦ STRAIN RELIEF
- ⑧ ELECTRICAL CORD
- ⑨ CEILING ANCHOR (2)
- ⑩ #6 SCREW (2)
- ⑪ CABLE GRIPPER (2)
- ⑫ SUSPENSION CABLE (2)
- ⑬ O-RING (4)
- ⑭ LUMINAIRE BODY
- ⑮ ACRYLIC DIFFUSER



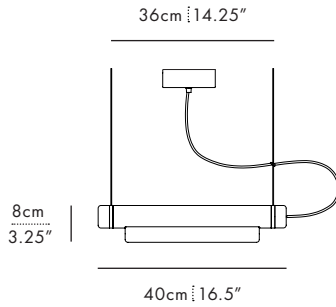
\* PIPELINE 40  
MODEL SHOWN

# PIPELINE OPTIONS

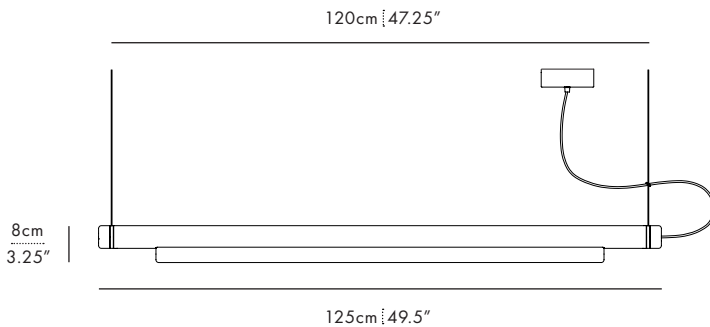
---

The Pipeline Pendant  
is available in 2 sizes:

## PIPELINE 40



## PIPELINE 125



# LED DRIVER OPTIONS



The Pipeline Pendant LED driver varies depending on dimming requirements and input voltage.

Use the ordering code to determine the selected driver:

ie. PIP-40-P-BK-BK-27-010-230

DIMMING --- INPUT VOLTAGE

## PHASE CUT DIMMING (PC)

M-28 SERIES - ES POWER

**INPUT:** 230VAC

**OUTPUT:** 24VDC, 24W

**L x W x H:** 89 x 42 x 31



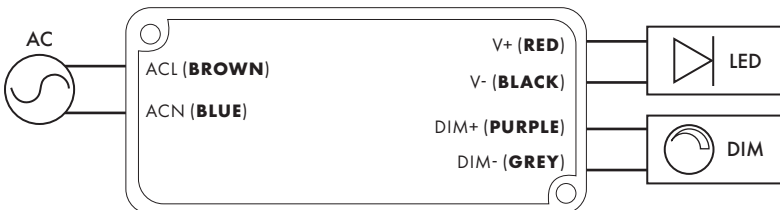
## 0-10 + PWM DIMMING (010)

Q22-P SERIES - ES POWER

**INPUT:** 1108-277VAC

**OUTPUT:** 24VDC, 22W

**L x W x H:** 89 x 42 x 31



# PREPARATION

## STEP 1

**Determine the drop height of the fixture and trim excess cable.**

**Electrical cord length:**

Add an extra 45cm/18" to the drop height. This allows for slack and electrical connections inside the canopy.

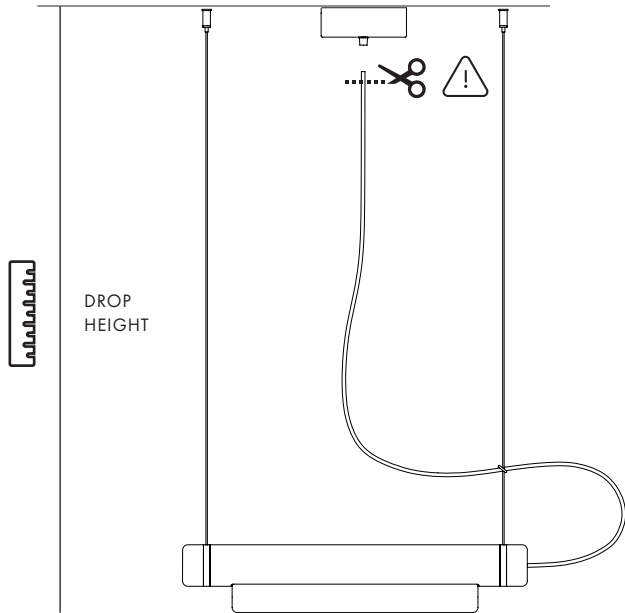
**⚠ Caution!**

The electrical cord must not bear any weight.

**Suspension cable length:**

Do not trim until **STEP 4**.

This allows for any required adjustments.



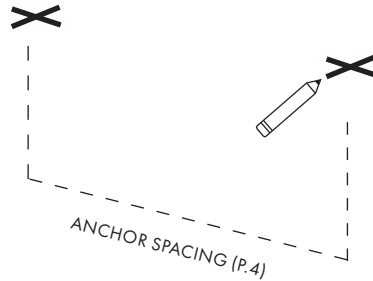
**\* PIPELINE 40  
MODEL SHOWN**

## STEP 2

### Mark the suspension anchor points on the ceiling.

If required, a substrate specific anchor is to be provided by installer. Ex: drywall anchors

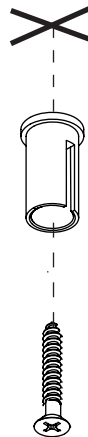
Use the model specific dimensions on **PAGE 4** to determine the anchor spacing.



## STEP 3

### Install the suspension cable anchors on ceiling.

Use the provided #6 screws.



# INSTALLATION

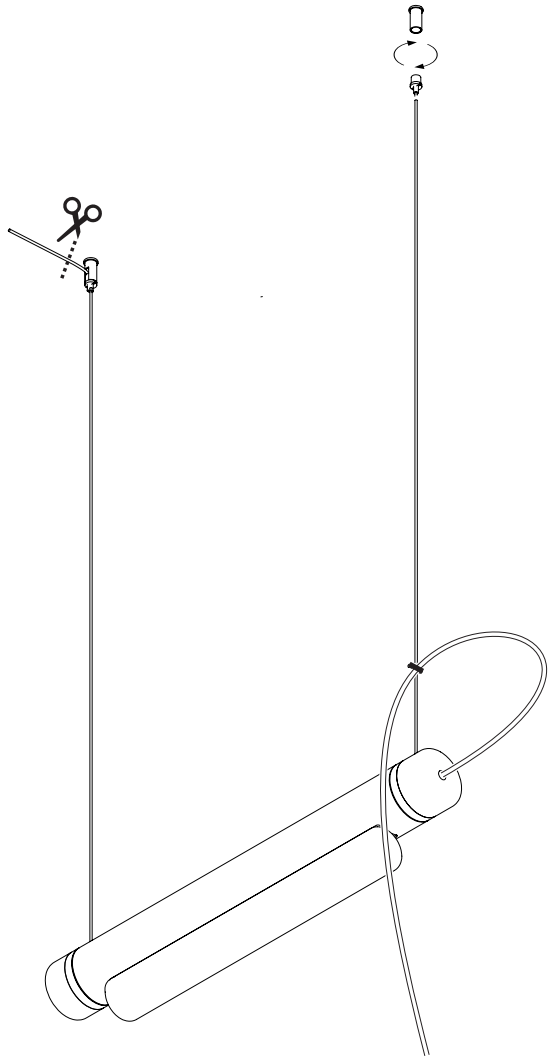
## STEP 4

### Suspend the luminaire and trim the suspension cable.

Attach the suspension cable grippers to the ceiling anchors by threading them clockwise.

Align the suspension cable so that it exits the slot in the side of the ceiling anchor.

To adjust the position of the cable in the cable gripper, push the center pin inwards. This releases the auto-locking mechanism on the cable.



\* PIPELINE 40  
MODEL SHOWN



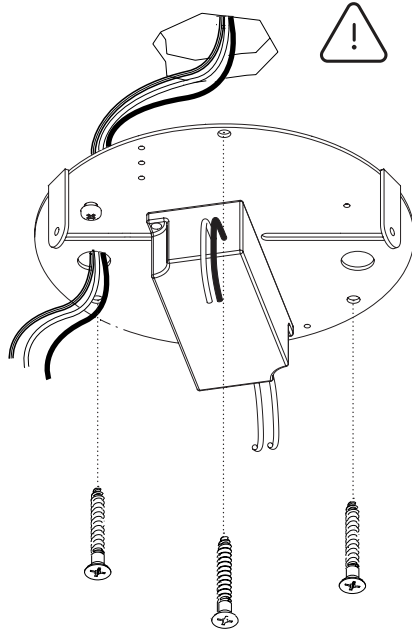
## STEP 5

### Mount the backplate to the ceiling.

Use the provided #8 screws.  
Anchors to be provided by installer.

#### **Caution!**

Ensure that the power is disconnected at the breaker.



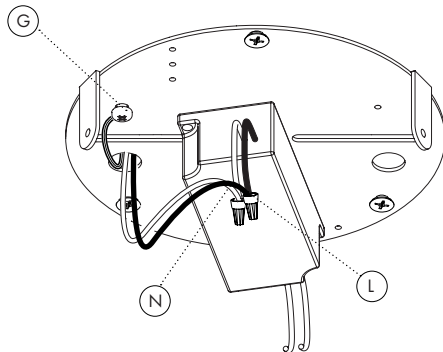
## STEP 6

### Connect the primary circuit on the LED driver to input power. Connect ground.

Black/brown wire = **Line** (L)

White/blue wire = **Neutral** (N)

Green screw = **Ground** (G)



REFER TO PAGE 5: DRIVER OPTIONS FOR MORE DETAILS

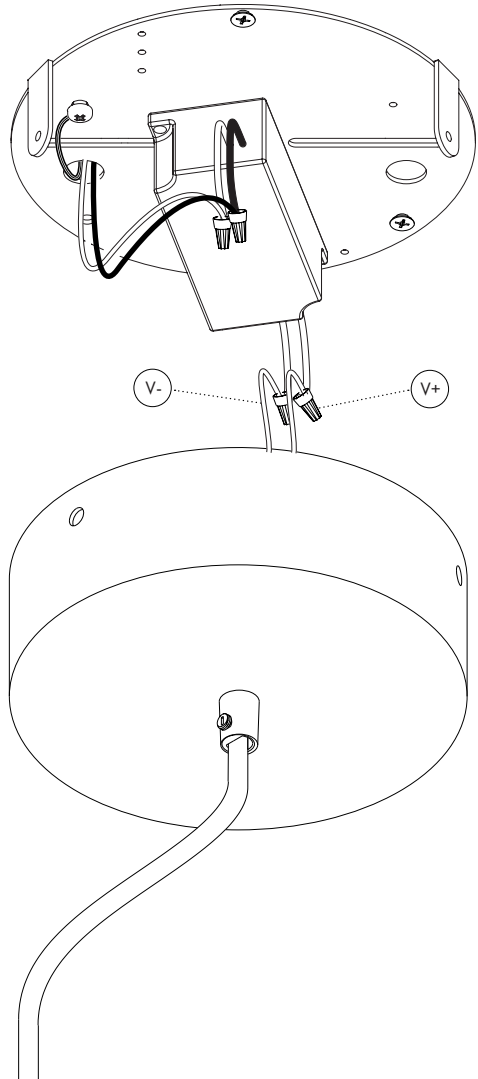
# INSTALLATION

## STEP 7

**Connect the luminaire to secondary circuit on LED driver.**

Dashed line = **Positive** (V+)

Black = **Negative** (V-)



REFER TO PAGE 5: DRIVER OPTIONS FOR MORE DETAILS

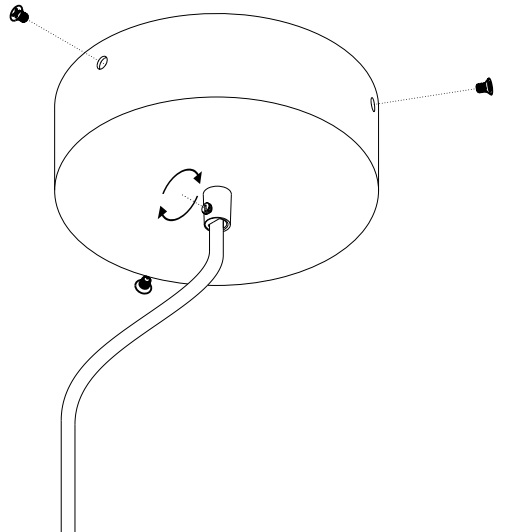
---

### STEP 8

#### Attach the canopy to the backplate and secure the electrical cord.

Use the provided colour matched machine screws to attach the canopy.

Adjust the position of the electrical cord then secure it by tightening the screw on the strain relief until it gently holds it in place.



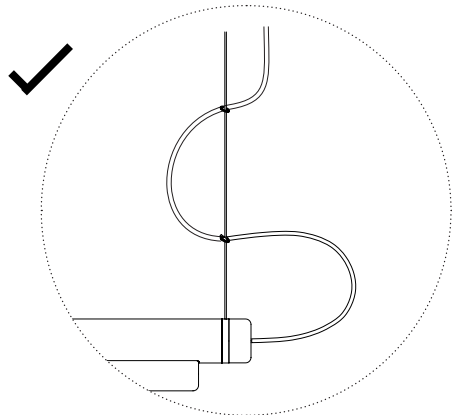

---

### STEP 9

#### Adjust the position of the electrical cord.

Use the O-rings to gently sweep the electrical cord along the suspension cable.

This is a visual element of the Pipeline luminaire.



# A—N—D

For support, please contact:

[info@a-n-d.com](mailto:info@a-n-d.com)

+1 604 563 6938



1951 Franklin St,  
Vancouver, BC  
Canada V5L 0C7

**A-N-D.COM**