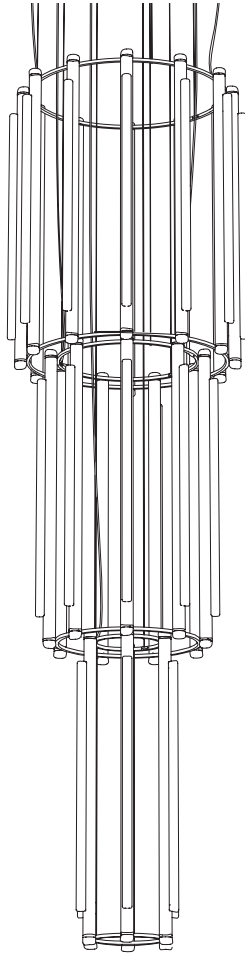


A—N—D

PIPELINE SERIES CHANDELIER – VERTICAL

DESIGNER
CAINE HEINTZMAN



INSTRUCTIONS



SCAN HERE

WORLD MARKET



A-N-D.COM

INSTALLATION NOTES

The luminaire is powered by 24V DC. A constant voltage LED driver is required to operate the luminaire. The LED driver varies, depending on input voltage and dimming requirements.

It is recommended that three people install the Pipeline Chandelier; two installers to gently support the luminaire while the third makes the electrical and mechanical connections to the ceiling.

For questions regarding installation, please email info@n-d.com



CARE INSTRUCTIONS

Always wear clean gloves when handling the luminaire. Clean painted surfaces with a soft, lint-free cloth. Clean acrylic diffuser with a soft lint-free cloth or an unscented magic eraser pad.

For replacement parts, contact A-N-D directly.



WARNING

The luminaire must be installed by a qualified electrician in a dry indoor location.

Failure to meet any or all of these criteria will not only damage the luminaire, but will void both the warranty and all of its certifications.



DANGER

Extremely heavy! Improper installation could lead to serious injury.

A-N-D is not responsible for damages or injury caused by improper installation.

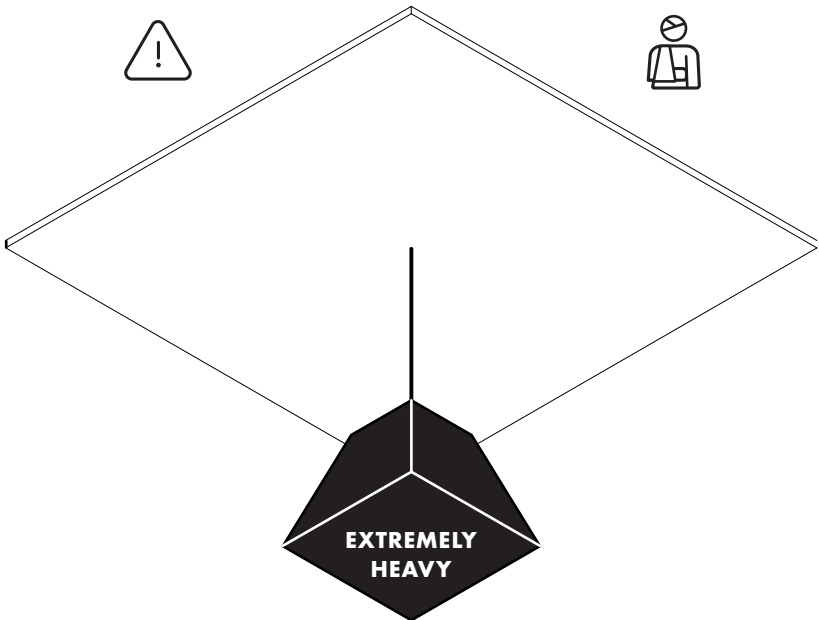
PREPARATION



Reinforcement of the mounting surface is required to suspend this luminaire. Refer to pages 6-11 to establish the weight of the specific model.

Due to weight limits, this luminaire must be installed independantly of the junction box.

It is recommended that a structural engineer assesses the site specific support requirements to ensure a safe installation.



LED DRIVER OPTIONS

The Pipeline Chandelier LED driver varies depending on dimming requirements and input voltage.

Use the ordering code to determine the driver selected:

ie. PIP-CHA-1-BK-27-010-230

DIMMING --- INPUT VOLTAGE

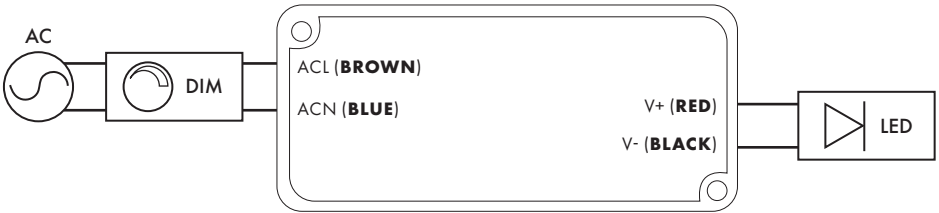
PHASE CUT DIMMING (PC)

M40 SERIES - ES POWER

INPUT: 230VAC

OUTPUT: 24VDC, 75W

L x W x H: 140 x 49 x 32



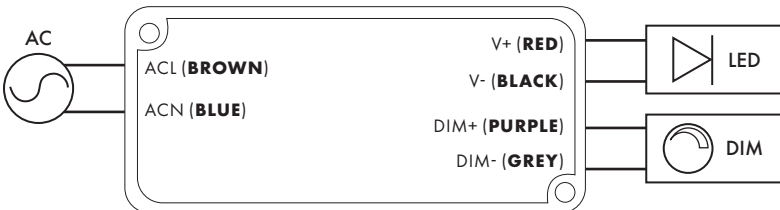
0-10 + PWM DIMMING (010)

Q68-P SERIES - ES POWER

INPUT: 110-277VAC

OUTPUT: 24VDC, 68W

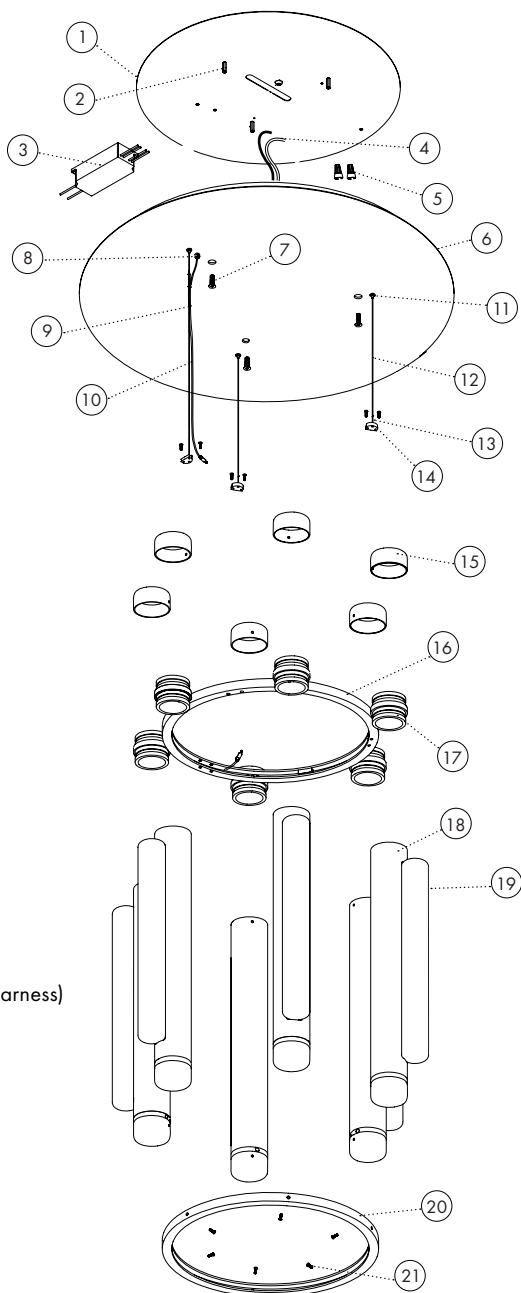
L x W x H: 140 x 49 x 32



COMPONENTS



- ① BACKPLATE
- ② STANDOFF (3-9)
- ③ LED DRIVER (1-9)
- ④ WIRING HARNESS
- ⑤ WIRE NUT (2)
- ⑥ CANOPY
- ⑦ CANOPY SCREW (3-9)
- ⑧ STRAIN RELIEF (3-9)
- ⑨ O-RING (4-36)
- ⑩ ELECTRICAL CORD (1-9)
- ⑪ CABLE GRIPPER (3-9)
- ⑫ SUSPENSION CABLE (3-9)
- ⑬ PUCK SCREW (6-18)
- ⑭ SUSPENSION PUCK (3-9)
- ⑮ ENDCAP (6-27)
- ⑯ TOP RING ASSEMBLY
(powerjack, connectors, wiring harness)
- ⑰ CONNECTOR (12-54)
- ⑱ LUMINAIRE BODY (6-27)
- ⑲ ACRYLIC DIFFUSER (6-27)
- ⑳ BOTTOM RING
- ㉑ RING SCREW



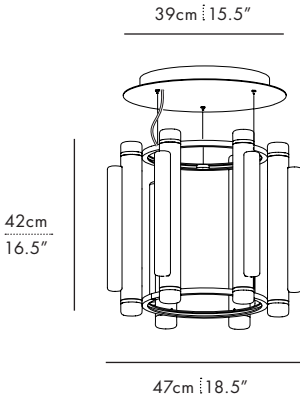
* CHA-1
MODEL SHOWN

PIPELINE CHANDELIER OPTIONS

ONE-TIER

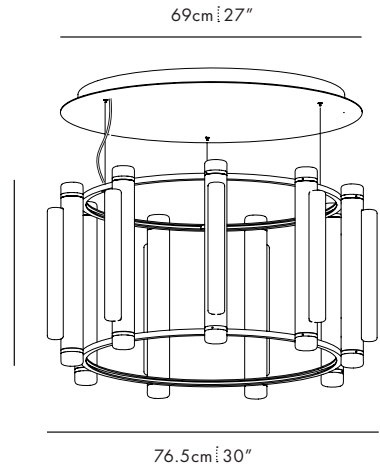
PIP-CHA-1

45 lbs / 20 kg



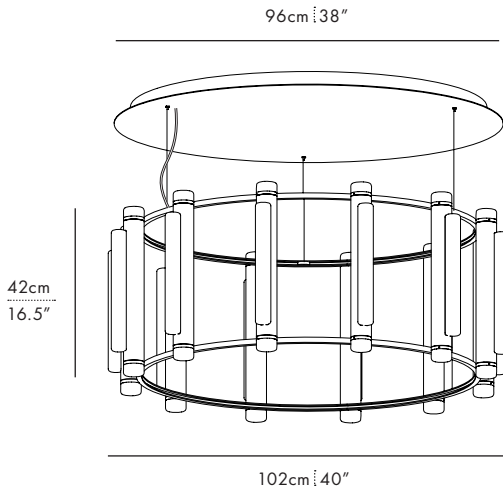
PIP-CHA-2

55 lbs / 25 kg



PIP-CHA-3

65 lbs / 30 kg

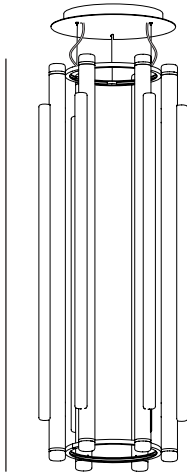


PIP-CHA-4

100 lbs / 45 kg

39cm | 15.5"

125cm
49.5"



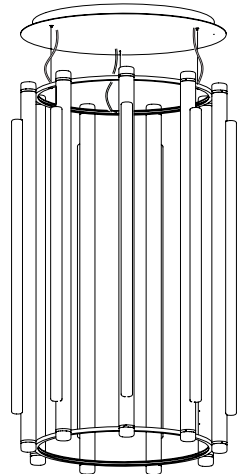
47cm | 18.5"

PIP-CHA-5

130 lbs / 60 kg

69cm | 27"

125cm
49.5"



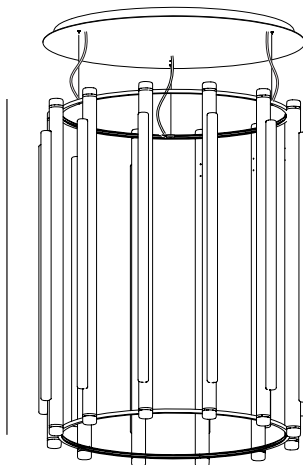
76.5cm | 30"

PIP-CHA-6

170 lbs / 77 kg

96cm | 38"

125cm
49.5"



102cm | 40"

PIPELINE CHANDELIER OPTIONS

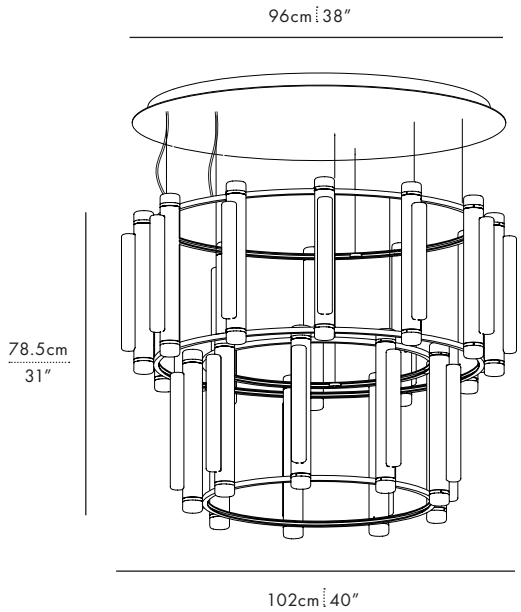
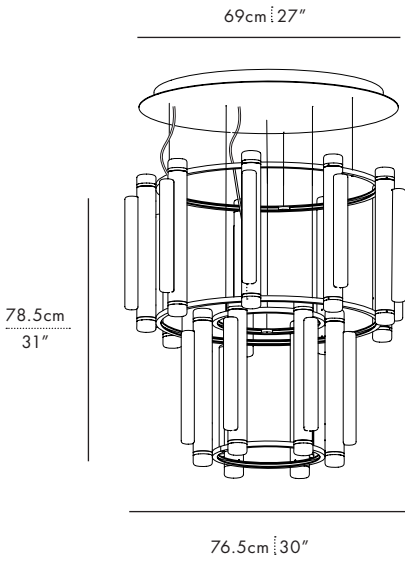
TWO-TIER

PIP-CHA-7

70 lbs / 32 kg

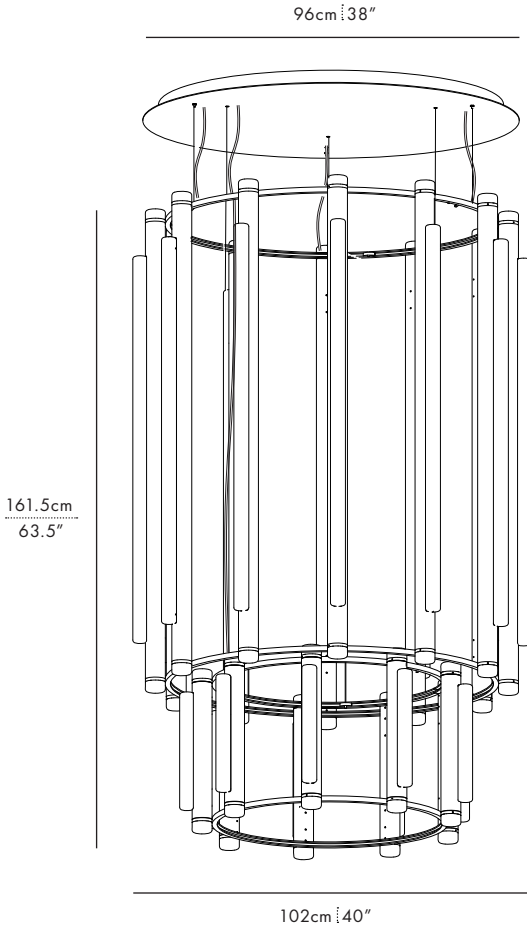
PIP-CHA-8

87.5 lbs / 40 kg



PIP-CHA-9

190lbs / 85 kg



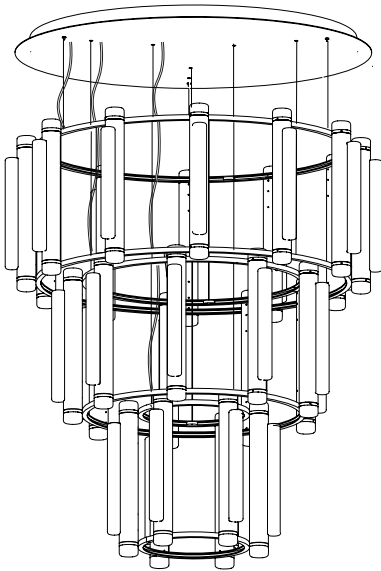
PIPELINE CHANDELIER OPTIONS

THREE-TIER

PIP-CHA-10

105 lbs / 48 kg

96cm | 38"



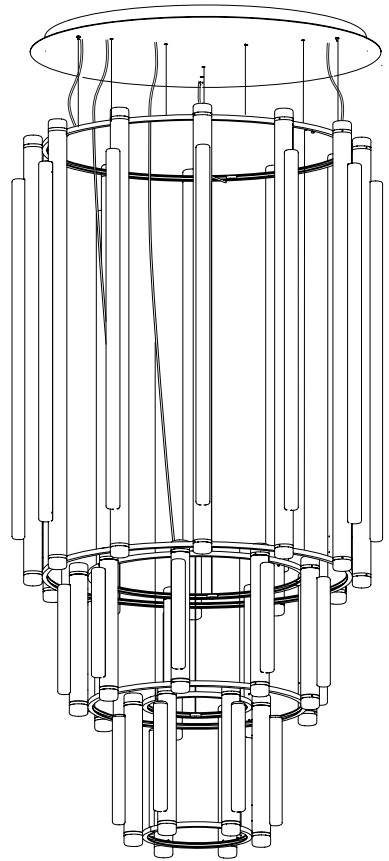
114.5cm
45"

102cm | 40"

PIP-CHA-11

205 lbs / 93 kg

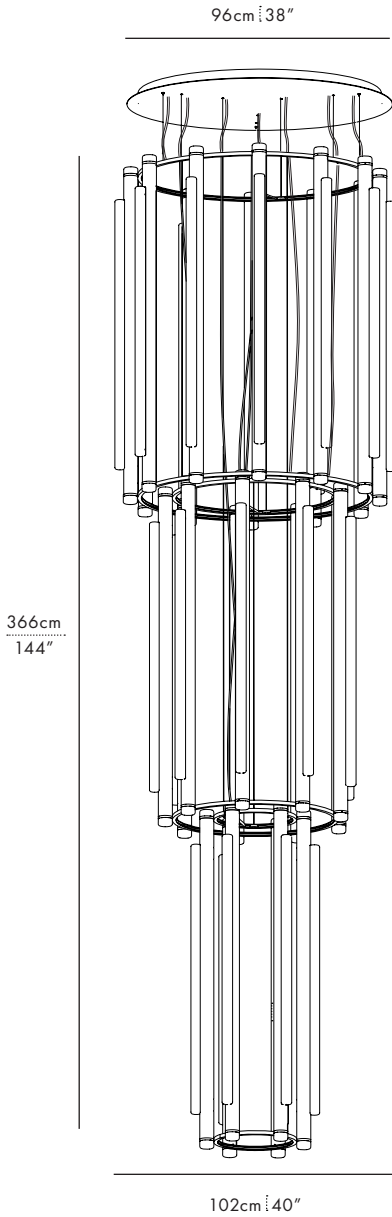
96cm | 38"



198cm
78"

102cm | 40"

PIP-CHA-12
 335 lbs / 152 kg



INSTALLATION

STEP 1

Attach the backplate to a reinforced ceiling.

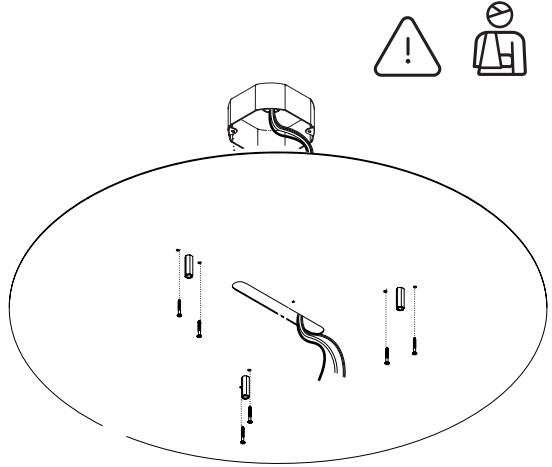
The installer must provide the mounting hardware required to meet site specifications.

⚠ Caution!

Ensure power is disconnected prior to installation.

⚠ Danger!

Ensure mounting surface is adequately reinforced prior to installation.



* CHA-4
MODEL SHOWN

STEP 2

Connect the wiring harness to input power. Connect ground.

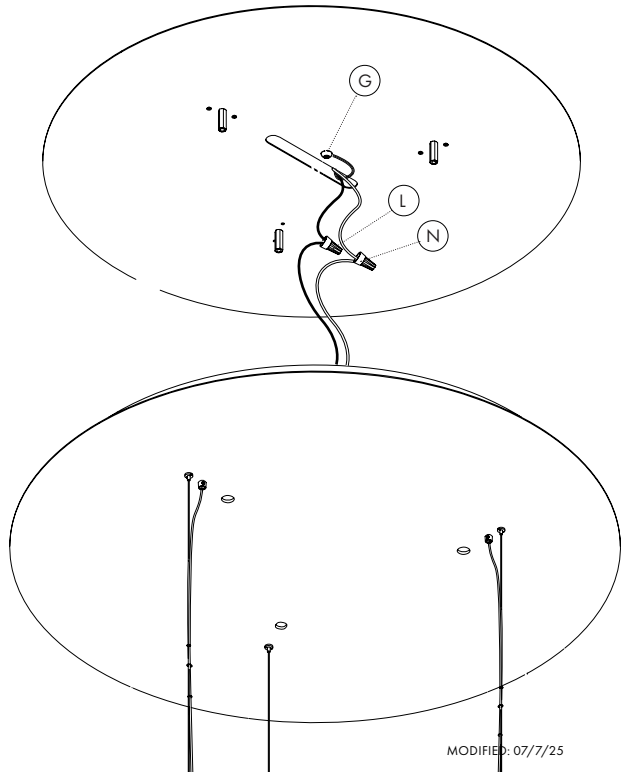
Black/brown wire = **Line** (L)

White/blue wire = **Neutral** (N)

Green screw = **Ground** (G)

For ease of installation, the primary circuit on the LED drivers are pre-wired to a wiring harness. The installer must only make a single connection to input power.

The electrical cords that supply 24VDC to the luminaire are pre-wired to the secondary circuit on the LED driver.



STEP 3

Attach the canopy to the backplate.

Use the provided canopy screws.

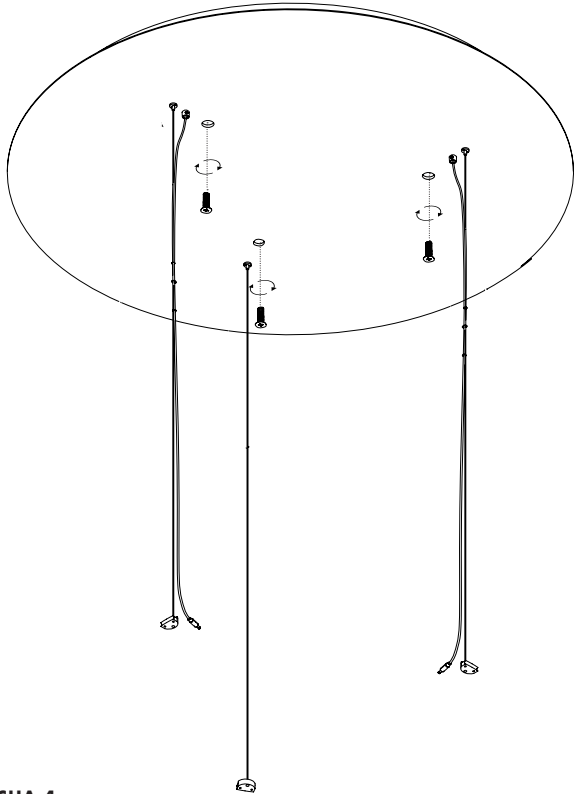
Tighten the screws until the canopy edge is tight to the ceiling.

NOTE:

The quantity of mounting screws varies depending on the Pipeline Chandelier model.

Do not adjust the electrical cords and suspension cable lengths.

The Chandelier ships with the electrical cords and suspension cables pre-adjusted to a length specified by the client.



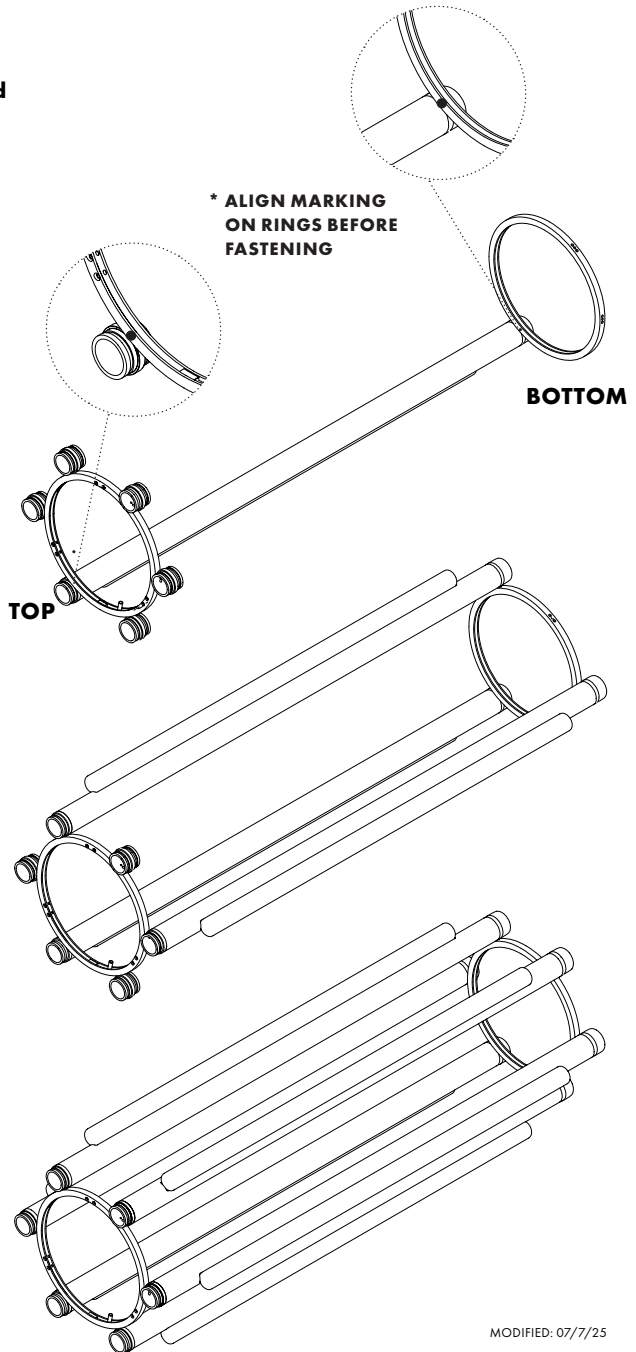
* CHA-4
MODEL SHOWN

INSTALLATION

STEP 4

Assemble the luminaire sections onto the top and bottom rings.

For easy installation, begin by attaching every second luminaire section and rotate. Repeat sequence until all sections are attached.



4A

Align the rings correctly. The countersinks on the holes must face outwards.

Incorrect alignment of the rings will prevent the correct installation of the electrical wires and suspension cables.

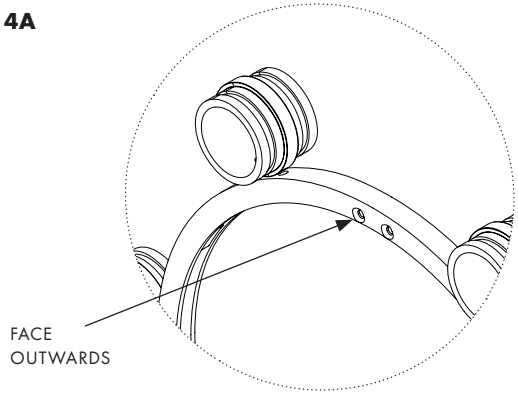
4B

Use the provided hex key and set screws to attach the luminaire sections to the top ring.

4C

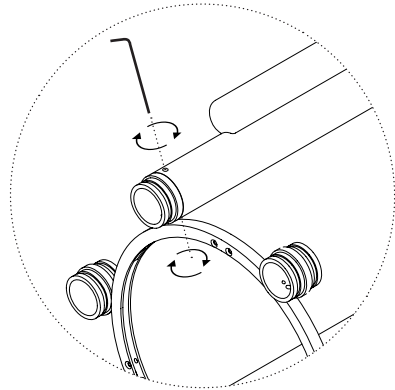
Use the provided ring screws to attach the luminaire section to the bottom ring.

4A



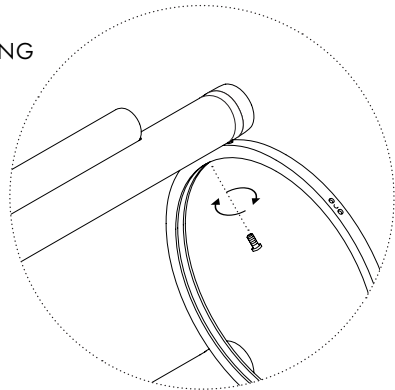
4B

TOP RING



4C

BOTTOM RING



INSTALLATION

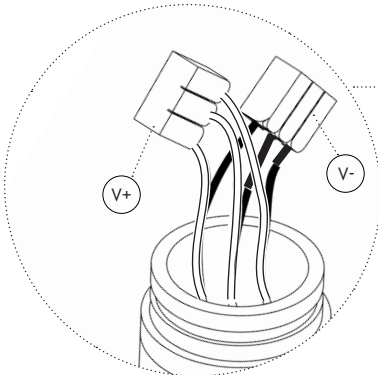
STEP 5

Connect the internal electrical wires.

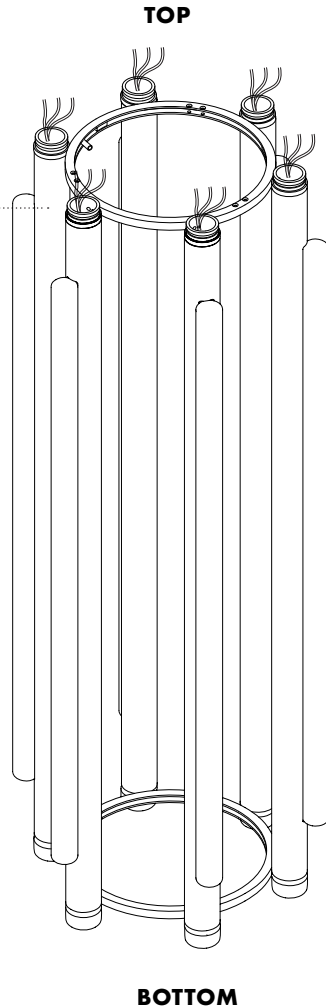
Red wire to red wire (V+)

Black wire to black wire (V-)

When complete, push the electrical connections inside the luminaire sections.



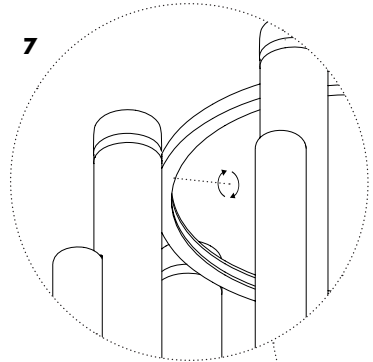
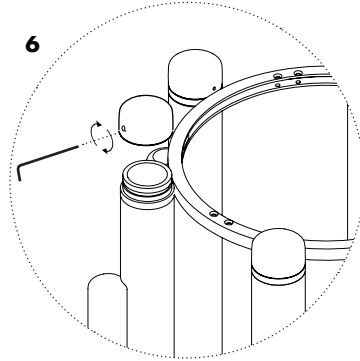
* CHA-4
MODEL SHOWN



STEP 6

Attach the end caps.

Use the provided set screws and hex key to attach the end caps to the luminaire sections.



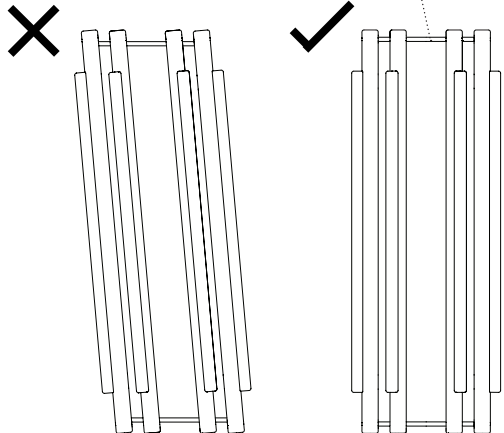
STEP 7

Adjust the alignment of the luminaire sections.

After assembly, the Pipeline Chandelier may lean to one side.

Where necessary, reposition the luminaire sections so that they are perpendicular to the top and bottom rings.

Tighten all the screws on the top and bottom ring to secure the position.



INSTALLATION

STEP 8

**Suspend the Chandelier.
Connect electrical cords.**

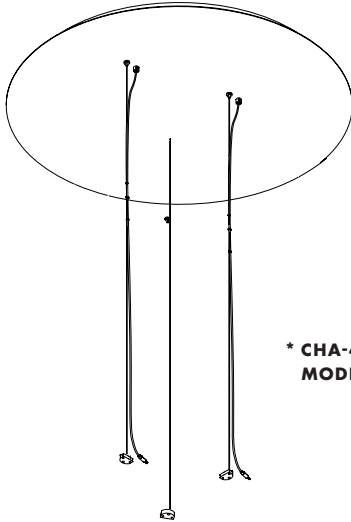
8A

Insert the Suspension Pucks into the Top Ring.

Use the provided Screws and Hex key to attach the Suspension Pucks to the Rings.

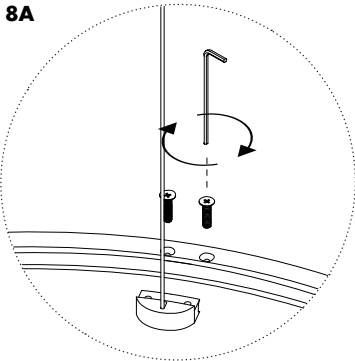
8B

Connect the electrical cords to the power jacks on the Ring.

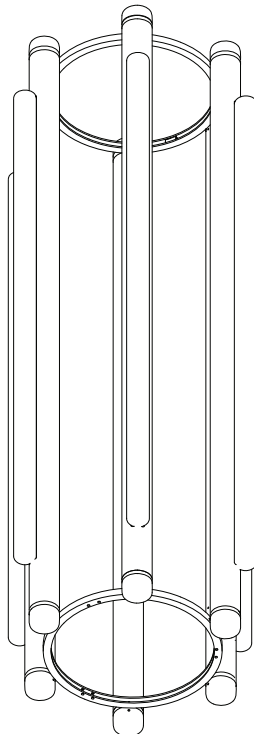
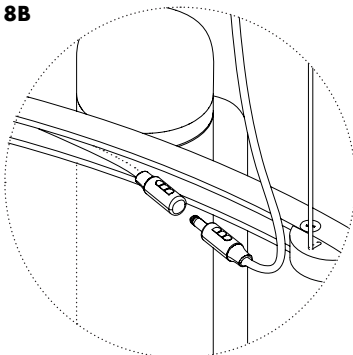


* CHA-4
MODEL SHOWN

8A



8B

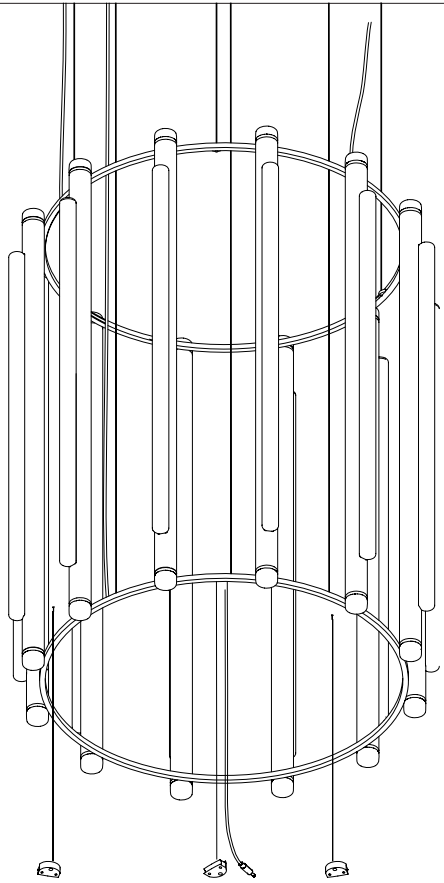


If suspending multiple tiers:

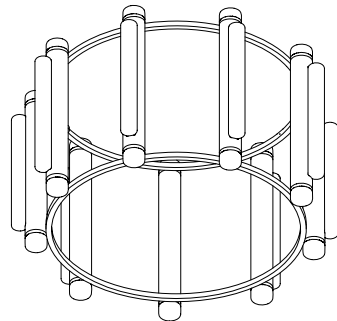
If suspending multiple tiers, suspend the highest section first and the lowest section last.

NOTE:

Supporting the Chandelier during installation with a lift or scaffolding is highly recommended for both ease and safety.



*** CHA-9
MODEL SHOWN**



A—N—D

For support, please contact:

info@a-n-d.com

+1 604 563 6938



1951 Franklin St,
Vancouver, BC
Canada V5L 0C7

A-N-D.COM