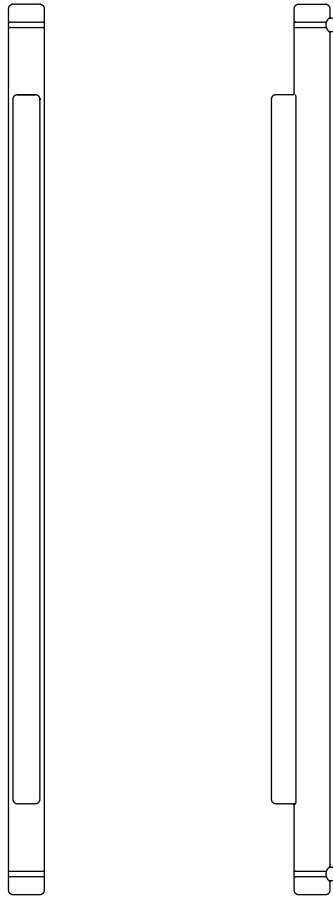


A—N—D

PIPELINE SERIES CEILING/WALL 40+125

DESIGNER
CAINE HEINTZMAN



INSTRUCTIONS



SCAN HERE

WORLD MARKET



A-N-D.COM

INSTALLATION NOTES

It is recommended that two people install the Pipeline Ceiling/Wall; one to gently support the luminaire while the other makes the electrical and mechanical connections.

Both installers should wear clean gloves and take great care not to damage the luminaire.

For questions regarding installation, please email info@n-d.com



CARE INSTRUCTIONS

Always wear clean gloves when handling the luminaire. Clean finished surfaces with a soft, lint-free cloth. Clean acrylic diffuser with a soft lint-free cloth or an unscented magic eraser pad.

For replacement parts contact A-N-D directly. Never exceed the recommended wattage, as doing so may damage the luminaire or cause a fire.



WARNING

The luminaire must be installed by a qualified electrician in a dry indoor location.

Failure to meet any or all of these criteria will not only damage the luminaire, but will void both the warranty and all of its certifications.

Always ensure circuit breaker is off prior to making electrical connections.

LED DRIVER OPTIONS



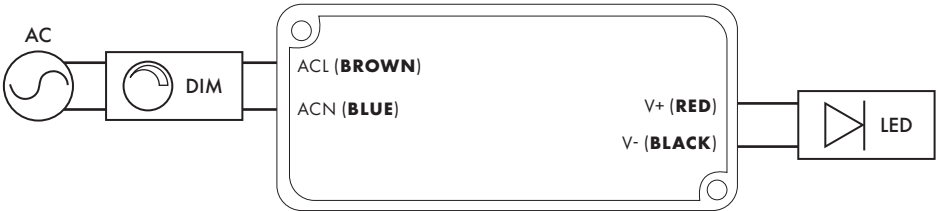
The Pipeline CW LED driver varies depending on dimming requirements and input voltage.

Use the ordering code to determine the selected driver:
ie. PIP-40-CW-BK-BK-27-010-230

DIMMING --- INPUT VOLTAGE

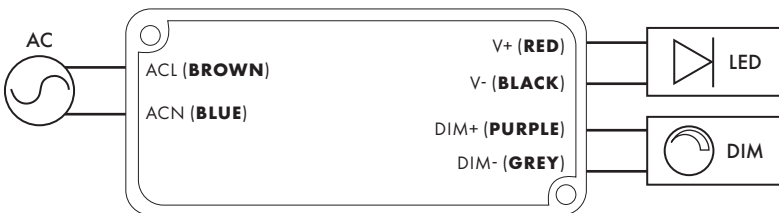
PHASE CUT DIMMING

M-28 SERIES - ES POWER
INPUT: 230VAC
OUTPUT: 24VDC, 24W
L x W x H: 89 x 42 x 31



0-10 + PWM DIMMING

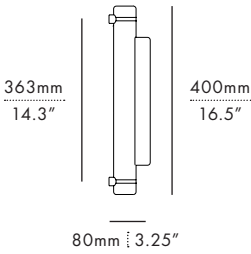
Q22-P SERIES - ES POWER
INPUT: 110-277VAC
OUTPUT: 24VDC, 22W
L x W x H: 89 x 42 x 31



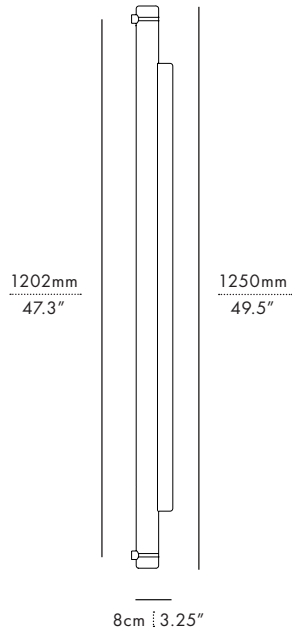
PIPELINE OPTIONS

The Pipeline Ceiling/Wall is available in 2 sizes, and can be installed on a ceiling or wall, vertically or horizontally.

PIPELINE 40



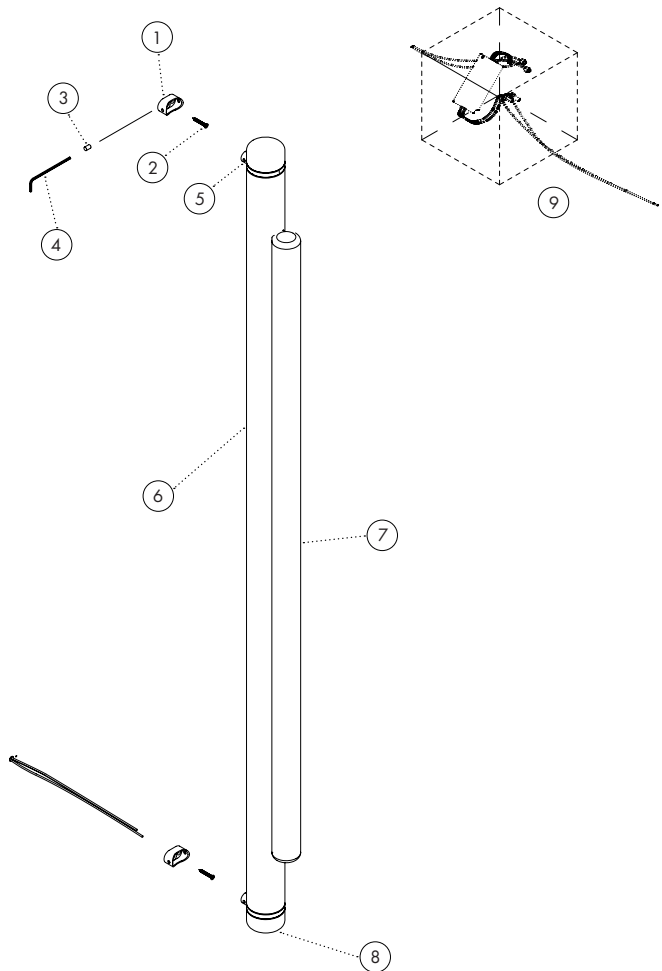
PIPELINE 125



COMPONENTS



- ① MOUNTING SHOE (2)
- ② #6 SURFACE MOUNTING SCREW (2)
- ③ SET SCREW (4)
- ④ HEX KEY
- ⑤ MOUNTING FOOT (2)
- ⑥ LUMINAIRE BODY
- ⑦ ACRYLIC DIFFUSER
- ⑧ ENDCAP (2)
- ⑨ DRIVER (REMOTE)



* PIPELINE CW 125
MODEL SHOWN

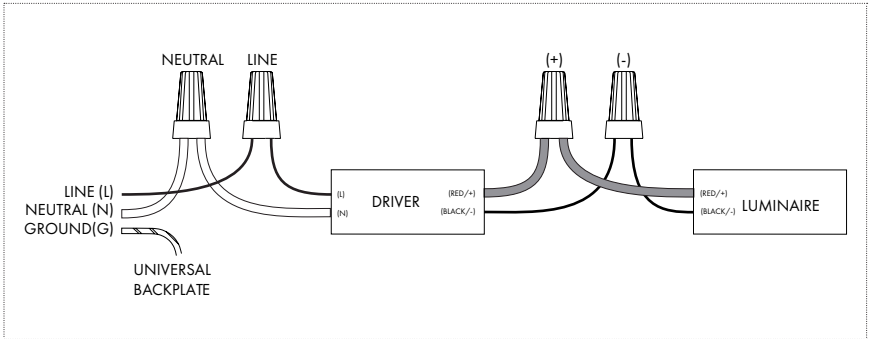
INSTALLATION

STEP 1

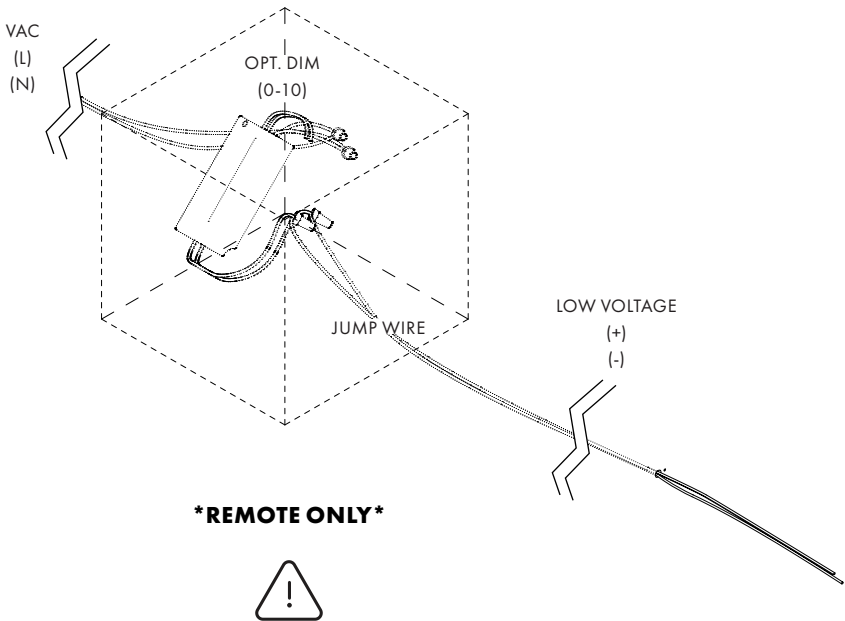
Turn off breaker.

Following driver **PAGE 3** and wiring diagram, connect mains to remote driver, and run low voltage wire to wall opening.

Wires should protrude a minimum length of 150mm / 6".



REFER TO PAGE 3: DRIVER OPTIONS FOR MORE DETAILS



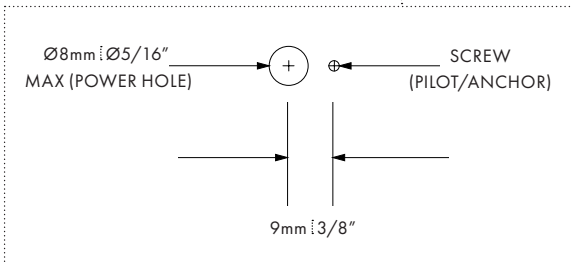
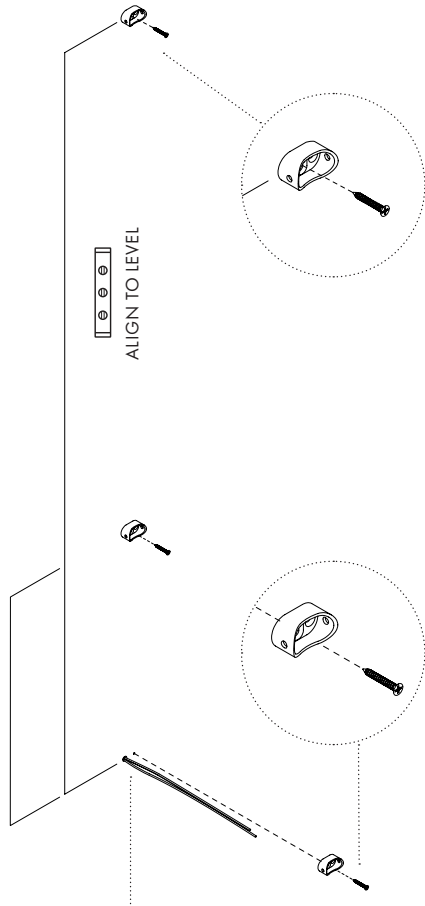
INSTALLATION

STEP 2

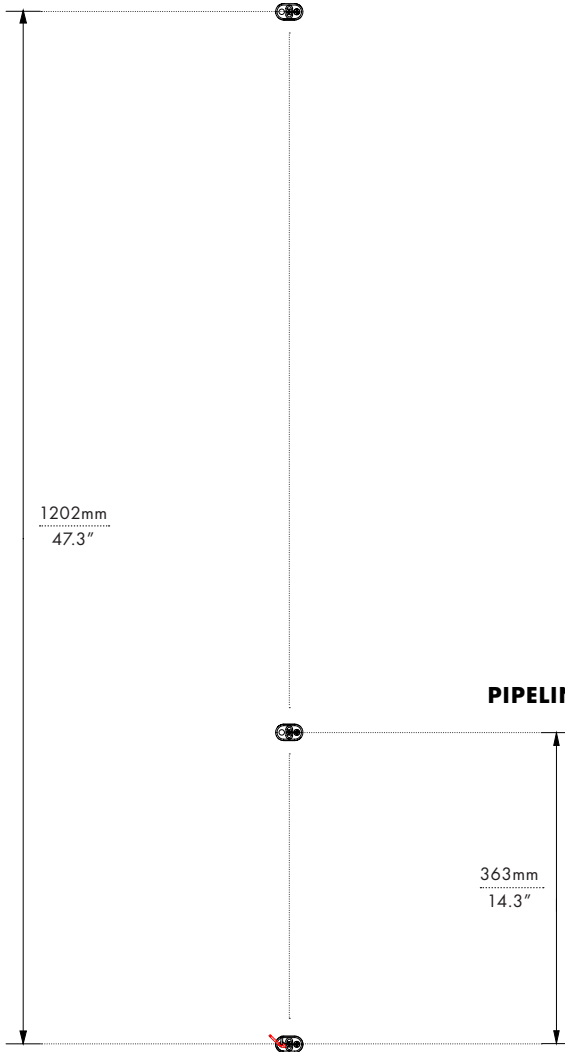
Measure, mark and drill a pilot hole for the mounting screw. Insert surface anchors if necessary (not provided).

Feed the jump wire through the shoe and fasten to the surface using the #6 screw.

Measure and fasten the next Pipeline shoe referring to the corresponding measurements for your model.



PIPELINE 125

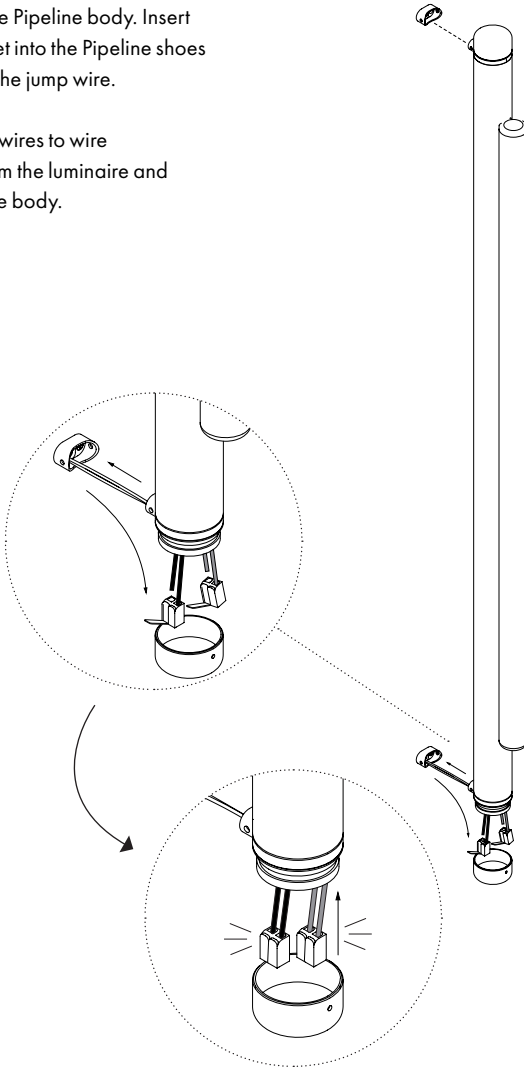


INSTALLATION

STEP 3

Feed the jump wire through the Pipeline foot and out the bottom of the open end of the Pipeline body. Insert the Pipeline feet into the Pipeline shoes while guiding the jump wire.

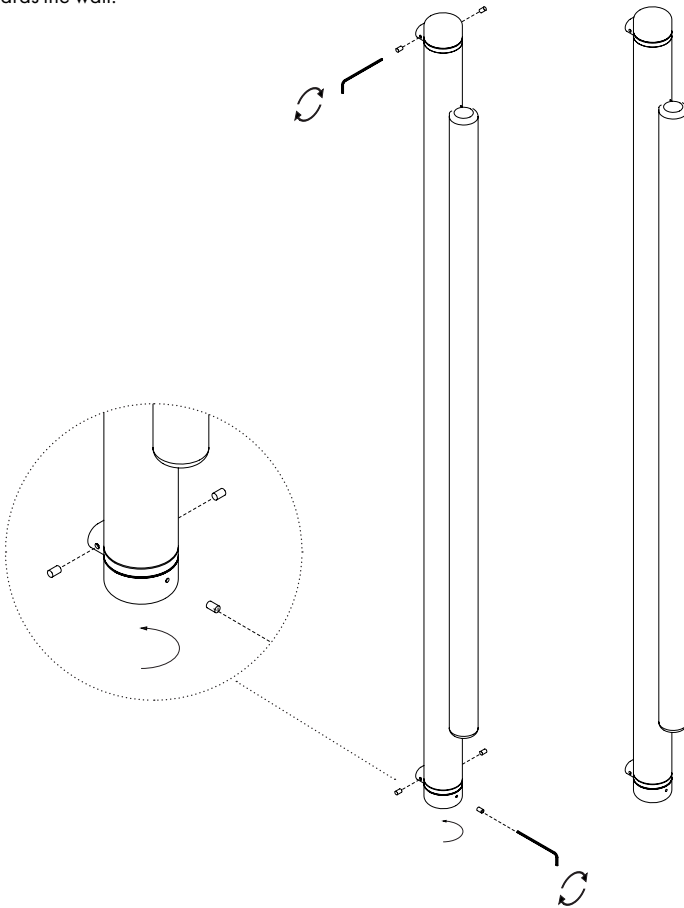
Connect jump wires to wire connectors from the luminaire and replace into the body.



STEP 4

Fasten the feet into the shoes using provided hex key and set screws.

Place the endcap onto the luminaire and secure with set screw. Once secure turn endcap so screw is facing towards the wall.



A—N—D

For support, please contact:

info@a-n-d.com

+1 604 563 6938



1951 Franklin St,
Vancouver, BC
Canada V5L 0C7

A-N-D.COM