

A—N—D

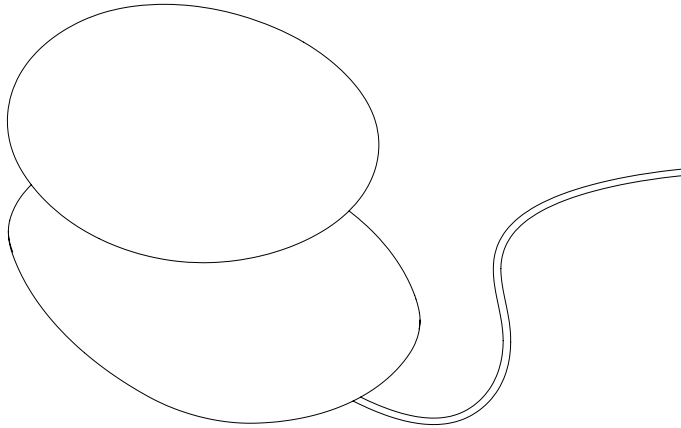
PEBBLE SERIES TABLE

DESIGNER
LUKAS PEET

INSTRUCTIONS



SCAN HERE



NORTH AMERICA + WORLD

A-N-D.COM

INSTALLATION NOTES

The luminaire is powered by a plug in LED driver.

For questions regarding installation, please email **info@n-d.com**



CARE INSTRUCTIONS

Always wear clean gloves when handling the luminaire. Clean finished surfaces with a soft, lint-free cloth. Clean glass diffuser with a microfibre cloth and a standard glass cleaner.

For replacement parts contact A-N-D directly.



WARNING

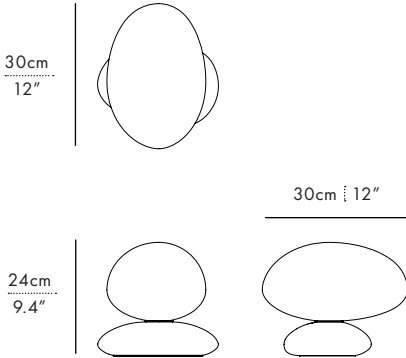
The luminaire must be installed by a qualified electrician in a dry indoor location.

Failure to meet any or all of these criteria will not only damage the luminaire, but will void both the warranty and all of its certifications.

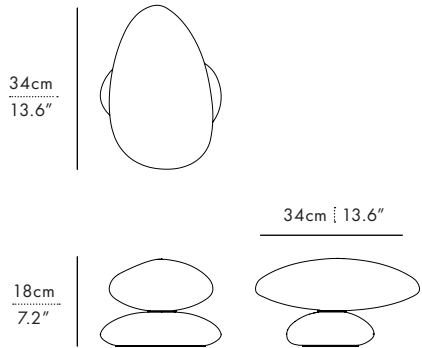
PEBBLE TABLE DIMENSIONS

The Pebble Table is available in 4 sizes.

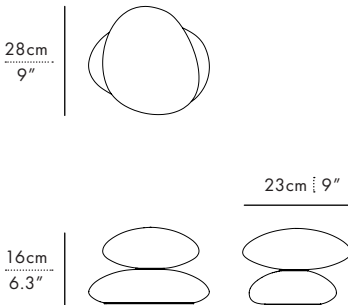
PEBBLE TABLE A



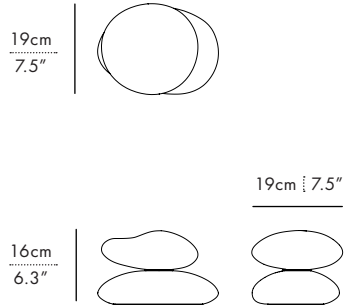
PEBBLE TABLE B



PEBBLE TABLE C



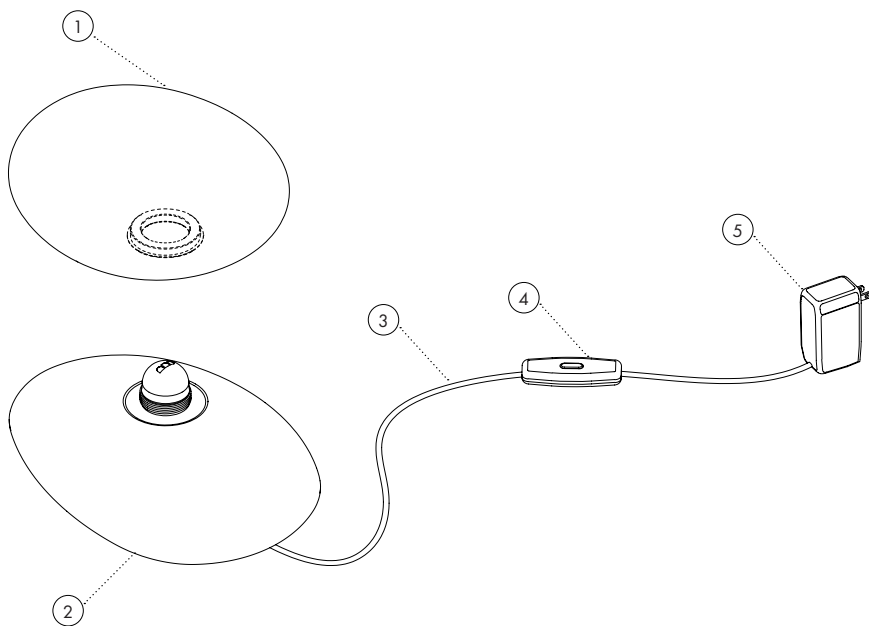
PEBBLE TABLE D



COMPONENTS



- ① GLASS
- ② CONCRETE BASE
- ③ POWER CORD
- ④ DIMMER SWITCH
- ⑤ PLUG IN DRIVER



INSTALLATION

STEP 1

Attach the glass diffuser to the concrete base.

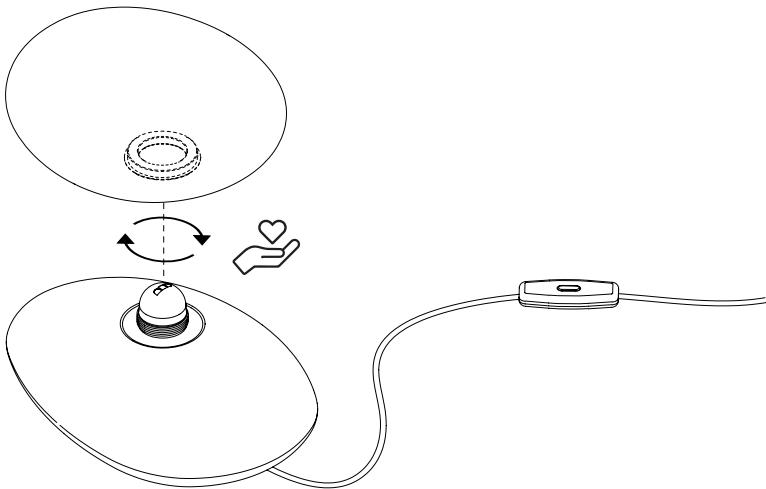
Turn the glass diffuser clockwise until it touches the base of the luminaire.

⚠ Caution!

Do not use force to thread the glass diffuser. Take great care not to misalign the threads. Proper alignment will result in the glass diffuser spinning easily into place.

⚠ Attention!

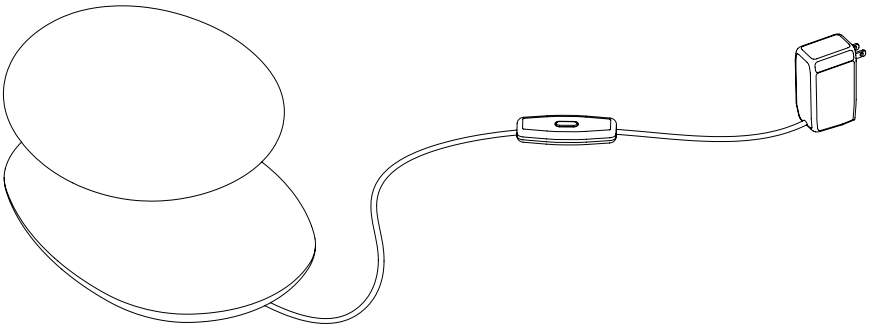
Remove rings/jewelry from fingers to prevent damage during this step.



STEP 2

Plug in driver.

Press and hold dimmer switch to reach the desired light output.



A—N—D

For support, please contact:

info@a-n-d.com

+1 604 563 6938



1951 Franklin St,
Vancouver, BC
Canada V5L 0C7

A-N-D.COM