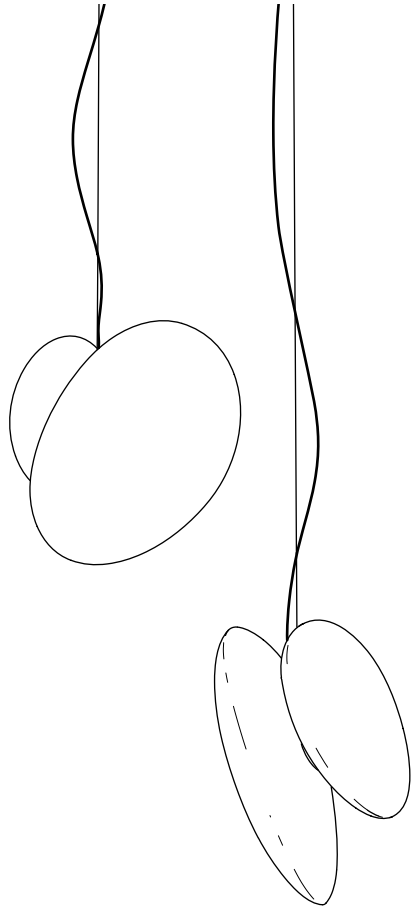


A—N—D

PEBBLE SERIES PENDANT

DESIGNER
LUKAS PEET



INSTRUCTIONS



SCAN HERE

WORLD MARKET



A-N-D.COM

INSTALLATION NOTES

The luminaire is powered by 350mA. A constant current LED driver is required to operate the luminaire. The LED driver varies depending on input voltage and dimming requirements.

For questions regarding installation, please email info@n-d.com



CARE INSTRUCTIONS

Always wear clean gloves when handling the luminaire. Clean finished surfaces with a soft, lint-free cloth. Clean glass diffuser with a microfibre cloth and a standard glass cleaner. When changing light bulb, turn fixture off and allow to cool to room temperature prior to removing glass.

For replacement parts contact A-N-D directly.



WARNING

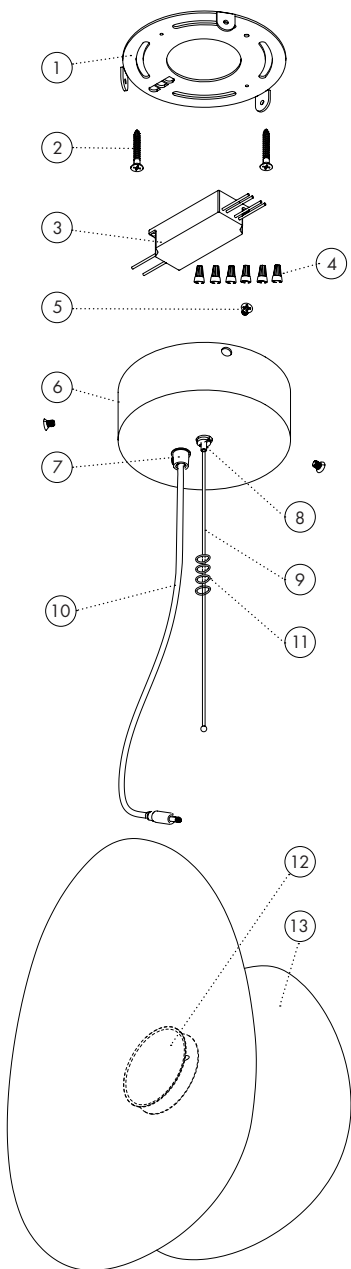
The luminaire must be installed by a qualified electrician in a dry indoor location.

Failure to meet any or all of these criteria will not only damage the luminaire, but will void both the warranty and all of its certifications.

COMPONENTS



- ① BACKPLATE
- ② #8 SCREWS (2)
- ③ LED DRIVER
- ④ WIRE NUT (6)
- ⑤ CANOPY SCREWS (3)
- ⑥ CANOPY
- ⑦ STRAIN RELIEF
- ⑧ CABLE GRIPPER
- ⑨ SUSPENSION CABLE
- ⑩ ELECTRICAL CORD
- ⑪ O-RING (4)
- ⑫ LUMINAIRE BODY
- ⑬ GLASS DIFFUSER (2)

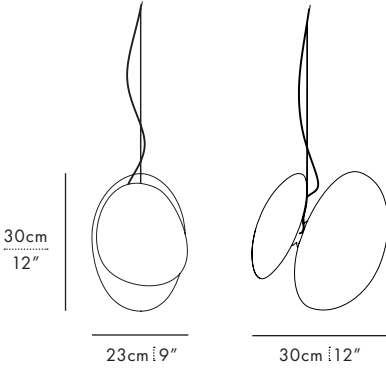


PEBBLE OPTIONS

The Pebble Pendant is available in
4 size combinations:

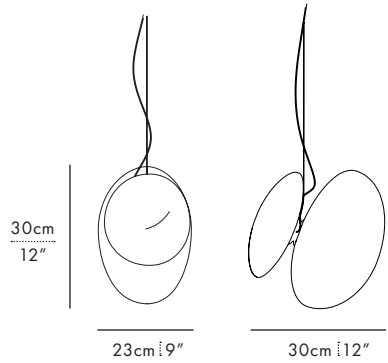
PEBBLE A/C

*actual Pebble glass orientation may differ



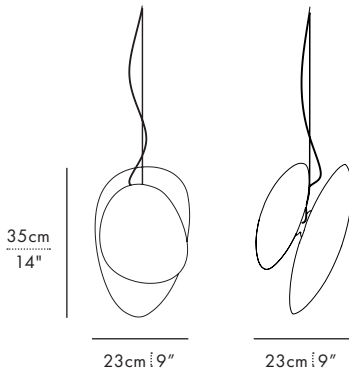
PEBBLE A/D

*actual Pebble glass orientation may differ



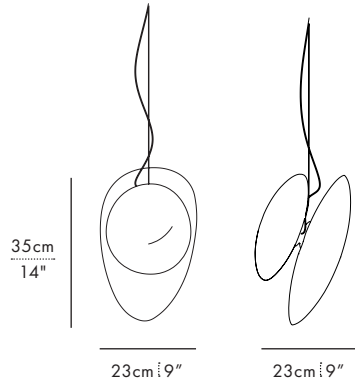
PEBBLE B/C

*actual Pebble glass orientation may differ



PEBBLE B/D

*actual Pebble glass orientation may differ



LED DRIVER OPTIONS



The Pebble Pendant LED driver varies depending on dimming requirements and input voltage.

Use the ordering code to determine the selected driver:
ie. PEB-P-A-SL-B-CL-010-277

DIMMING --- INPUT VOLTAGE

This universal dimming power supply can be controlled via 0-10 dimming or Phase Cut on primary.

ESS015 SERIES - ERP

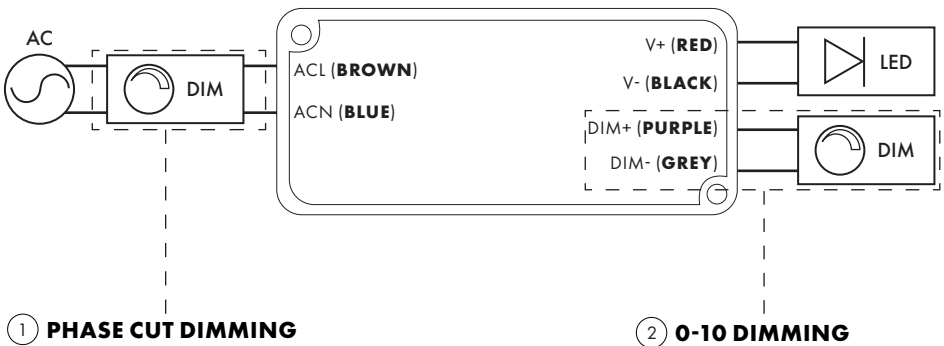
INPUT: 120-277VAC

OUTPUT: 350mA, 15W

L x W x H: 85 x 31 x 31

DIMMING OPTIONS

- ① PHASE CUT (PC)
- ② 0-10



PREPARATION

STEP 1

Determine the drop height of the fixture and trim excess cable.

Suspension cable length:

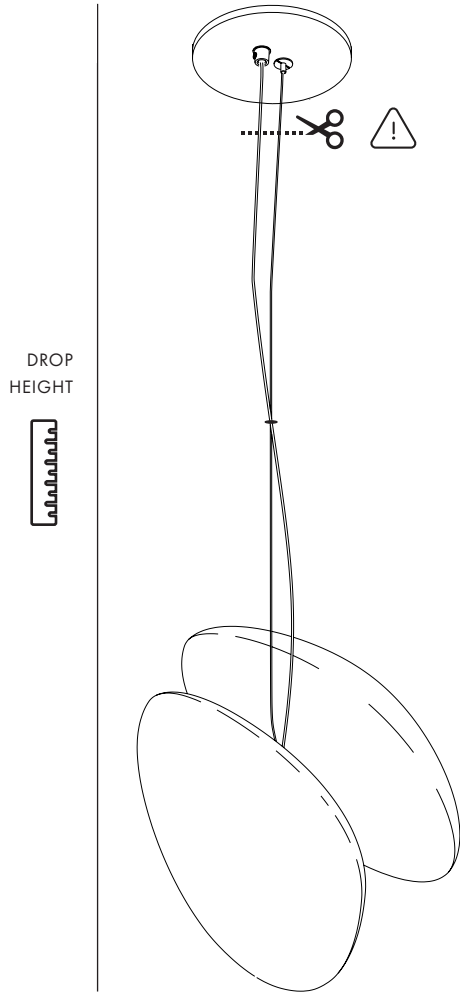
Calculate the length of the cable to the center point of the luminaire. Leave an extra 15cm/ 6" for final height adjustments.

Electrical cord length:

Add an extra 45cm/18" to the drop height. This allows for slack, and electrical connections inside the canopy.

⚠ Caution!

The electrical cord must not bear any weight.



INSTALLATION



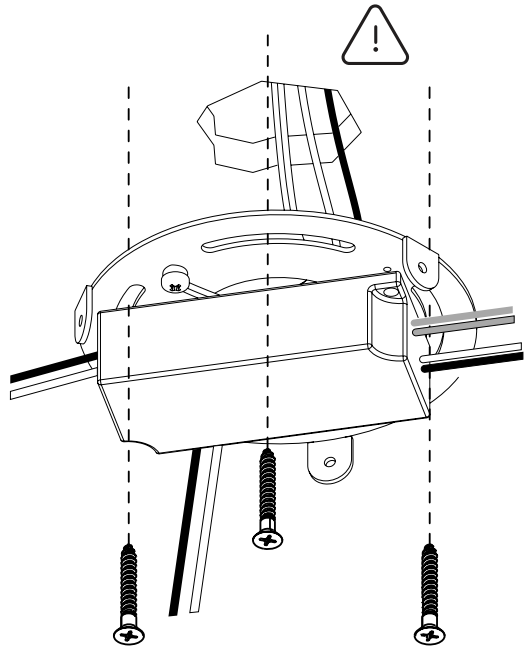
STEP 2

Attach the backplate to the ceiling.

Use the provided #8 screws.

⚠ Caution!

Ensure that the power is disconnected.



REFER TO PAGE 5: DRIVER OPTIONS FOR MORE DETAILS

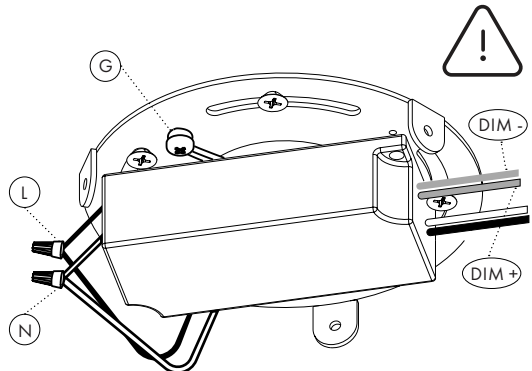
STEP 2

Ensure the power is disconnected and connect the input power to the primary circuit on the LED driver. Connect ground.

Black/brown wire = **Line** (L)

White/blue wire = **Neutral** (N)

Green screw = **Ground** (G)



⚠ ATTENTION!

If using Phase Cut dimming, cap the purple DIM+ and grey DIM- wires and ignore them.

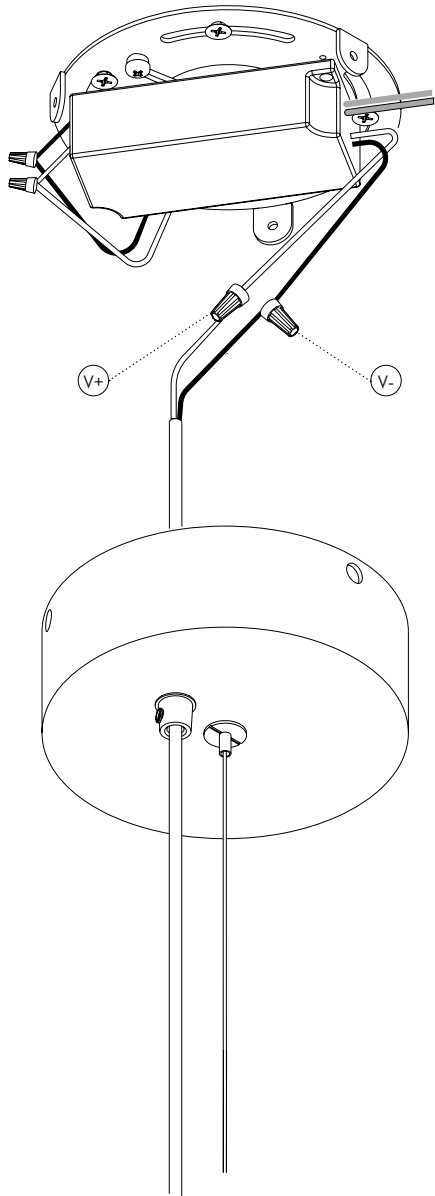
INSTALLATION

STEP 4

Connect the luminaire to secondary circuit on LED driver.

Red wire = **Positive** (V+)

Black wire = **Negative** (V-)

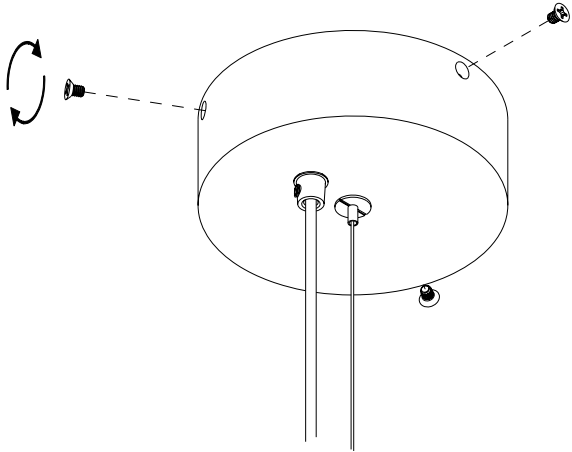


REFER TO PAGE 5: DRIVER OPTIONS FOR MORE DETAILS

STEP 5

Attach the canopy to the backplate.

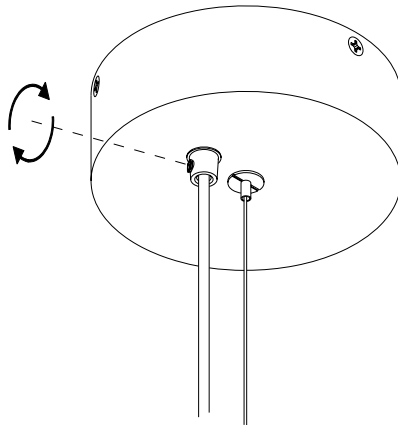
Use the colour matched canopy screws.



STEP 6

Secure the electrical cord in position.

Turn the screw on the strain relief until it grips the electrical cord.



INSTALLATION

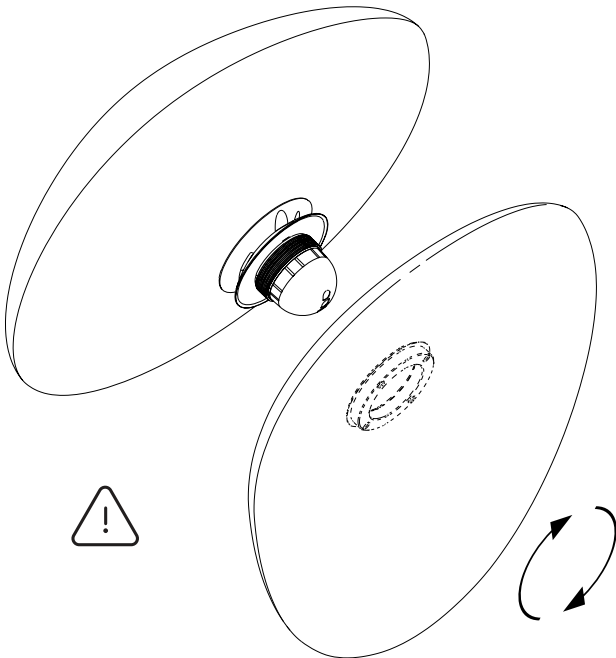
STEP 7

Attach the glass diffuser to the luminaire.

Turn the glass diffuser clockwise until it touches the base of the luminaire.

Caution!

Do not use force to thread the glass diffuser. Take great care not to misalign the threads. Proper alignment will result in the glass diffuser spinning easily into place.

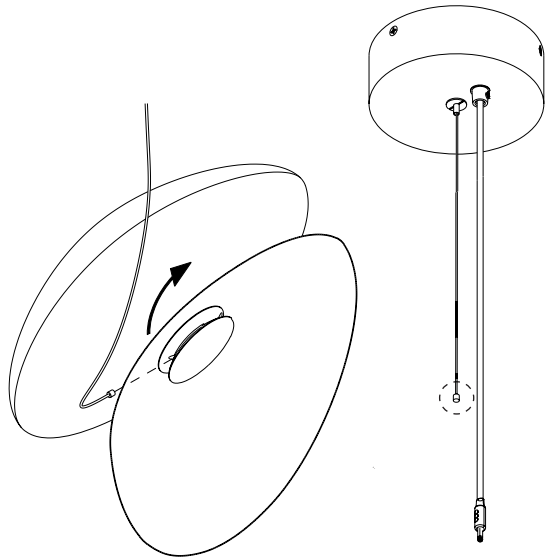


STEP 8

Hang the luminaire from the suspension cable.

Insert the cable stop into the slot on the side of the luminaire.

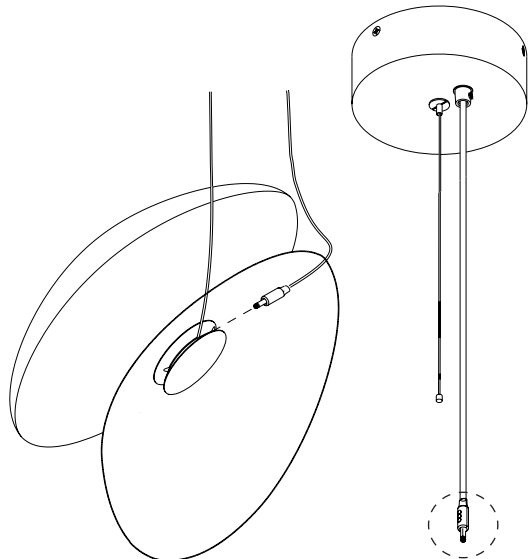
Rotate the luminaire body until the cable rests on the end of the slot.



STEP 9

Connect the luminaire to the electrical cord.

Plug the electrical cord into the jack on the side of the luminaire.

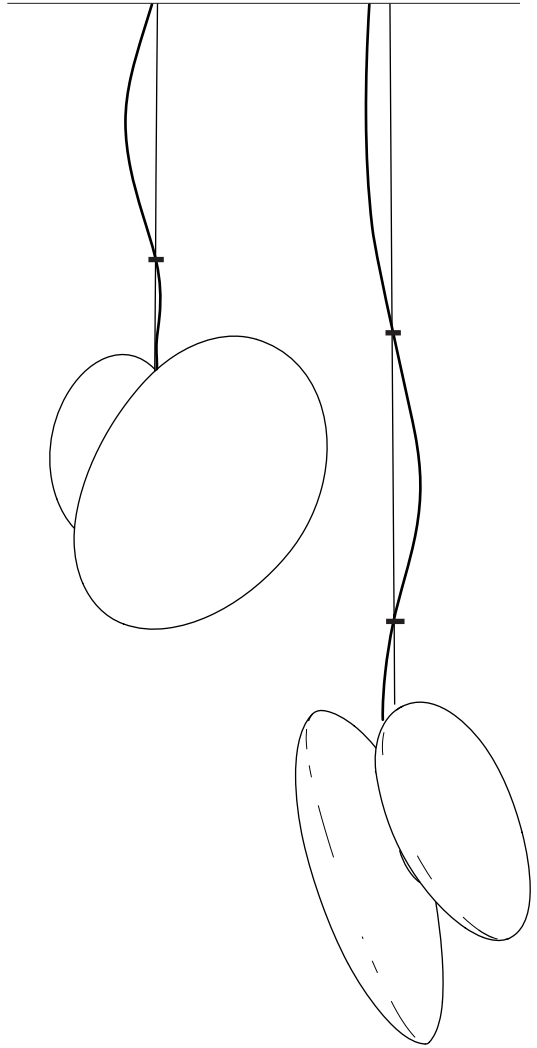


INSTALLATION

STEP 10

Adjust the electrical cord position.

Use the O-rings to create a gentle swag on the electrical cord.



A—N—D

For support, please contact:
info@a-n-d.com
+1 604 563 6938

1951 Franklin St,
Vancouver, BC
Canada V5L 0C7