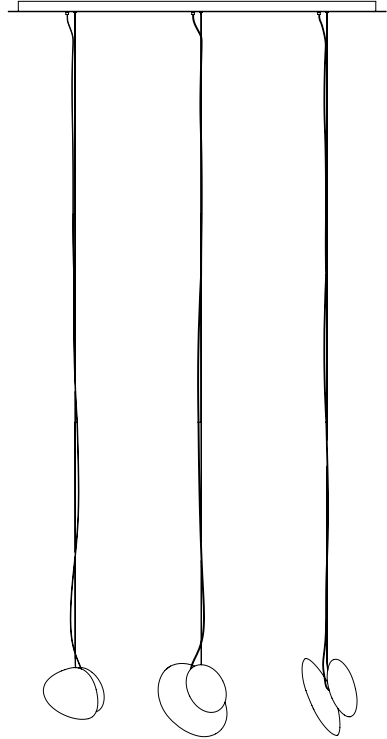


A—N—D

PEBBLE SERIES LINEAR

DESIGNER
LUKAS PEET



INSTRUCTIONS



SCAN HERE

WORLD MARKET



A-N-D.COM

INSTALLATION NOTES

The luminaire is powered by 350mA. A constant current LED driver is required to operate the luminaire. The LED driver varies depending on input voltage and dimming requirements.

For questions regarding installation, please email info@n-d.com



CARE INSTRUCTIONS

Always wear clean gloves when handling the luminaire. Clean finished surfaces with a soft, lint-free cloth. Clean glass diffuser with a microfibre cloth and a standard glass cleaner. When changing light bulb, turn fixture off and allow to cool to room temperature prior to removing glass.

For replacement parts contact A-N-D directly.



WARNING

The luminaire must be installed by a qualified electrician in a dry indoor location.

Failure to meet any or all of these criteria will not only damage the luminaire, but will void both the warranty and all of its certifications.



DANGER

Extremely heavy! Improper installation could lead to serious injury.

A-N-D is not responsible for damages or injury caused by improper installation.

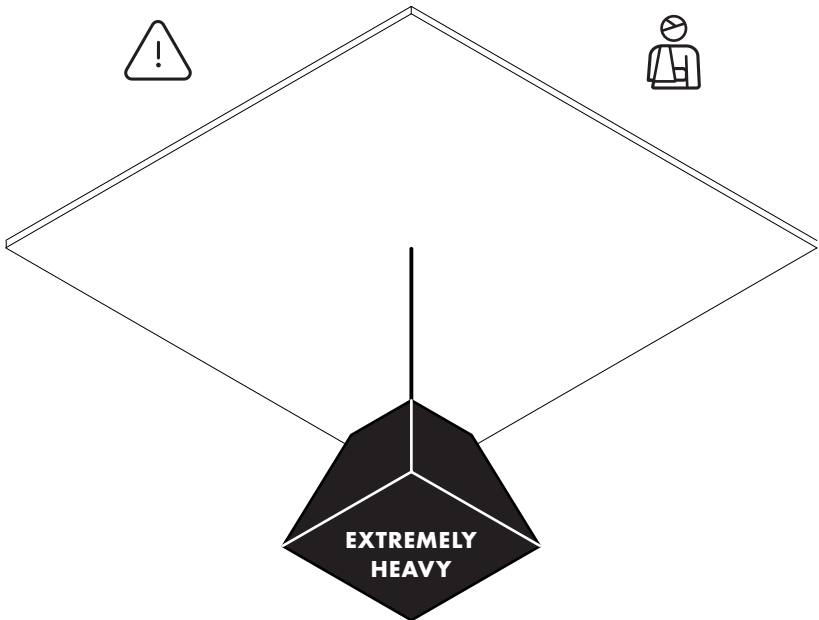
PREPARATION



Reinforcement of the mounting surface is required to suspend this luminaire.
Refer to page 6 to establish the weight of the specific model.

Due to weight limits, this luminaire must be installed independantly of the junction box.

It is recommended that a structural engineer assesses the site specific support requirements to ensure a safe installation.



LED DRIVER OPTIONS

The Pebble Linear LED driver varies depending on dimming requirements and input voltage.

Use the ordering code to determine the driver selected:

ie. PEB-LIN-3-P-UNV-120

DIMMING --- INPUT VOLTAGE

This universal dimming power supply can be controlled via 0-10 dimming or Phase Cut on primary.

ESS015 SERIES - ERP

INPUT: 120-277VAC

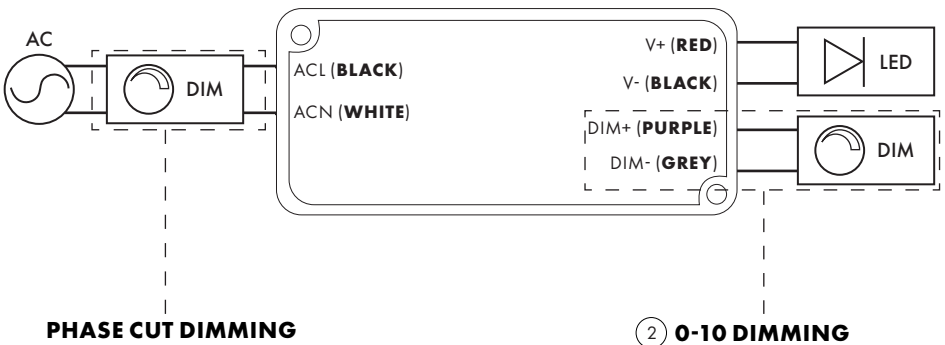
OUTPUT: 300mA, 12.6W

L x W x H: 85 x 31 x 31

DIMMING OPTIONS

① PHASE CUT (PC)

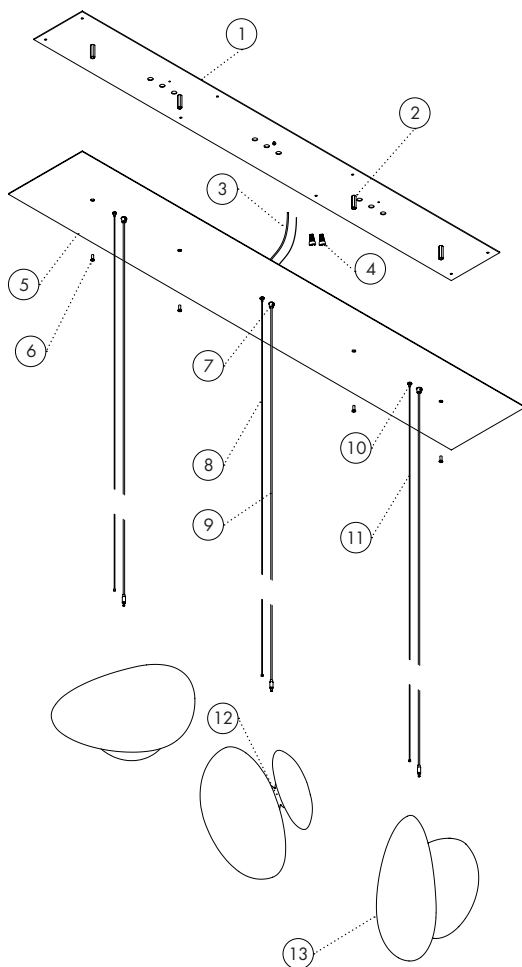
② 0-10



COMPONENTS



- ① BACKPLATE
- ② STANDOFF (4)
- ③ WIRING HARNESS
- ④ WIRE NUT (2)
- ⑤ CANOPY
- ⑥ CANOPY SCREW (4)
- ⑦ STRAIN RELIEF (2-4)
- ⑧ O-RING (6-12)
- ⑨ ELECTRICAL CORD (2-4)
- ⑩ CABLE GRIPPER (2-4)
- ⑪ SUSPENSION CABLE (2-4)
- ⑫ LUMINARIE BODIES (2-4)
- ⑬ GLASS DIFFUSERS (4-8)



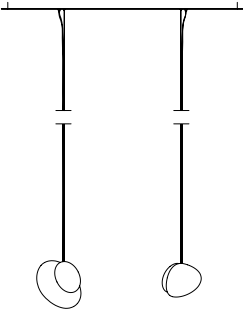
PEBBLE LINEAR WEIGHTS

CANOPY WEIGHT	PEBBLE LINEAR MODEL
150X25cm 11kg / 25lbs	2 10kg / 22lbs
	3 15kg / 33lbs
	4 20kg / 44lbs

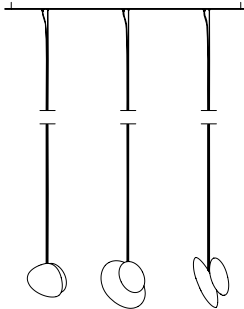


PLEASE ENSURE HARDWARE IS APPROPRIATE FOR FIXTURE WEIGHT

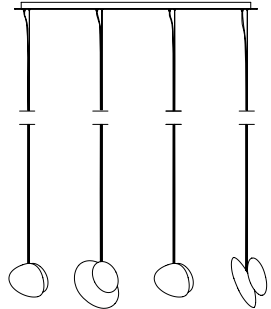
PEBBLE LINEAR 2



PEBBLE LINEAR 3



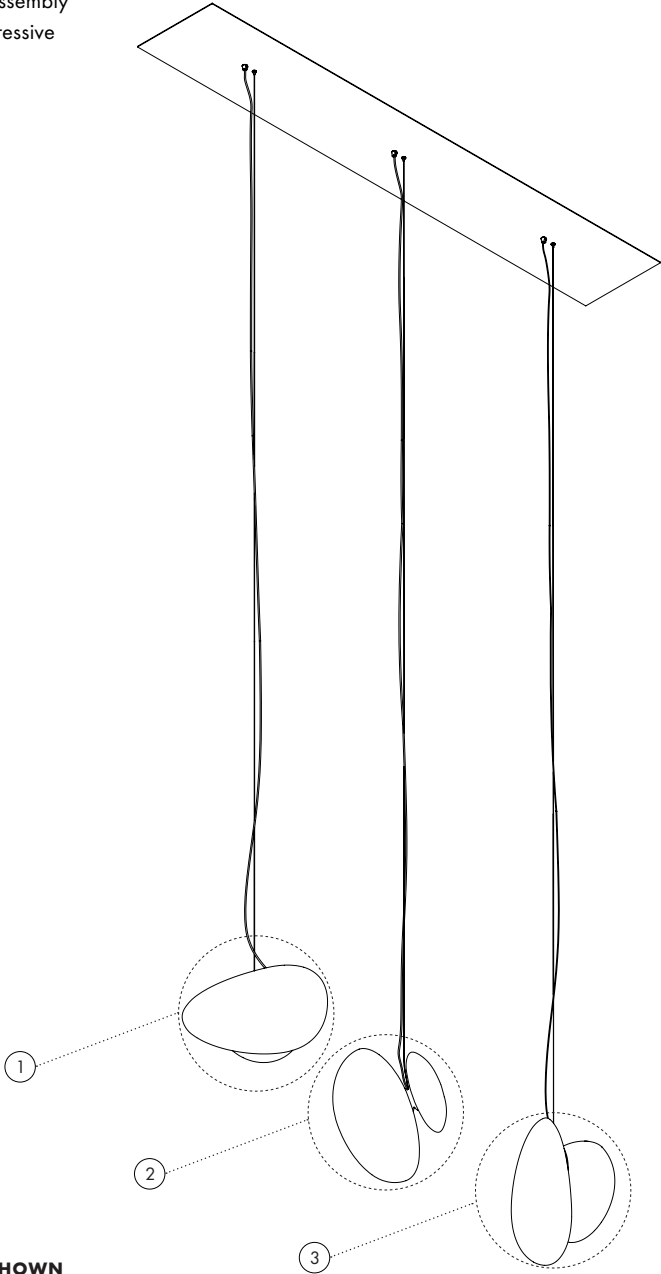
PEBBLE LINEAR 4



GLASS DIFFUSER NUMERATION



Each luminaire body assembly is labeled with a progressive number.



* LINEAR 3 MODEL SHOWN

INSTALLATION

REFER TO PAGE 6: CHANDELIER WEIGHTS

STEP 1

Attach the backplate to a reinforced ceiling.

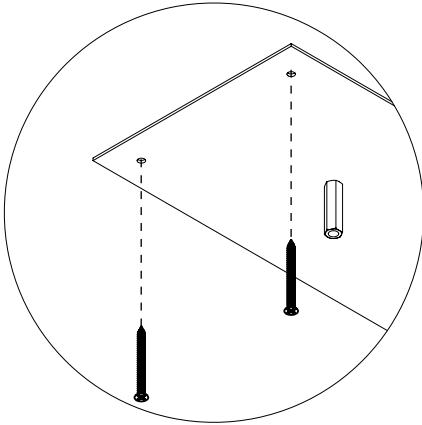
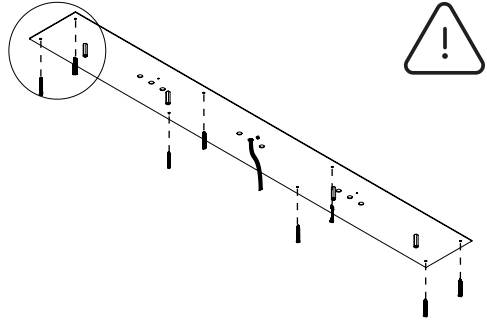
The installer must provide the mounting hardware required to meet site specifications.

⚠ Caution!

Ensure power is disconnected prior to installation.

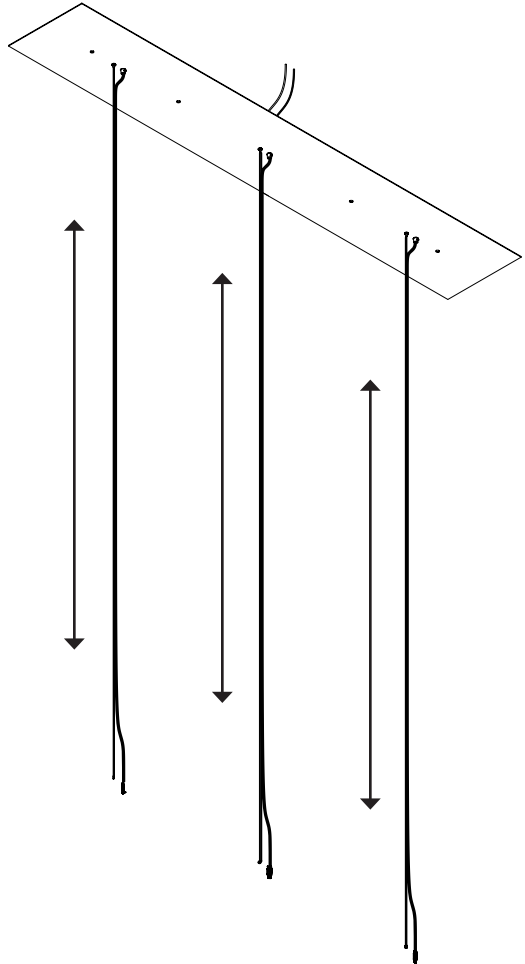
⚠ Danger!

Ensure mounting surface is adequately reinforced prior to installation.



STEP 2

Determine drop height of the electrical cords and aircraft cables.



INSTALLATION

STEP 2

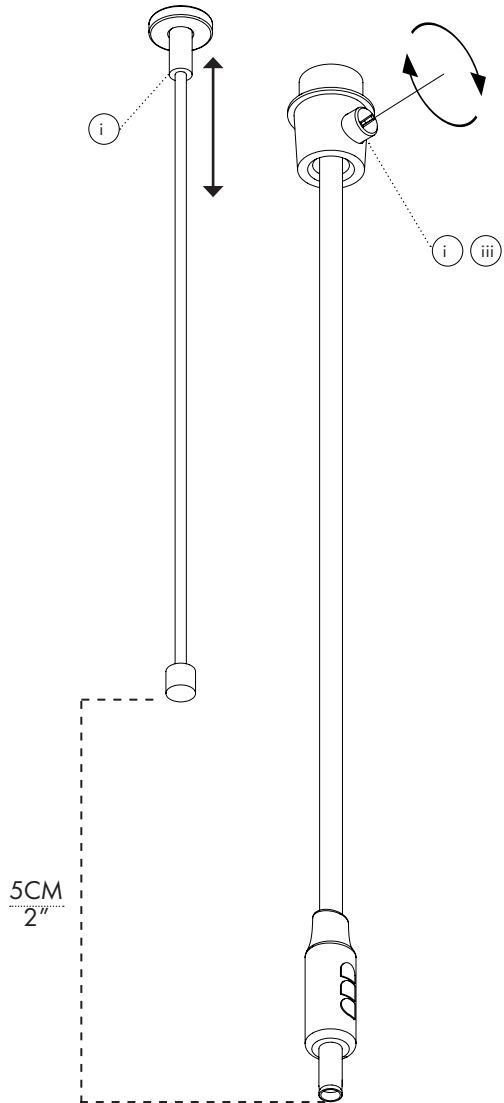
i) Press the cable gripper and pull / feed the aircraft cable cord to adjust the height.

ii) Loosen the plastic screw on the electrical cable strain relief and pull / feed the cord.

iii) Once satisfied with the height, tighten the plastic set screw on the strain relief.

⚠ Attention!

Powercord should hang 5cm/2" lower than the aircraft cable.



STEP 2

**Connect the wiring harness to input power.
Connect ground.**

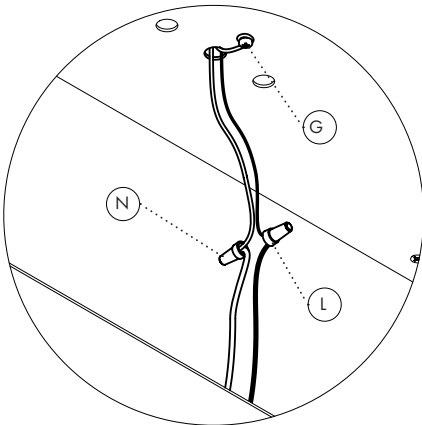
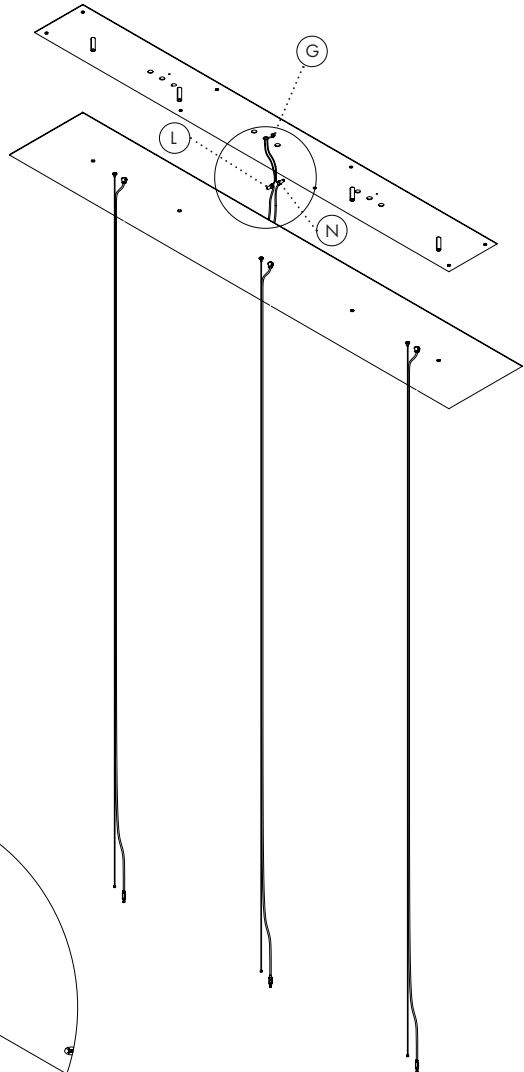
Black/brown wire = **Line** (L)

White/blue wire = **Neutral** (N)

Green screw = **Ground** (G)

For ease of installation, the primary circuit on the LED drivers are pre-wired to a wiring harness. The installer must only make a single connection to input power.

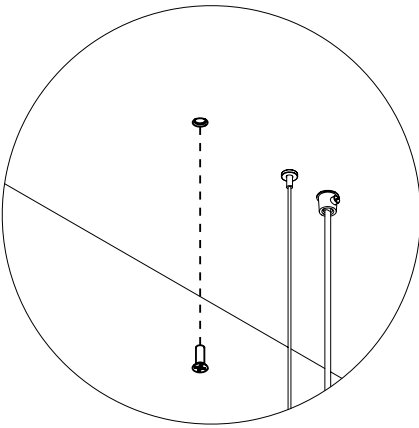
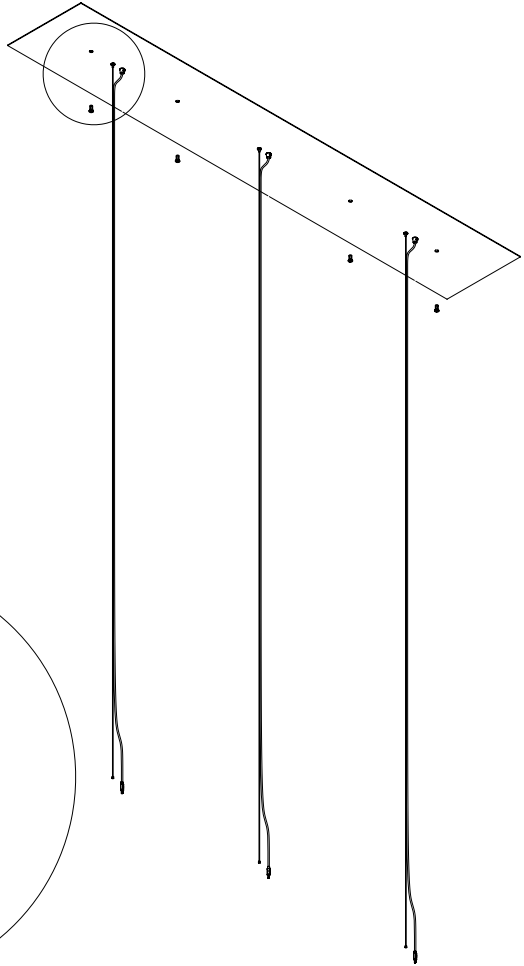
The electrical cords of the luminaire are pre-wired to the secondary circuit on the LED driver.



INSTALLATION

STEP 3

Using the provided screws,
attach the canopy to
the backplate.



REFER TO PAGE 15: CORD ADJUSTMENT

STEP 4

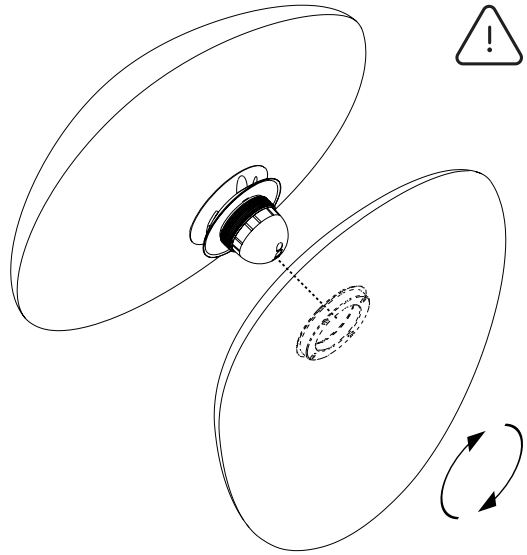
Attach all the glass diffusers to the luminaires.

Turn the glass diffuser clockwise until it touches the base of the luminaire.

Caution!

Do not use force to thread the glass diffuser. Take great care not to misalign the threads. Proper alignment will result in the glass diffuser spinning easily into place.

When changing light bulb, turn fixture off and allow to cool to room temperature prior to removing glass.



INSTALLATION

STEP 5

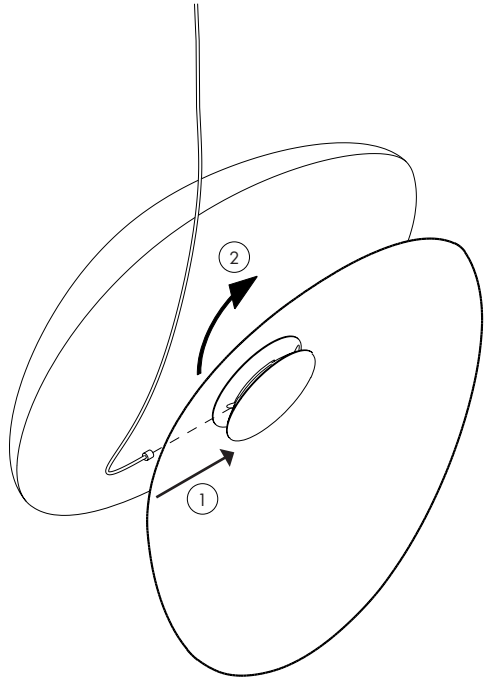
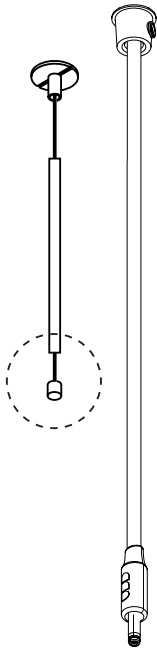
Hang the luminaires from the suspension cable.

Insert the cable stop into the slot on the side of the luminaire.

Rotate the luminaire body until the cable rests on the end of the slot.

Caution!

Adjust plastic sleeve to rest on bottom against glass to prevent scratching.



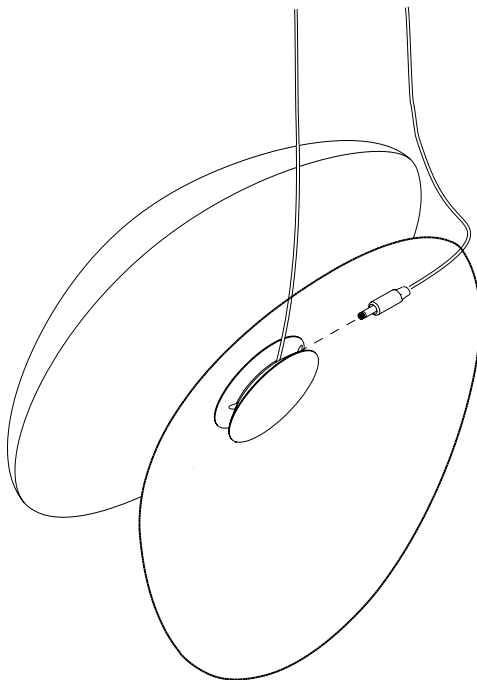
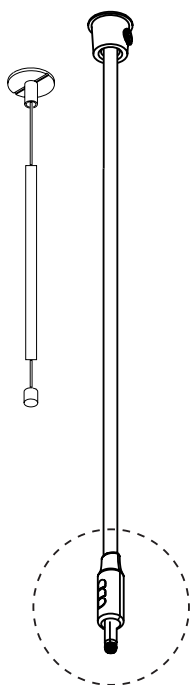
INSTALLATION



STEP 6

Connect the luminaires to the electrical cord.

Plug the electrical cord into the jack on the side of each luminaire.

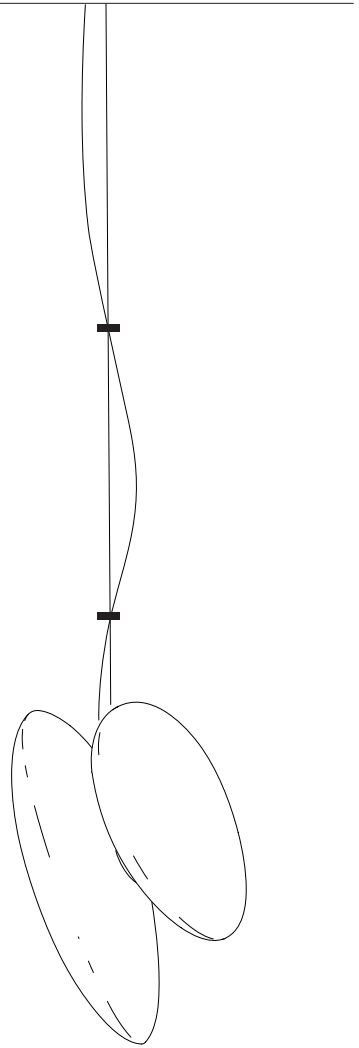


INSTALLATION

STEP 8

Adjust the electrical cord position.

Use the O-rings to create a gentle swag on the electrical cords.



A—N—D

For support, please contact:
info@a-n-d.com
+1 604 563 6938

1951 Franklin St,
Vancouver, BC
Canada V5L 0C7