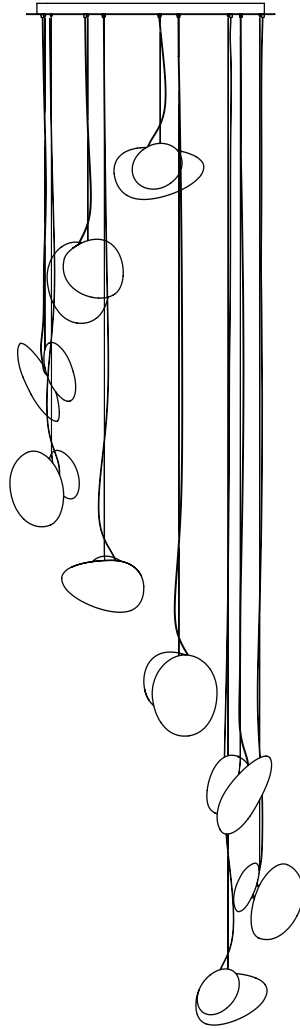


A—N—D

PEBBLE SERIES CHANDELIER

DESIGNER
LUKAS PEET



INSTRUCTIONS



SCAN HERE

WORLD MARKET



A-N-D.COM

INSTALLATION NOTES

The luminaire is powered by 350mA. A constant current LED driver is required to operate the luminaire. The LED driver varies depending on input voltage and dimming requirements.

For questions regarding installation, please email info@n-d.com



CARE INSTRUCTIONS

Always wear clean gloves when handling the luminaire. Clean finished surfaces with a soft, lint-free cloth. Clean glass diffuser with a microfibre cloth and a standard glass cleaner. When changing light bulb, turn fixture off and allow to cool to room temperature prior to removing glass.

For replacement parts contact A-N-D directly.



WARNING

The luminaire must be installed by a qualified electrician in a dry indoor location.

Failure to meet any or all of these criteria will not only damage the luminaire, but will void both the warranty and all of its certifications.



DANGER

Extremely heavy! Improper installation could lead to serious injury.

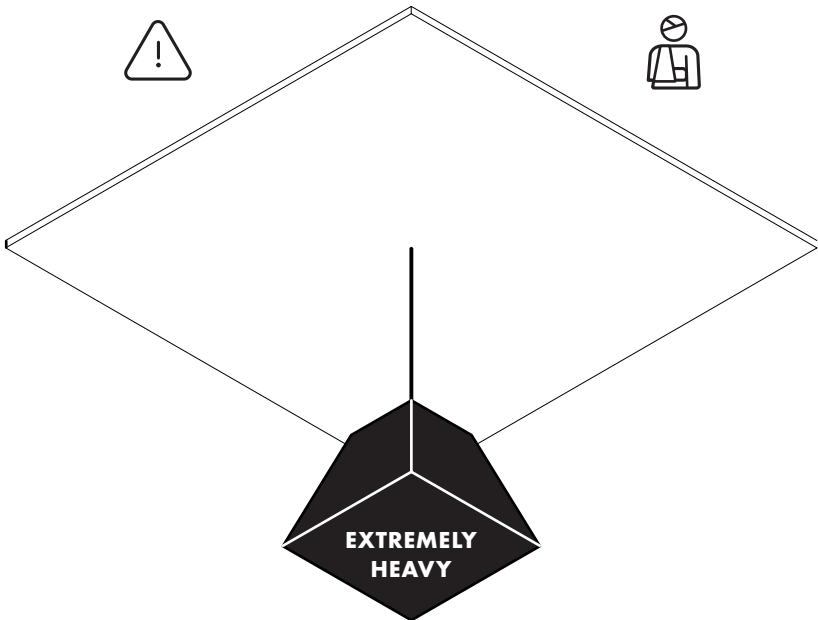
A-N-D is not responsible for damages or injury caused by improper installation.

PREPARATION



Reinforcement of the mounting surface is required to suspend this luminaire. Refer to pages 6-7 to establish the weight of the specific model.

It is recommended that a structural engineer assesses the site specific support requirements to ensure a safe installation.



LED DRIVER OPTIONS

The Pebble Chandelier LED driver varies depending on dimming requirements and input voltage.

Use the ordering code to determine the driver selected:

ie. PEB-CHA-3-P-HE-AS-SM-300-UNV-230

DIMMING --- INPUT VOLTAGE

This universal dimming power supply can be controlled via 0-10 dimming or Phase Cut on primary.

ESS015 SERIES - ERP

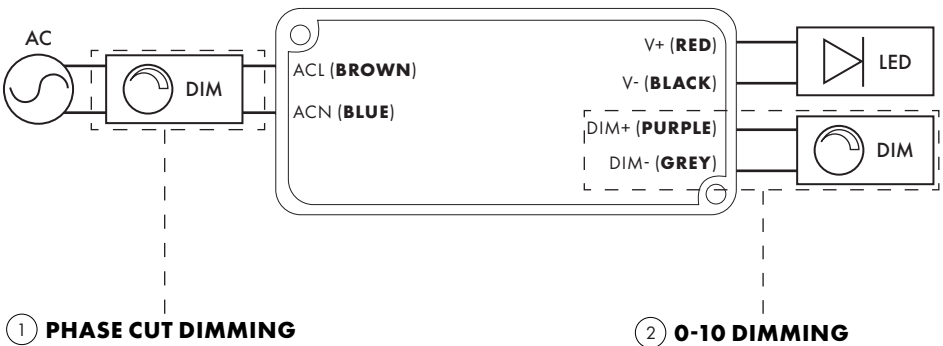
INPUT: 120-277VAC

OUTPUT: 350mA, 15W

L x W x H: 85 x 31 x 31

DIMMING OPTIONS

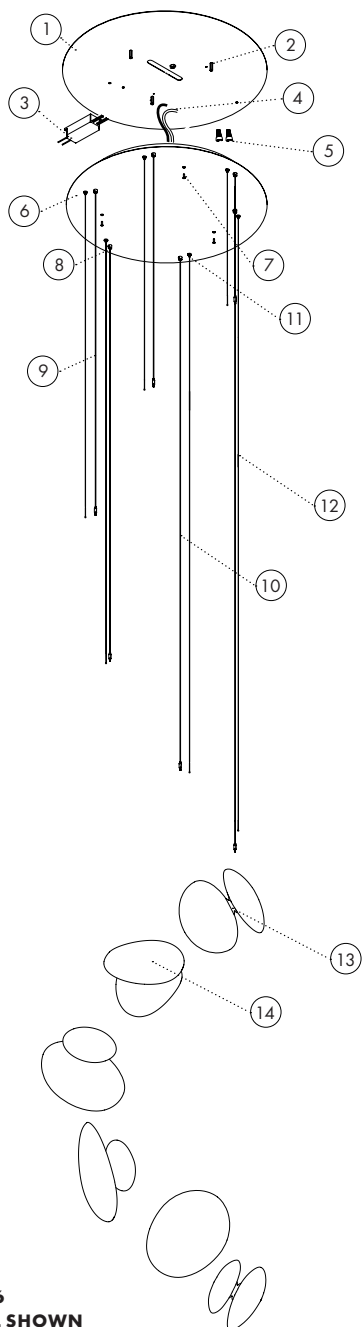
- ① PHASE CUT (PC)
- ② 0-10



COMPONENTS



- ① BACKPLATE
- ② STANDOFF (3-9)
- ③ LED DRIVER (1-9)
- ④ WIRING HARNESS
- ⑤ WIRE NUT (2)
- ⑥ CANOPY
- ⑦ CANOPY SCREW (3-9)
- ⑧ STRAIN RELIEF (3-9)
- ⑨ O-RING (4-36)
- ⑩ ELECTRICAL CORD (1-9)
- ⑪ CABLE GRIPPER (3-9)
- ⑫ SUSPENSION CABLE (3-9)
- ⑬ LUMINARIE BODIES (6-18)
- ⑭ GLASS DIFFUSERS



* HELIX 6
MODEL SHOWN

PEBBLE CHANDELIER WEIGHTS

CANOPY WEIGHTS	HELIX + CANOPY
60	3
11kg / 25lbs	26kg / 58lbs
90	4
22kg / 49lbs	31kg / 69lbs
120	5
33kg / 73lbs	36kg / 80lbs
150	6
44kg / 97lbs	41kg / 91lbs
180	7
55kg / 121lbs	57kg / 126lbs
210	8
66kg / 145lbs	62kg / 137lbs
240	9
77kg / 170lbs	67kg / 148lbs
270	12
88kg / 194lbs	82kg / 181lbs

* TOTAL WEIGHTS SHOWN (CANOPY + LUMINAIRES)

* PLEASE ENSURE HARDWARE IS APPROPRIATE FOR FIXTURE WEIGHT



DOUBLE HELIX + CANOPY		CLUSTER + CANOPY	
4	31kg / 69lbs	4	31kg / 69lbs
5	36kg / 80lbs	5	36kg / 80lbs
6	41kg / 91lbs	6	41kg / 91lbs
7	57kg / 126lbs	7	57kg / 126lbs
8	62kg / 137lbs	8	62kg / 137lbs
9	67kg / 148lbs	9	67kg / 148lbs
12	82kg / 181lbs	12	82kg / 181lbs

FIXTURE ORIENTATION

Before installing, orient the backplate according to the lowest luminaire.

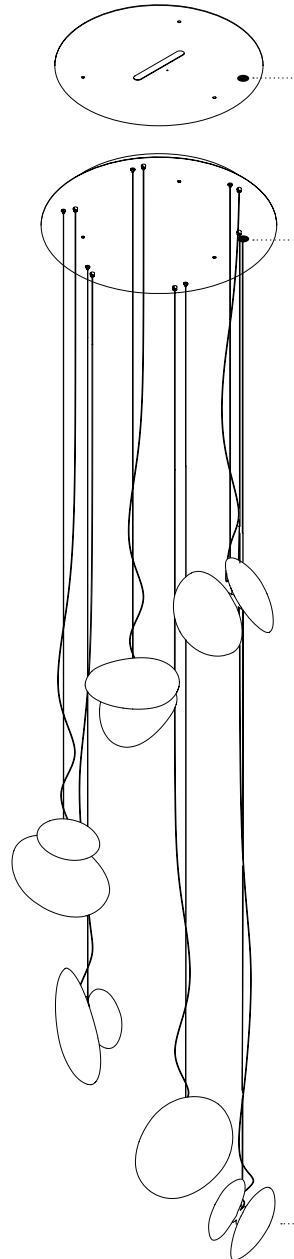
The lowest luminaire position is indicated with a sticker on the inside of the canopy and on the backplate.

⚠ Caution!

Ensure power is disconnected prior to installation.

⚠ Danger!

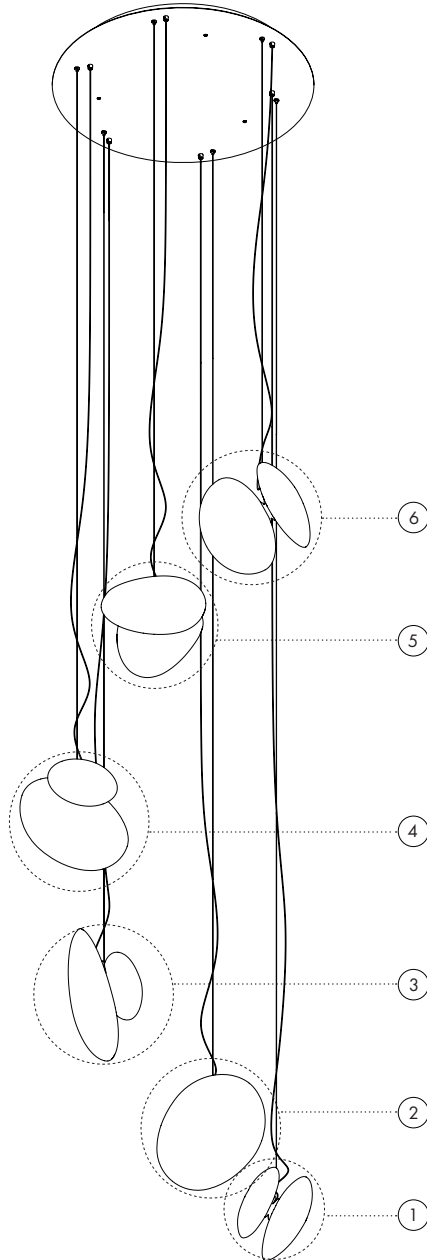
Ensure mounting surface is adequately reinforced prior to installation.



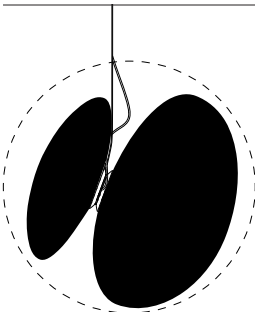
GLASS DIFFUSER NUMERATION



Each luminaire body assembly is labelled with a progressive number: the lowest body is always indicated as #1.



MAX DIAMETER
Ø 35cm | 13.8"



INSTALLATION

REFER TO PAGE 6: CHANDELIER WEIGHTS

STEP 1

Attach the backplate to a reinforced ceiling.



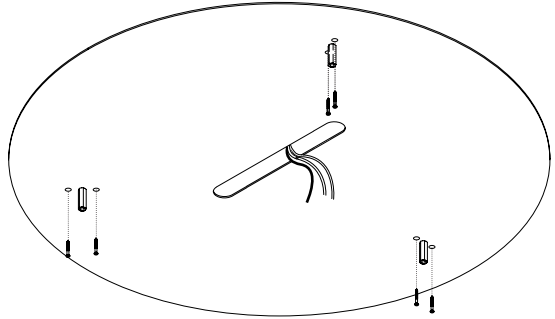
The installer must provide the mounting hardware required to meet site specifications.

⚠ Caution!

Ensure power is disconnected prior to installation.

⚠ Danger!

Ensure mounting surface is adequately reinforced prior to installation.



* HELIX 6
MODEL SHOWN

STEP 2

Connect the wiring harness to input power. Connect ground.

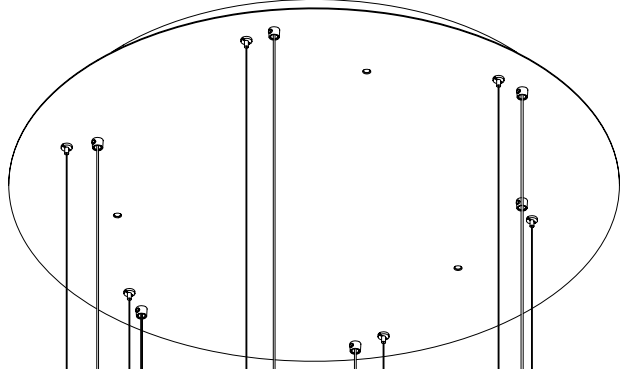
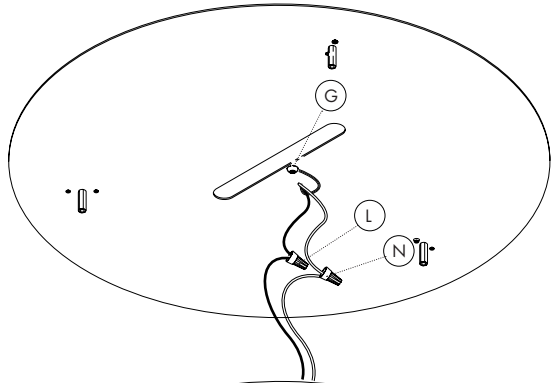
Black/brown wire = **Line** (L)

White/blue wire = **Neutral** (N)

Green screw = **Ground** (G)

For ease of installation, the primary circuit on the LED drivers are pre-wired to a wiring harness. The installer must only make a single connection to input power.

The electrical cords of the luminaire are pre-wired to the secondary circuit on the LED driver.



STEP 3

Attach the canopy to the backplate.

Use the provided canopy screws.

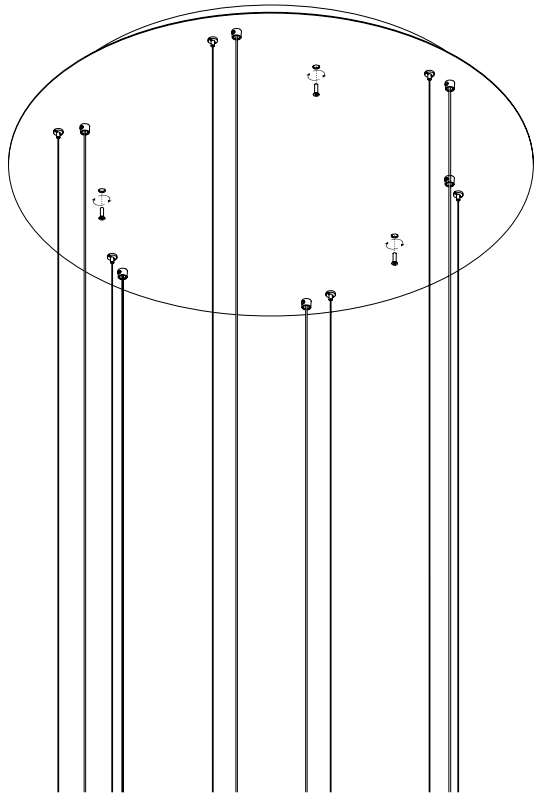
Tighten the screws until the canopy edge is tight to the ceiling.

NOTE:

The quantity of mounting screws varies depending on the Pebble Chandelier model.

Do not adjust the electrical cords and suspension cable lengths.

The Pebble Chandelier ships with the electrical cords and suspension cables pre-adjusted to a length specified by the client.



* HELIX 6
MODEL SHOWN

REFER TO PAGE 15: CORD ADJUSTMENT

INSTALLATION

STEP 4

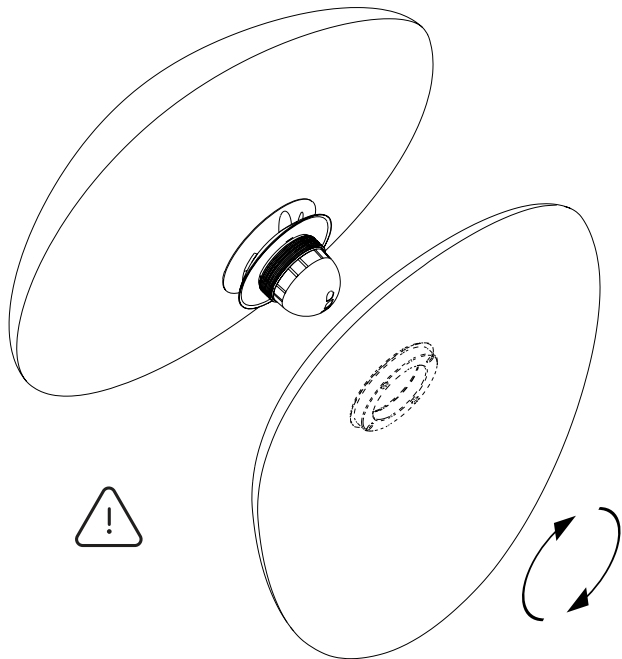
Attach all the glass diffusers to the luminaires.

Turn the glass diffuser clockwise until it touches the base of the luminaire.

⚠ Caution!

Do not use force to thread the glass diffuser. Take great care not to misalign the threads. Proper alignment will result in the glass diffuser spinning easily into place.

When changing light bulb, turn fixture off and allow to cool to room temperature prior to removing glass.



STEP 5

Hang the luminaires from the suspension cable.

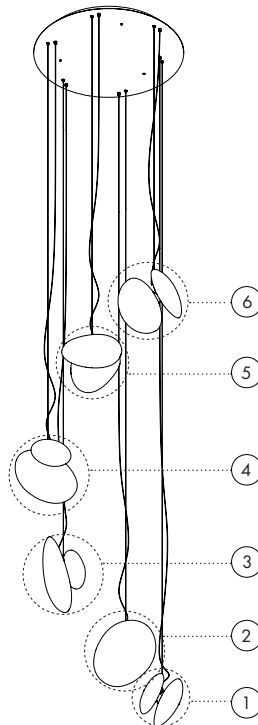
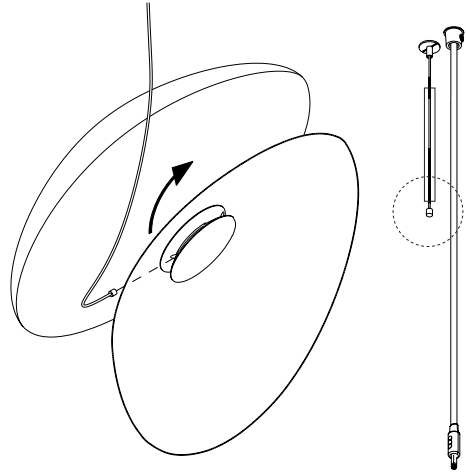
Insert the cable stop into the slot on the side of the luminaire.

Rotate the luminaire body until the cable rests on the end of the slot.

Caution!

Start hanging the luminaires from the highest to the lowest one.

Adjust plastic sleeve to rest on bottom against glass to prevent scratching.

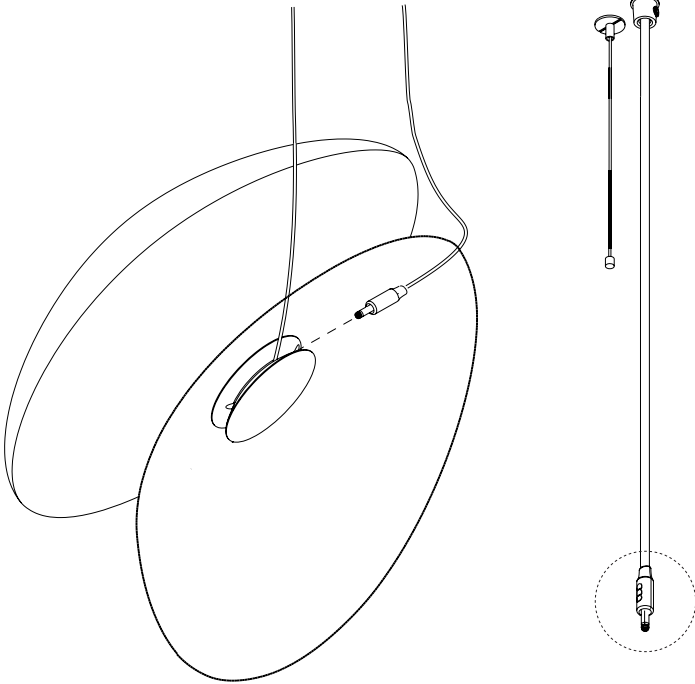


INSTALLATION

STEP 6

Connect the luminaires to the electrical cord.

Plug the electrical cord into the jack on the side of each luminaire.



STEP 7A – OPTIONAL

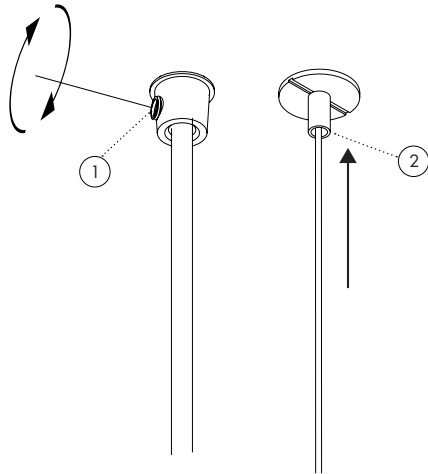
Adjust the luminaires' height.

Aircraft cables and powercord are already pre-cut according to the client specification.

If slight adjustments are required, unscrew the plastic set screw on the strain relief (1) and press the cable gripper to adjust the height (2).

Caution!

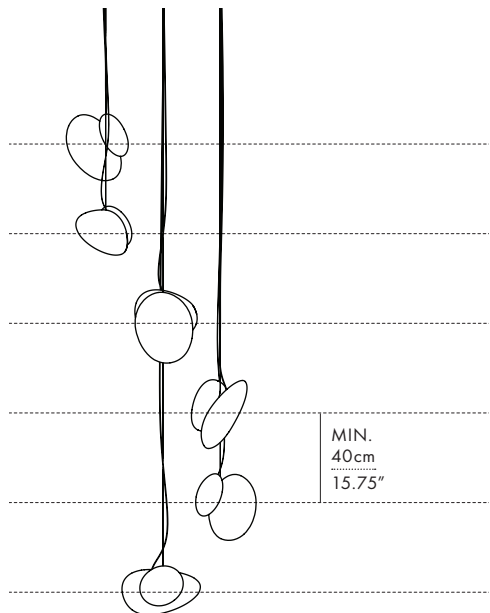
Always hold or remove the glass diffusers while adjusting the height.



STEP 7B

Always leave at least 40cm between each fixture.

Every fixture has to be spaced 40cm apart to avoid any damage of the glass diffusers.

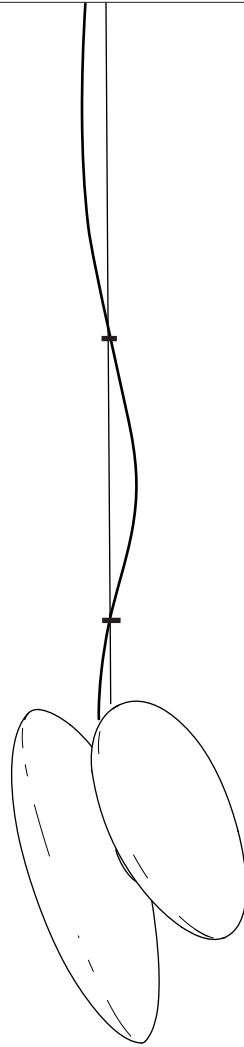


INSTALLATION

STEP 8

Adjust the electrical cord position.

Use the O-rings to create a gentle swag on the electrical cords.



A—N—D

For support, please contact:
info@a-n-d.com
+1 604 563 6938

1951 Franklin St,
Vancouver, BC
Canada V5L 0C7