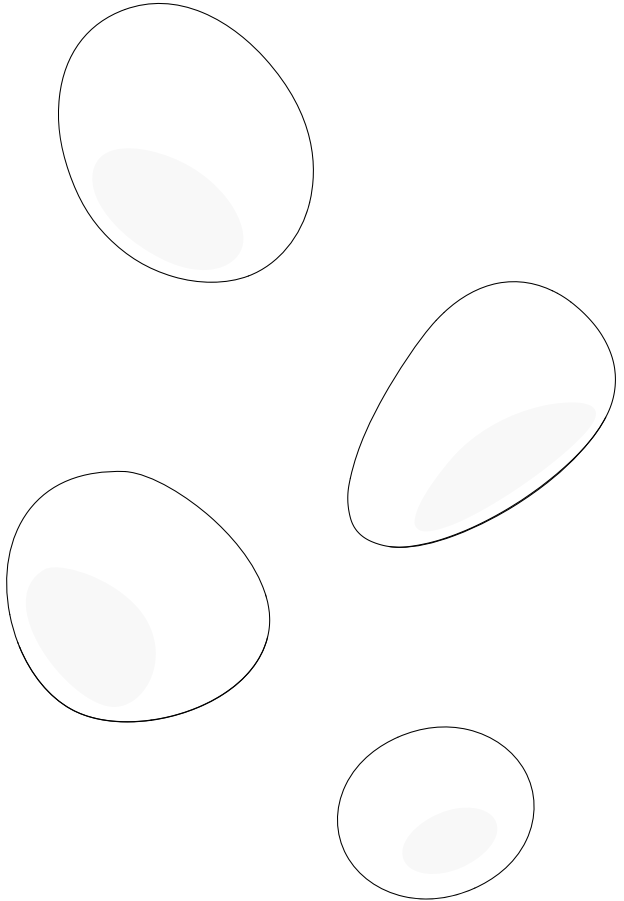


A—N—D

PEBBLE SERIES CEILING/WALL

DESIGNER
LUKAS PEET



INSTRUCTIONS



SCAN HERE

WORLD MARKET



A-N-D.COM

INSTALLATION NOTES

The luminaire is powered by 250mA. A constant current LED driver is required to operate the luminaire. The LED driver varies, depending on input voltage and dimming requirements.

This luminaire requires an LED driver installed in a remote location.

For questions regarding installation, please email info@a-n-d.com



CARE INSTRUCTIONS

Always wear clean gloves when handling the luminaire. Clean finished surfaces with a soft, lint-free cloth. Clean glass diffuser with a microfibre cloth and a standard glass cleaner. When changing light bulb, turn fixture off and allow to cool to room temperature prior to removing glass.

For replacement parts contact A-N-D directly.



WARNING

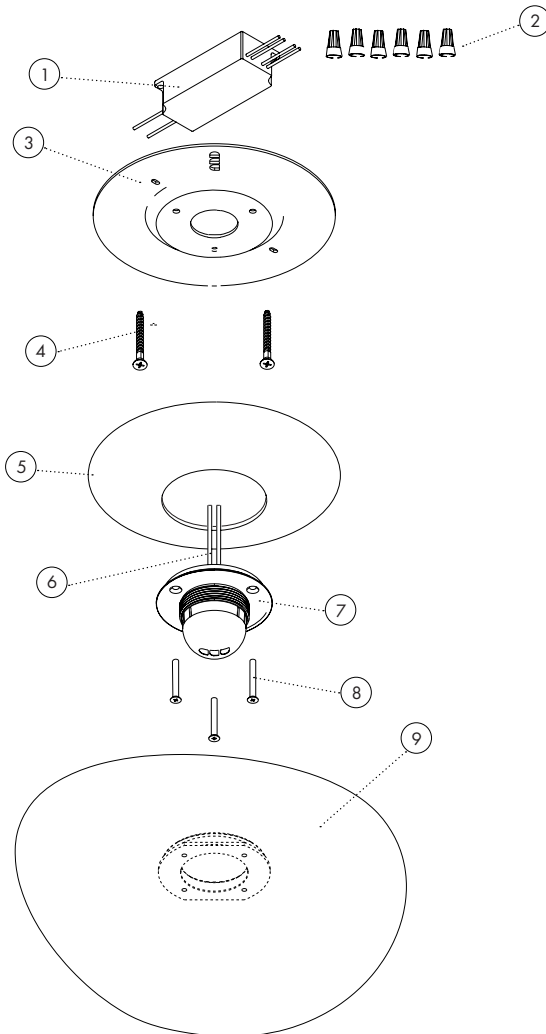
The luminaire must be installed by a qualified electrician in a dry indoor location.

Failure to meet any or all of these criteria will not only damage the luminaire, but will void both the warranty and all of its certifications.

COMPONENTS



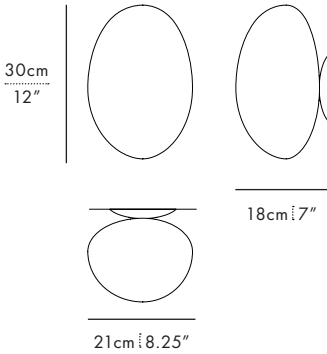
- ① LED DRIVER
- ② WIRE NUT (6)
- ③ BACKPLATE
- ④ #8 SCREWS (2)
- ⑤ CANOPY
- ⑥ ELECTRICAL CORD
- ⑦ LUMINAIRE
- ⑧ M3x18 SCREW (3)
- ⑨ GLASS DIFFUSER



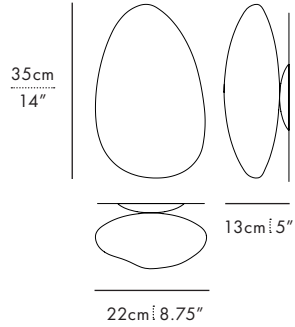
PEBBLE OPTIONS

The Pebble Ceiling/Wall is available in 4 sizes, and can be installed on either the ceiling or the wall.

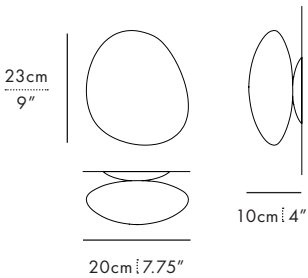
GLASS 'A'



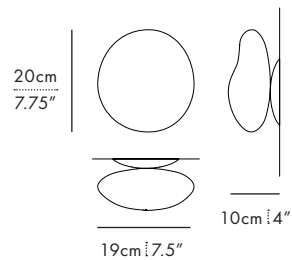
GLASS 'B'



GLASS 'C'



GLASS 'D'



DRIVER OPTIONS



The Pebble Ceiling/Wall LED driver varies depending on dimming requirements and input voltage.

Use the ordering code to determine the selected driver:

ie. PEB-P-A-SL-B-CL-010-230

DIMMING --- INPUT VOLTAGE



DO NOT MODIFY DRIVER DIP SWITCH - IT COULD DAMAGE THE LUMINAIRE.

PHASE CUT DIMMING (PC)

EUCHIPS PUP10T-1HMC-350

INPUT: 220-240VAC

OUTPUT: 210mA, 8.8W

L x W x H: 75 x 35 x 26.5



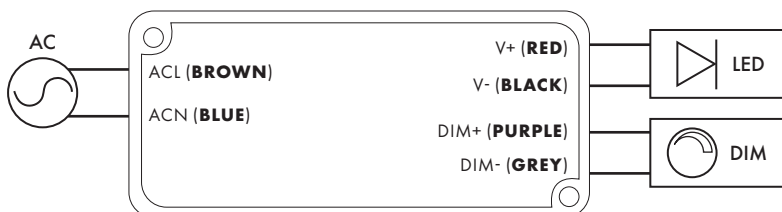
0-10 DIMMING (010)

EUCHIPS PUP10A-1WMC-350

INPUT: 100-240VAC

OUTPUT: 210mA, 8.8W

L x W x H: 75 x 35 x 26.5



DALI DIMMING (DAL)

DW OPTION

EUCHIPS PUP10D-1WMC-350

INPUT: 100-240VAC

OUTPUT: 210mA, 8.8W

L x W x H: 75 x 35 x 26.5

INSTALLATION

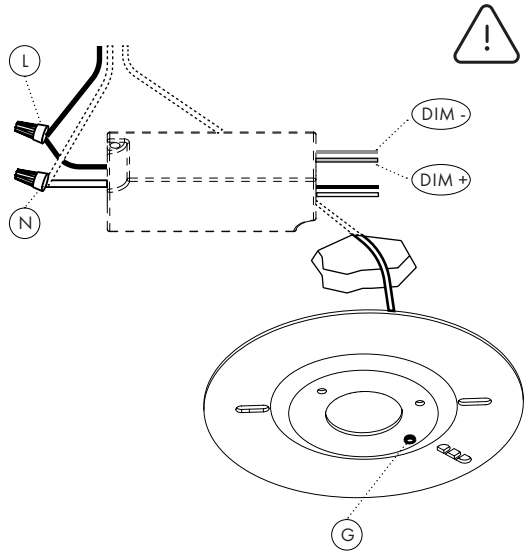
STEP 1

Ensure that power is disconnected and Connect the input power to the primary circuit on the LED driver. Connect ground.

Black/brown wire = **Line** (L)

White/blue wire = **Neutral** (N)

Green screw = **Ground** (G)



REFER TO PAGE 5: DRIVER OPTIONS FOR MORE DETAILS

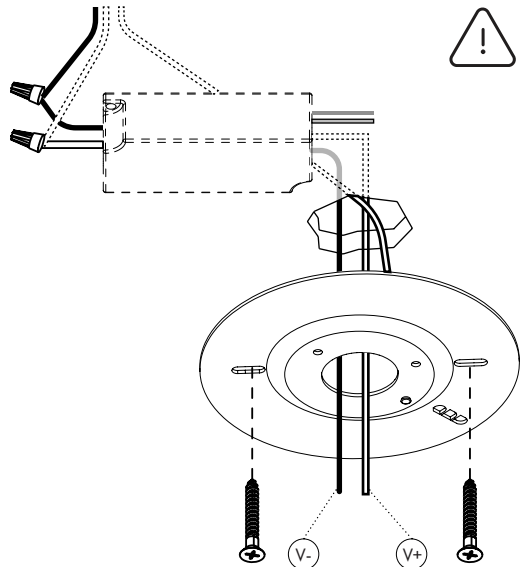
STEP 2

Attach the backplate to the ceiling or wall surface.

Use the provided #8 screws.

⚠ Caution!

Ensure that LED driver is installed in a remote location.



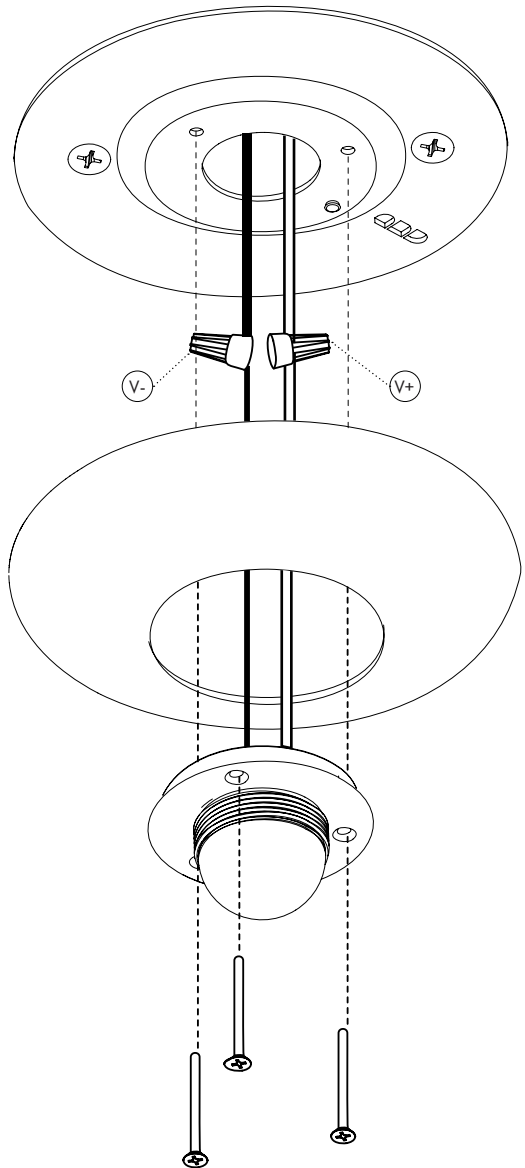
STEP 3

Connect the luminaire to secondary circuit on LED driver.

Place the canopy over the backplate, then make the wire connections.

Red wire = **Positive** (V+)

Black wire = **Negative** (V-)



STEP 4

Connect the luminaire to the backplate.

Use the provided M3x18 machine screws.

Turn the screws until the luminaire and canopy are tight to the mounting surface.

INSTALLATION

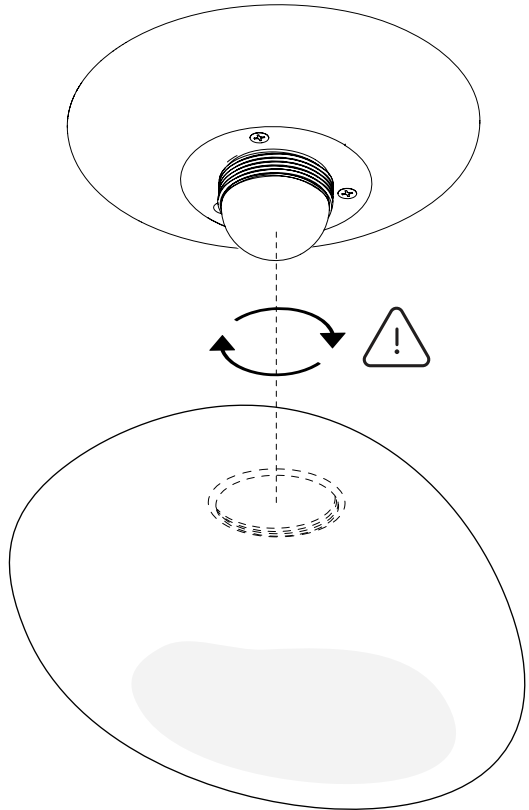
STEP 5

Attach the glass diffuser to the luminaire.

Turn the glass diffuser clockwise until it touches the base of the luminaire.

⚠ Caution!

Do not use force to thread the glass diffuser. Take great care not to misalign the threads. Proper alignment will result in the glass diffuser spinning easily into place.



A—N—D

For support, please contact:
info@a-n-d.com
+1 604 563 6938

1951 Franklin St,
Vancouver, BC
Canada V5L 0C7