

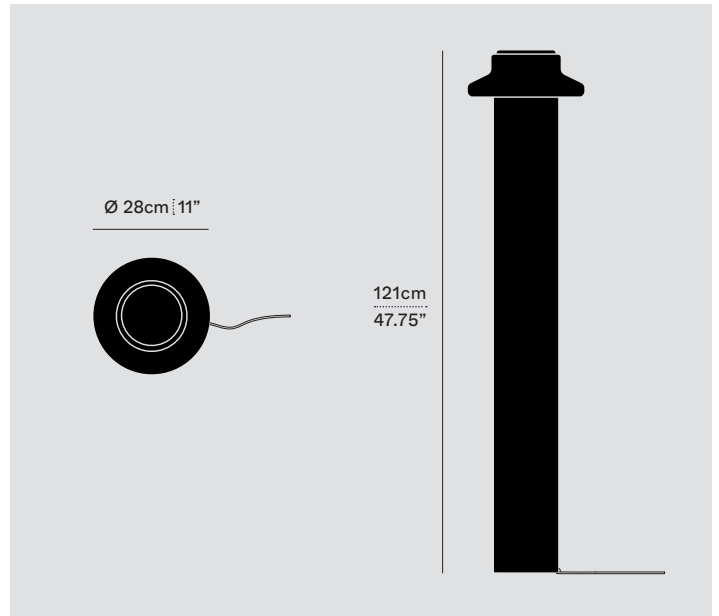
PACE 28 — F

A—N—D

FLOOR

Designed by Caine Heintzman

2025



PAC-28-F-UMB-120

A-N-D.COM

TYPE

Floor

MATERIALS

Glass, Aluminum

MANUFACTURED

Canada

DIMENSIONS

Ø 28 × 121cm / 11" × 47.75"

TECHNICAL INFORMATION

Input Voltage

110–120V, 220–240V

Lamping

24V DC LED

CRI 90+, 50,000 hours

Controls

Touch dimmer

FINISHES



Float (FLT)

Translucent
(TRN)

Umber (UMB)



For custom finishes, please inquire.

DIM TO WARM

Warm / DIM -

Bright / DIM +



CERTIFICATIONS



Application: dry indoor location only

SERIES	SIZE	TYPE	FINISH	VOLTAGE IN
PAC	28	F	<input type="checkbox"/> FLT (FLOAT) <input type="checkbox"/> TRN (TRANSLUCENT) <input type="checkbox"/> UMB (UMBER)	<input type="checkbox"/> 120 <input type="checkbox"/> 230