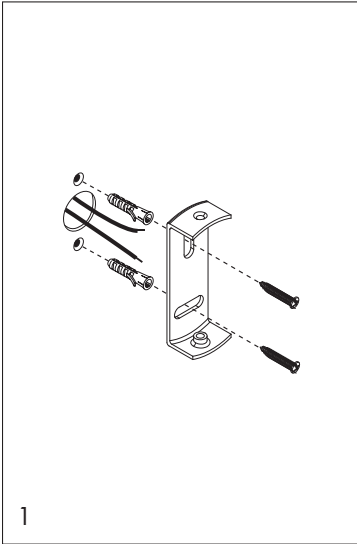
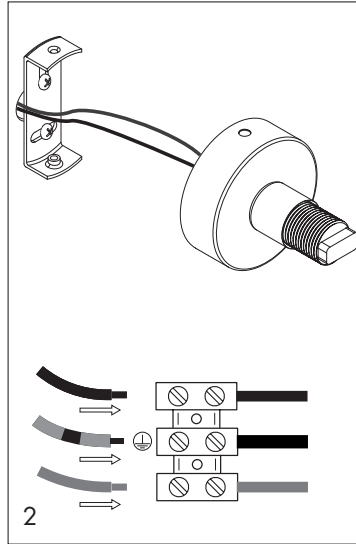


Origo wall big

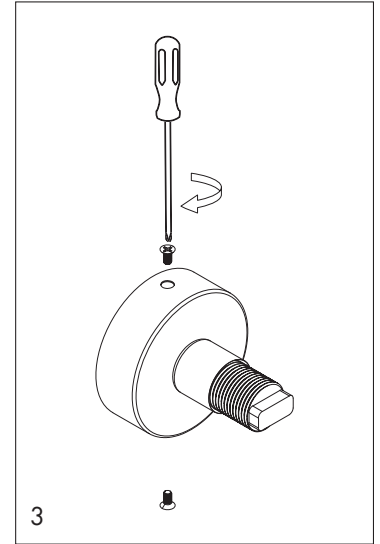
davidpompa



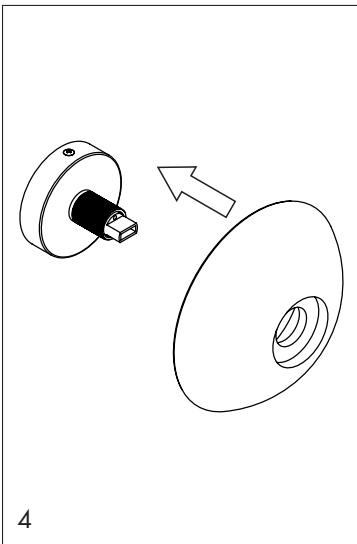
1
Disconnect the power by turning off the circuit breaker, or by removing the fuse in the fuse box before assembling and mounting the canopy. Fix the mounting plate to the ceiling with dowels and screws.



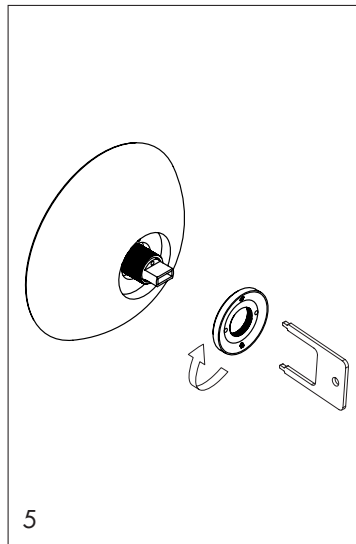
2
Connect the cables to the connectors. (+/+) (-/-)



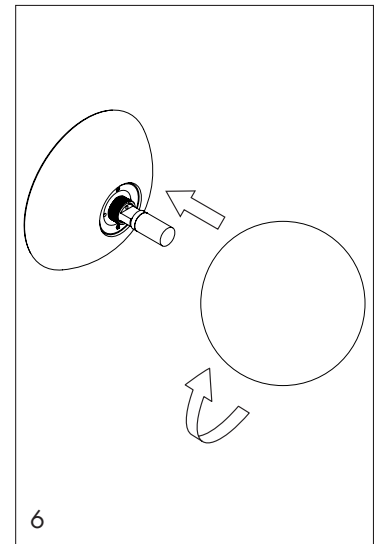
3
Fix the wall rose with the screws on the mounting plate.



4
Put the volcanic stone on the top of the wall rose.



5
Fix the stone part with the disc. Take care to screw the stone part gently.



6
Insert the G9 bulb and screw the glass sphere onto the socket. Take care to screw the glass sphere gently.
Warning: Use only LED

safety instruction

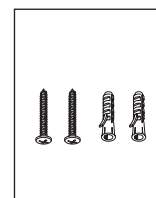
Lamp suitable only for indoor use. The electrical connections must be carried out by specialized personnel. If this electrical wire or cord is damaged, it should be replaced exclusively by the manufacturer, its technical team or someone with an equivalent qualification in order to avoid any risk. The manufacturer is not responsible for improper use of the product.

product care

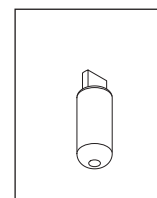
Powder coated
Dust gently with a duster or soft cloth. Do not use commercial cleaners. A clean soft damp rag may also be used.

Recinto
Use a feather duster, a clean cloth, or vacuum with a clean brush attachment, do not wipe wet.

incl.



incl.



incl.

