

A—N—D

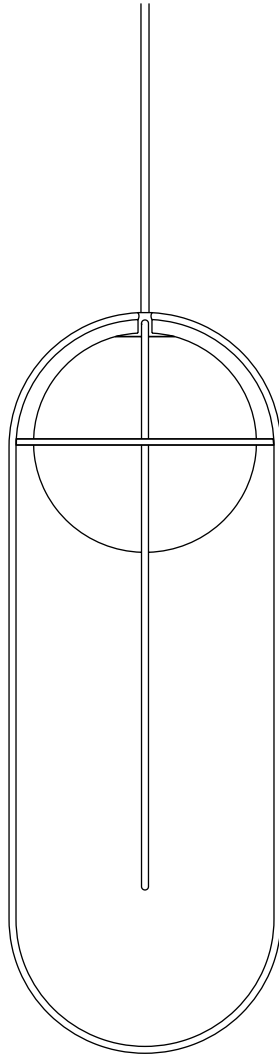
ORBIT SERIES PENDANT

DESIGNER
LUKAS PEET

INSTRUCTIONS



SCAN HERE



WORLD MARKET



A-N-D.COM

INSTALLATION NOTES

The luminaire is powered by line voltage and is rated for inputs between 220-240VAC.

Two people are recommended to install the Orbit Pendant; one to gently support the luminaire while the other makes the electrical connections and mechanical connections to the ceiling.

For questions regarding installation, please email info@a-n-d.com



CARE INSTRUCTIONS

Always wear clean gloves when handling the luminaire. Clean finished surfaces with a soft, lint-free cloth or magic eraser.

Clean glass with a clean cloth and glass cleaner. When changing light bulb, turn fixture off and allow to cool to room temperature prior to removing glass.

For replacement parts contact A-N-D directly.

Never exceed the recommended wattage and voltage (5W MAX, 230V), as doing so may damage the luminaire or cause a fire.



WARNING

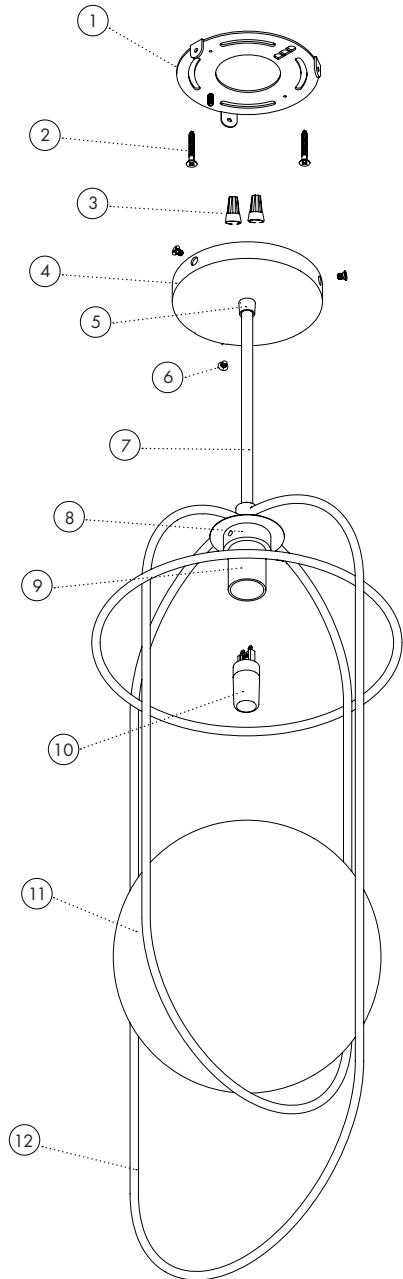
The luminaire must be installed by a qualified electrician in a dry indoor location.

Failure to meet any or all of these criteria will not only damage the luminaire, but will void both the warranty and all of its certifications.

COMPONENTS



- ① BACKPLATE
- ② #8 SCREWS (2)
- ③ WIRE NUT (2)
- ④ CANOPY
- ⑤ STRAIN RELIEF
- ⑥ CANOPY SCREW (3)
- ⑦ ELECTRICAL CORD
- ⑧ GLOBE HOLDER
- ⑨ G9 SOCKET
- ⑩ G9 LAMP
- ⑪ GLASS GLOBE
- ⑫ ORBIT CAGE



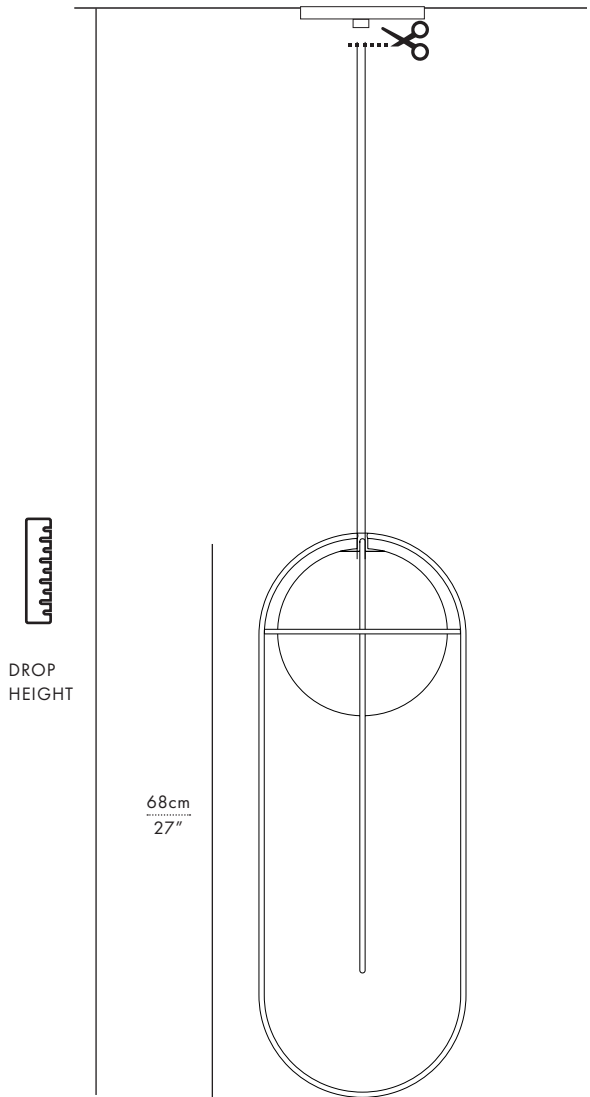
PREPARATION

STEP 1

Determine the drop height of the fixture and trim excess cable.

Electrical cord length:

Add an extra 15cm/6" to the drop height. This allows for adjustment and electrical connections inside the canopy.



INSTALLATION



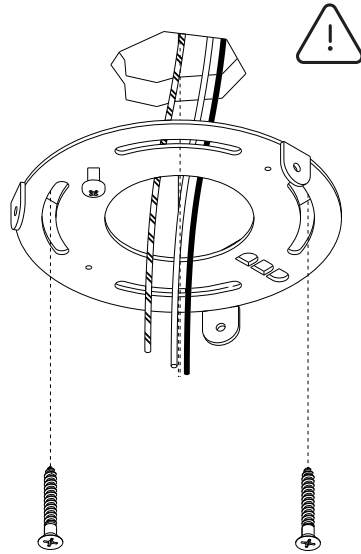
STEP 2

Mount the backplate to the ceiling.

Use the provided #8 screws.

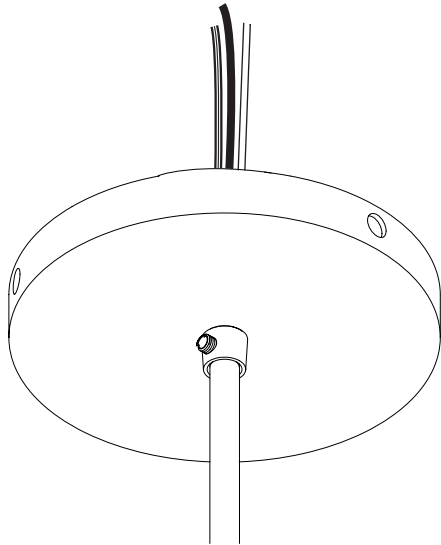
⚠ Caution!

Ensure that the power is disconnected.



STEP 3

Pull the electrical cord through the strain relief on the canopy.



INSTALLATION

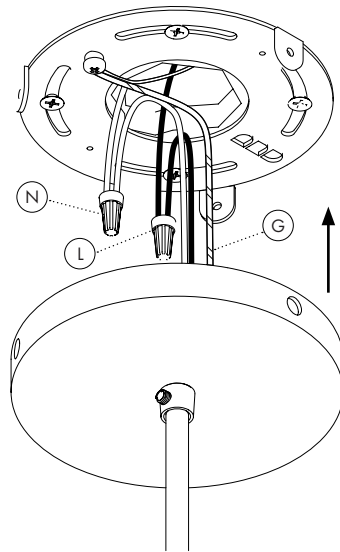
STEP 4

Connect the luminaire to input power. Connect ground.

Black/brown wire = **Line** (L)

White/blue wire = **Neutral** (N)

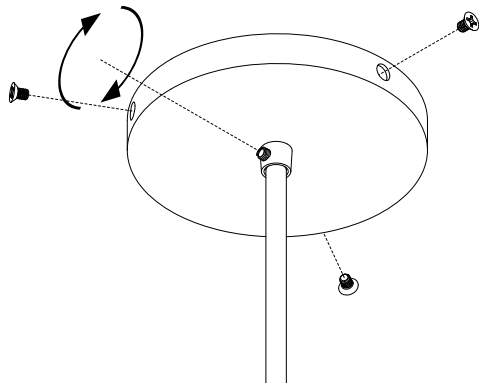
Green screw = **Ground** (G)



STEP 5

Mount the canopy to the backplate.

Use the provided colour matched canopy screws.



STEP 6

Secure the electrical cord.

Tighten the set screw on the strain relief until the electrical cord is held in position.

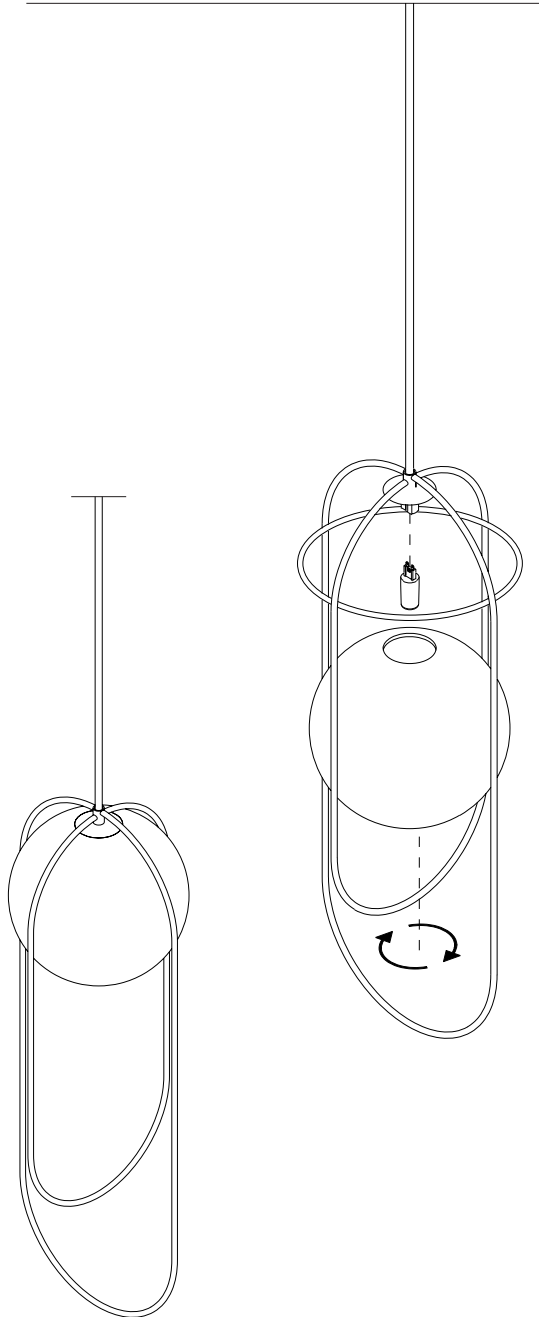
STEP 7

Install the lamping and glass globe.

Remove the glass globe from the threaded globe holder. Spin the glass globe counter-clockwise until it becomes free.

Push the G9 Lamp into the socket. A 'click' will indicate proper installation of the lamp into the socket.

Re-install the glass globe. Turn it clockwise until flush with the globe holder, taking care not to force or damage the threading.



A—N—D

For support, please contact:

info@a-n-d.com

+1 604 563 6938



1951 Franklin St,
Vancouver, BC
Canada V5L 0C7

A-N-D.COM