

BROKIS®

CM15005

ORBIS

150, 300 / PC1289, PC1290



COMPONENTS INCLUDED WITH UNIT:

- 1× light
- 1× ceiling canopy
- 1× power cable
- 1× fixture cover
- 2× set screw M5×12
- 1× hex key size 1.5
- 1× hex key size 2.5
- 2× plastic cable stop
- 1× pair cotton gloves
- 1× installation manual

WARNING:

Installation must be carried out by a qualified electrician only.

Switch off power at main circuit panel prior to installation!

The manufacturer assumes no liability for damage occurring in transport or resulting from incorrect installation.

Installation time: 30 minutes / 2 persons



BROKIS®

BROKIS S.R.O.
ŠPANILOVA 1315/25
163 00 PRAHA 6 - ŘEPY
CZECH REPUBLIC

ORG. ID 64940799
VAT ID CZ64940799
C 42174 MĚSTSKÝ SOUD
V PRAZE

TEL +420 567 211 517
TECHNICAL@BROKIS.CZ
INFO@BROKIS.CZ
WWW.BROKIS.CZ



CLEANING THE GLASS:

BROKIS upholds only the highest possible quality standards. Prior to shipping, the light undergoes several quality controls and stages of cleaning. Because transportation, storage, and the amount of time that passes between packing at our plant and subsequent unpacking by the client can affect the light in different ways, we strongly recommend cleaning it prior to assembly.

The glass must first be rinsed in warm water, and a dish detergent may be used to remove all foreign particles, dust, and grease. Repeat the process if necessary and then dry the glass thoroughly with a paper towel.

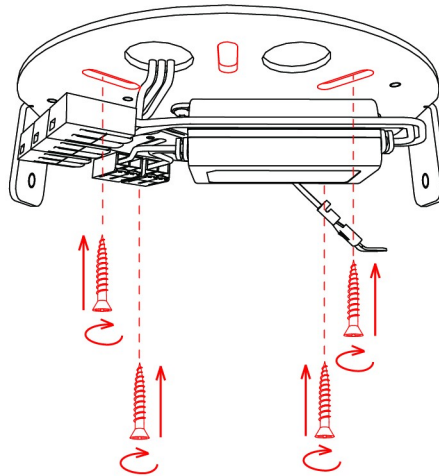
Recommendation: Do not use mineral spirits, highly concentrated thinners, or other substances not intended for use on glass surfaces. Do not use any cleaning agents containing silicone, as they may leave a film and attract dust and smudges.

PRIOR TO SHIPPING, THE FUNCTIONALITY OF EACH LIGHT AND ITS COMPONENTS IS CHECKED THOROUGHLY. THE MANUFACTURER ASSUMES NO LIABILITY FOR THE MISHANDLING OF PRODUCTS.



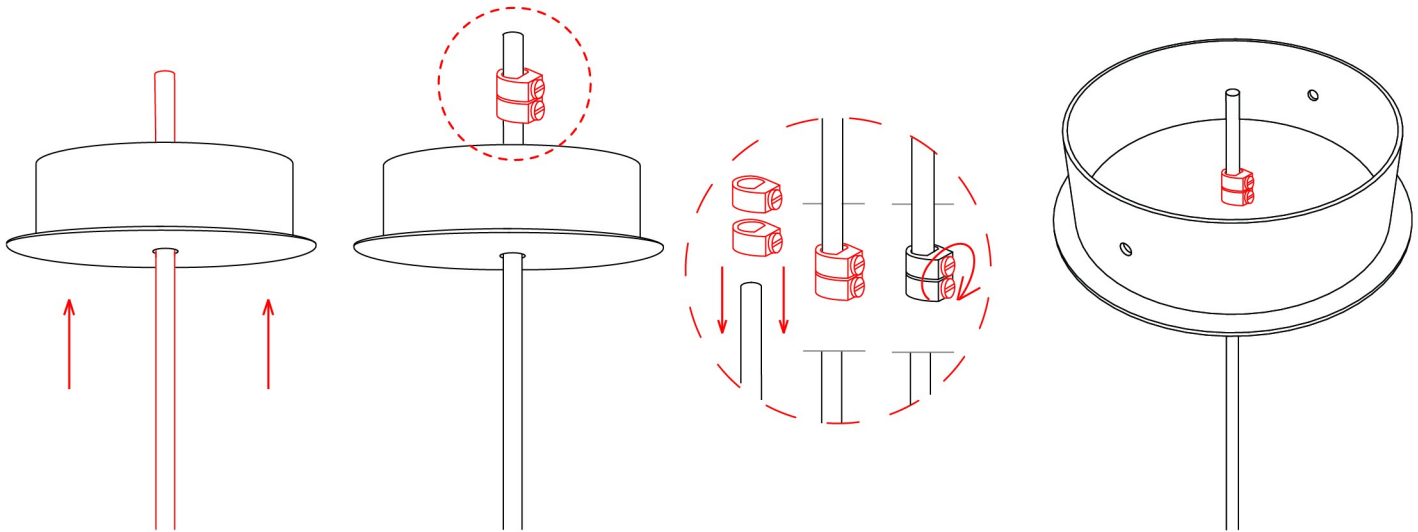
1. INSTALLING THE CEILING BRACKET

Using anchors of sufficient strength (not included), secure the bracket to the ceiling. With regard to various types of ceilings, we recommend consulting installation with an expert. The manufacturer assumes no liability for incorrect installation, the use of improper anchors, or defects in the material to which the bracket is secured.



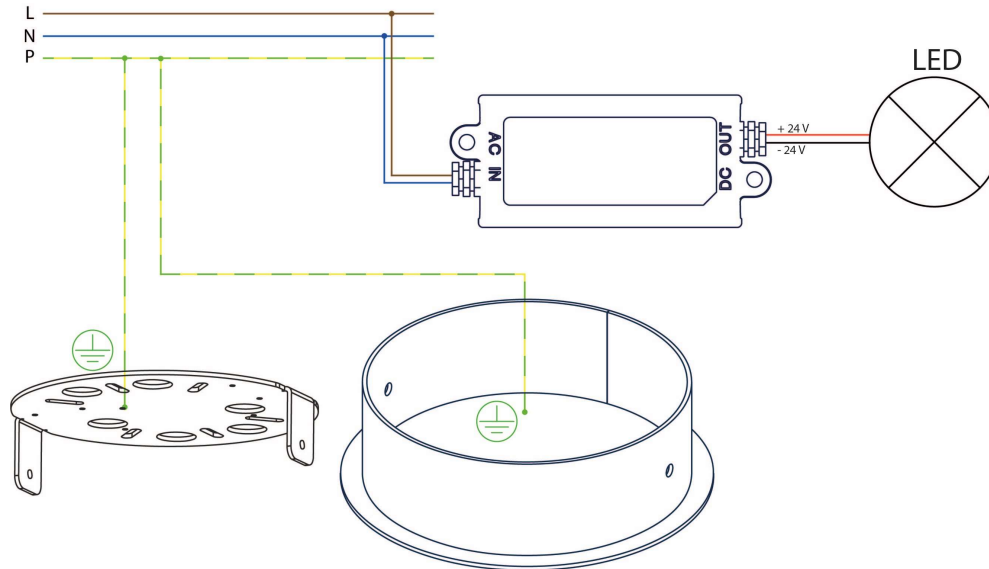
2. INSTALLING THE POWER CABLE

Pass the power cable through the ceiling canopy, adjust to the required length, and then secure in place with the two plastic cable stops.



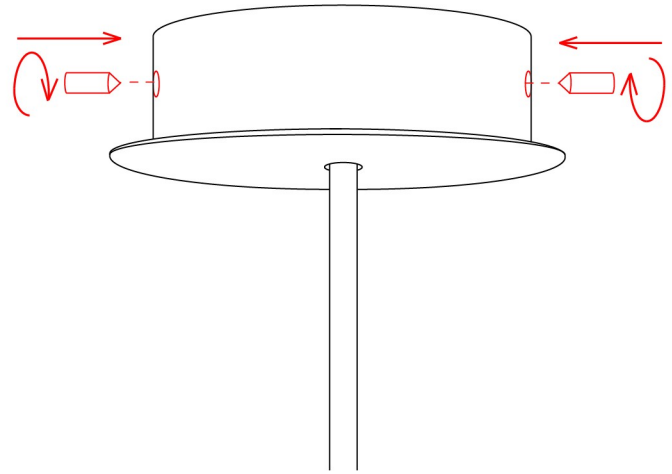
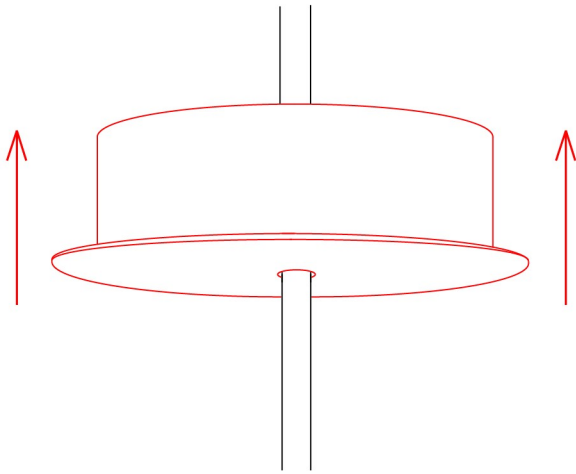
3. CONNECTING THE LIGHT TO THE BUILDING WIRING

Connect the light to the building wiring according to the connection diagram.



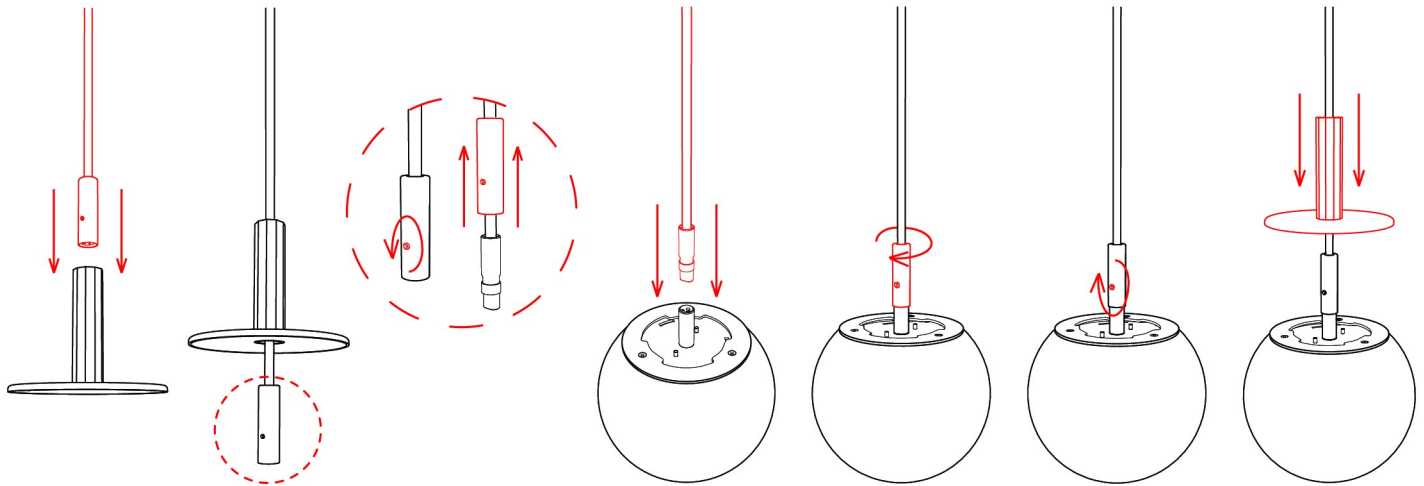
4. INSTALLING THE CEILING CANOPY

Use the two set screws (M5×12) and the size 2.5 hex key to attach the ceiling canopy to the bracket.



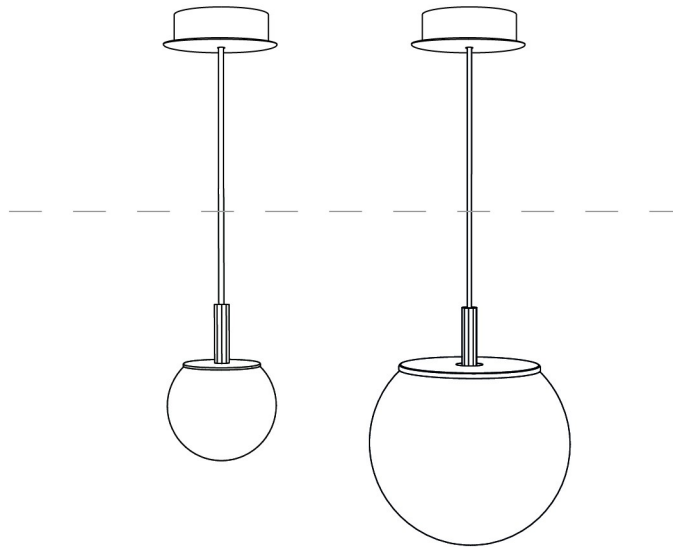
5. ASSEMBLING THE LIGHT

Pass the power cable through the fixture cover. Using the 1.5 hex key, loosen the set screw on the connector. Insert the connector on the power cable into the connector on the light and screw the sleeve in place. Retighten the set screw and position the fixture cover on the light.



6. SWITCHING ON THE LIGHT

Restore power at the main circuit panel and verify that the light works properly.

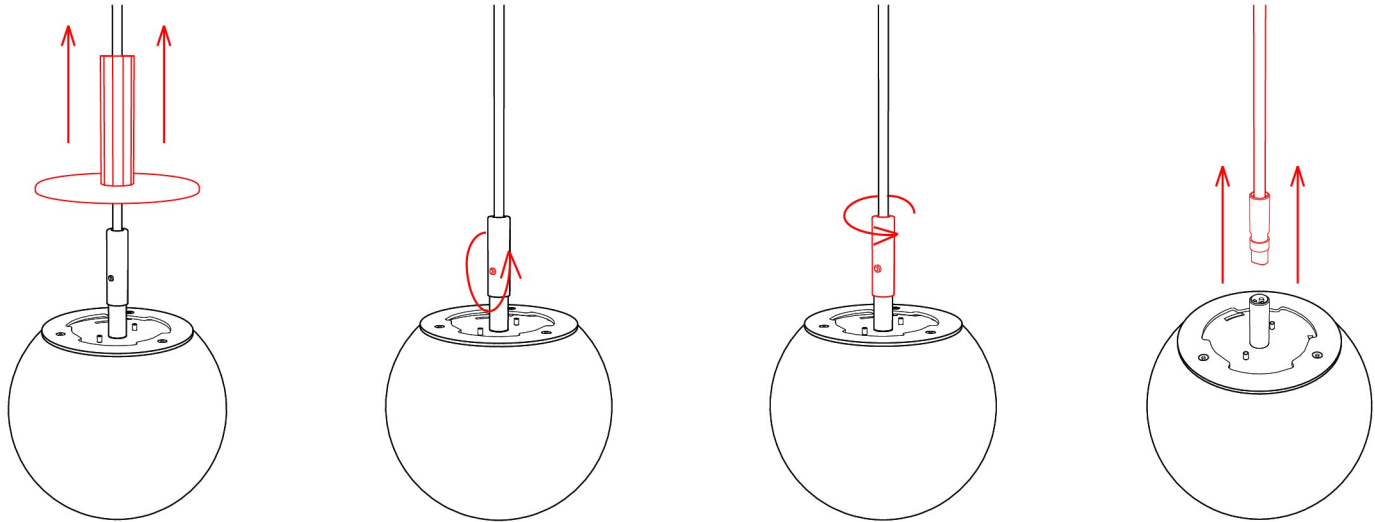


7. CLEANING / DISASSEMBLING AND REPLACING THE GLASS 1/3

Always disconnect the light from the power source before cleaning its internal parts.

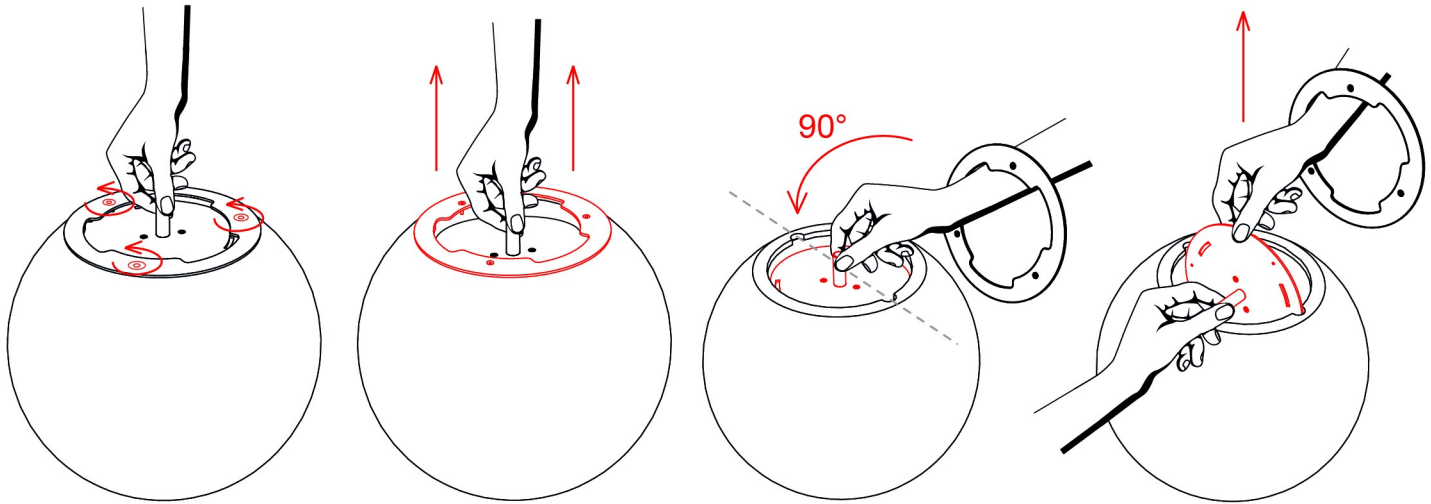
First, disconnect the light from the power cable by lifting the top of the light upwards and using the 1.5 hex key to loosen the set screw in the connector sleeve. Next, unscrew the sleeve and pull the connector out of the light.

Slide the top off of the power cable and carefully place the light on a soft surface.



8. CLEANING / DISASSEMBLING AND REPLACING THE GLASS 2/3

Grasp the metal fixture by the connector and use a size 0 Phillips screwdriver (not supplied with unit) to remove the three M3 screws in the metal fixture. While still holding the fixture by the connector, remove the metal ring from the glass shade and slide it onto your arm. Turn the metal fixture 90° so that it passes through the opening in the glass, and then use your other hand to remove it. You can now clean or replace the glass.



9. CLEANING / DISASSEMBLING AND REPLACING THE GLASS 3/3

Slide the metal ring onto your arm and grasp the metal fixture by the connector. Next, lower the metal fixture into the glass shade and turn it 90°. Slide the metal ring off your arm and onto the glass shade so that the screws align with the holes in the metal fixture. Using a size 0 Phillips screwdriver (not supplied with unit), drive the three screws into the metal fixture but do not completely tighten them. First, centre the fixture in the opening and then only slightly tighten the screws to prevent the fixture from shifting. Complete reassembly by following steps 5. ASSEMBLING THE LIGHT and 6. SWITCHING ON THE LIGHT.

