



BROKIS®



OVERLAY

CM20059

PENDANT L - PC1405



Download

COMPONENTS INCLUDED WITH UNIT:

- 1× light
- 1× light source
- 2× hand screw M4×16
- 4× set screw M5×16
- 1× hex key size 2.5
- 1× hex key size 3
- 1× spirit level
- 1× pair cotton gloves
- 1× installation manual

WARNING:

Installation must be carried out by a qualified electrician only.

Switch off power at main circuit panel prior to installation!

The manufacturer assumes no liability for damage occurring during transport or resulting from incorrect installation.

Installation time: 30 minutes / 2 persons



BROKIS®

BROKIS S.R.O.
ŠPANILOVA 1315/25
163 00 PRAHA 6 - ŘEPY
CZECH REPUBLIC

ORG. ID 64940799
VAT ID CZ64940799
C 42174 MĚSTSKÝ SOUD
V PRAZE

TEL +420 567 211 517
TECHNICAL@BROKIS.CZ
INFO@BROKIS.CZ
WWW.BROKIS.COM



CLEANING THE GLASS

BROKIS upholds only the highest possible quality standards. Prior to shipping, the light undergoes several quality controls and stages of cleaning. Because transportation, storage, and the amount of time that passes between packing at our plant and subsequent unpacking by the client can affect the light in different ways, we strongly recommend cleaning it prior to assembly.

The glass must first be rinsed in warm water, and a dish detergent may be used to remove all foreign particles, dust, and grease. Repeat the process if necessary and then dry the glass thoroughly with a paper towel.

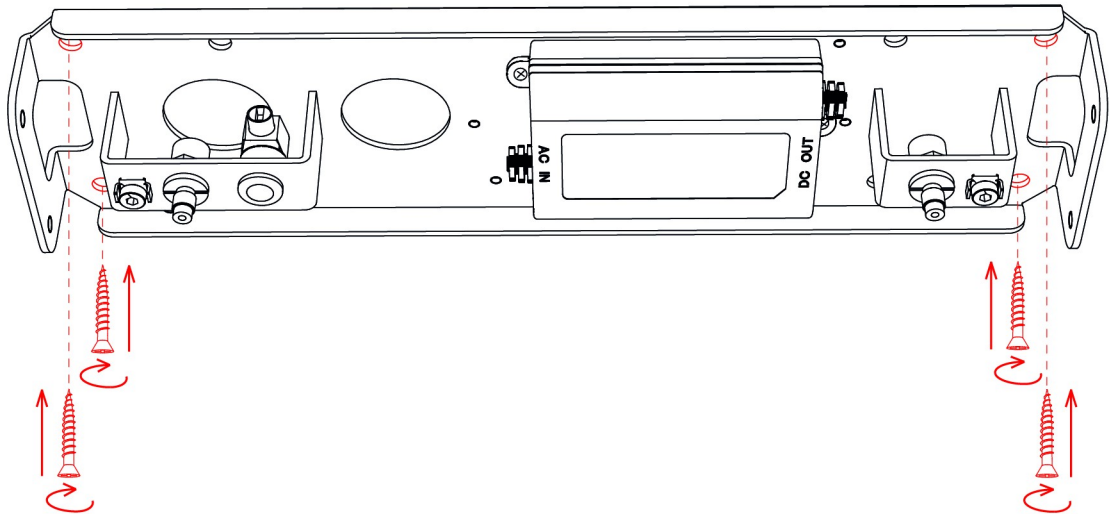
Recommendation: Do not use mineral spirits, highly concentrated thinners, or other substances not intended for use on glass surfaces. Do not use any cleaning agents containing silicone, as they may leave a film and attract dust and smudges.

PRIOR TO SHIPPING, THE FUNCTIONALITY OF EACH LIGHT AND ITS COMPONENTS IS THOROUGHLY TESTED. THE MANUFACTURER ASSUMES NO LIABILITY FOR THE MISHANDLING OF PRODUCTS.



1. INSTALLING THE CEILING BRACKET

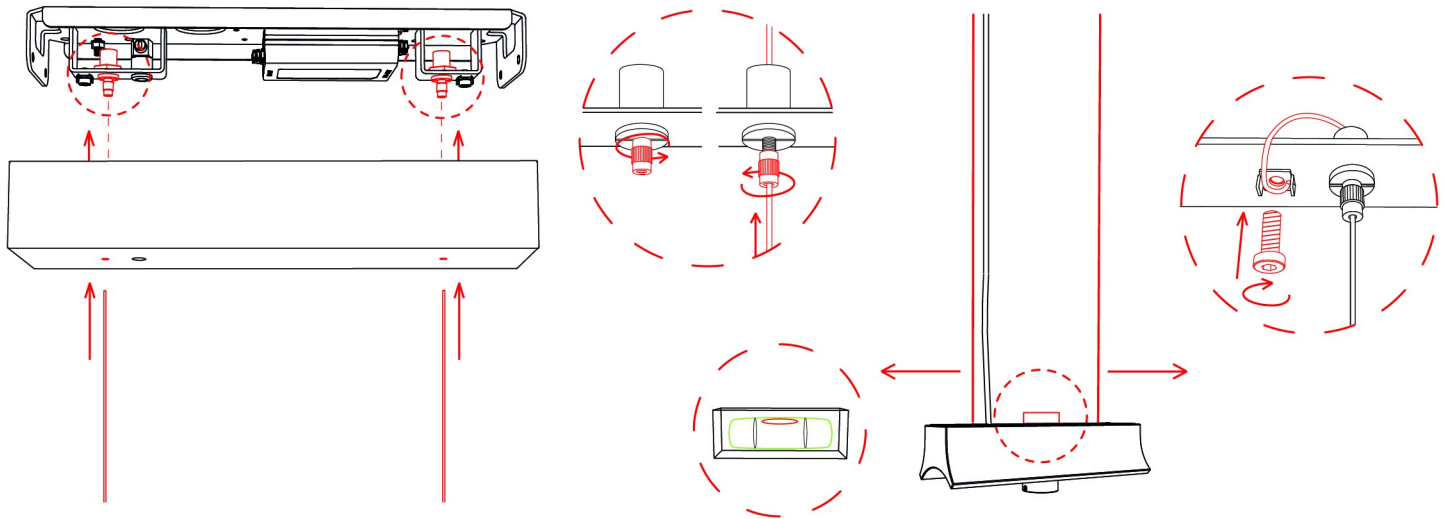
Using anchors of sufficient strength (not included), secure the bracket to the ceiling. With regard to various types of ceilings, we recommend consulting installation with an expert. The manufacturer assumes no liability for incorrect installation, the use of improper anchors, or defects in the material to which the bracket is secured.



2. INSTALLING THE LIGHT 1/2

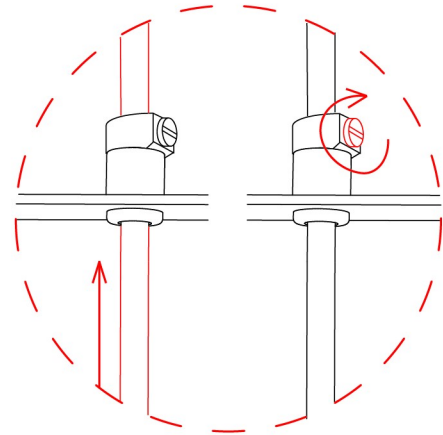
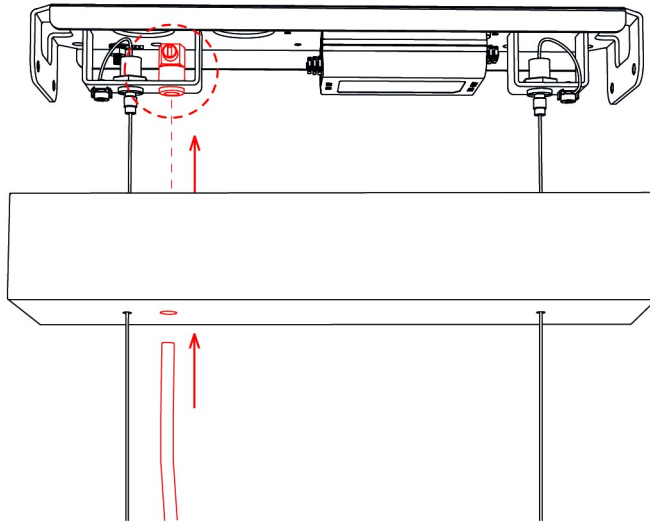
Installation requires the help of an assistant.

Pass the wire ropes through the ceiling canopy. Next, loosen the clamping cylinders on the load-bearing stops in the ceiling bracket and pass the unfrayed wire ropes through them to the required length. Then level the light using the provided spirit level. Once the light is level, retighten the clamping cylinders, trim the wire ropes at least 70 mm beyond the stops, and secure the wire ropes beneath the locking screws in the ceiling bracket. Following these steps carefully ensures that the wire ropes, which bear the entire weight of the light, are securely locked in place.



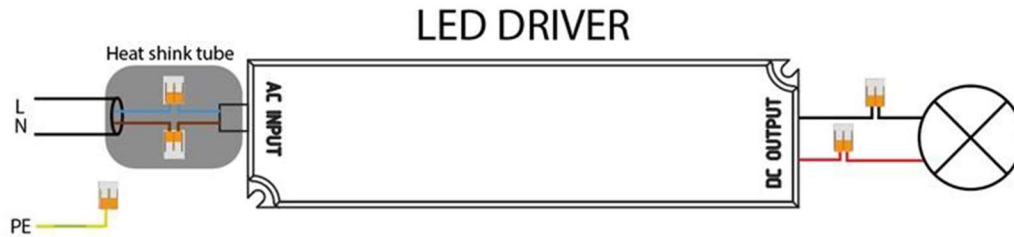
3. INSTALLING THE LIGHT 2/2

With the help of an assistant, pass the power cable through the ceiling canopy and insert it in the plastic cable stop in the ceiling bracket. Adjust the length as required and tighten the set screw in the cable stop.



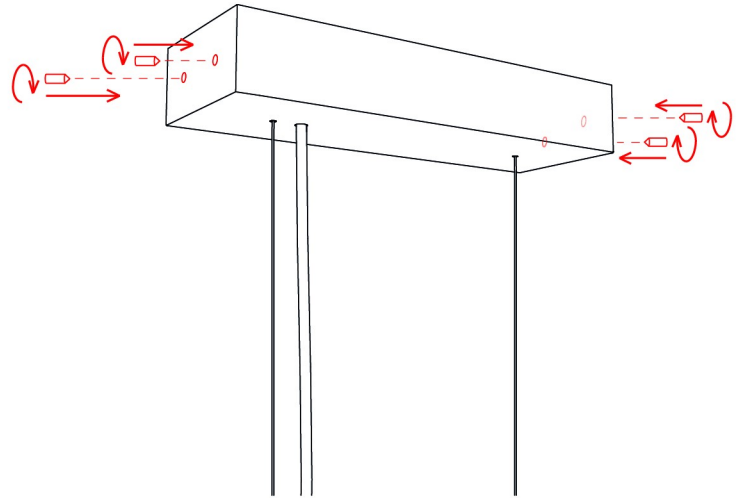
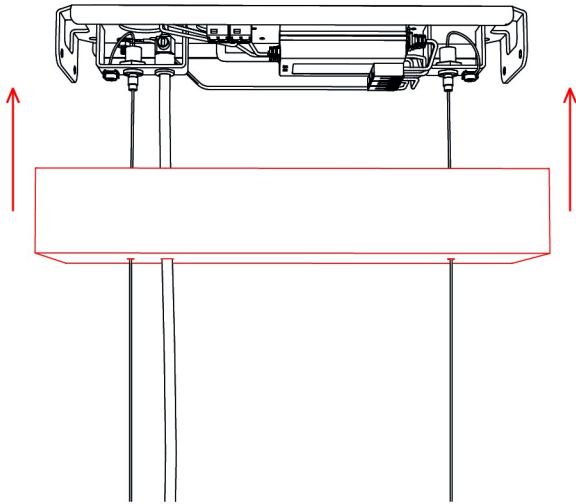
4. CONNECTING THE LIGHT TO THE BUILDING WIRING

With an assistant holding the light, connect it to the building wiring according to the diagram.



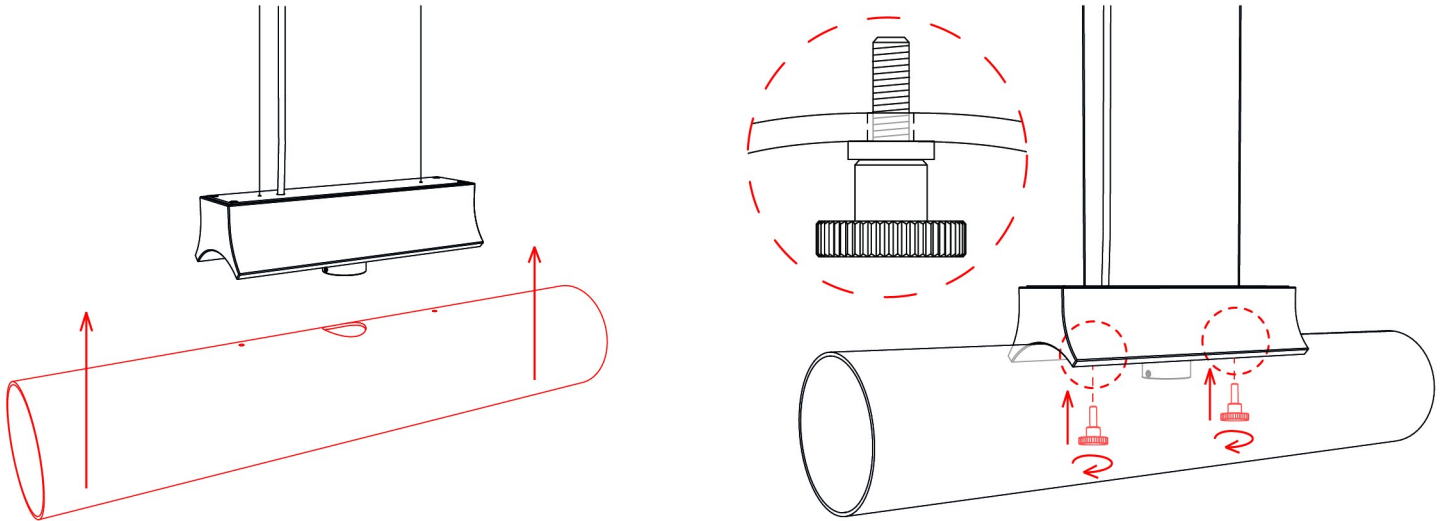
5. INSTALLING THE CEILING CANOPY

Using the four set screws M5×16 and the size 2.5 hex key, attach the ceiling canopy to the bracket.



6. ASSEMBLING THE LIGHT

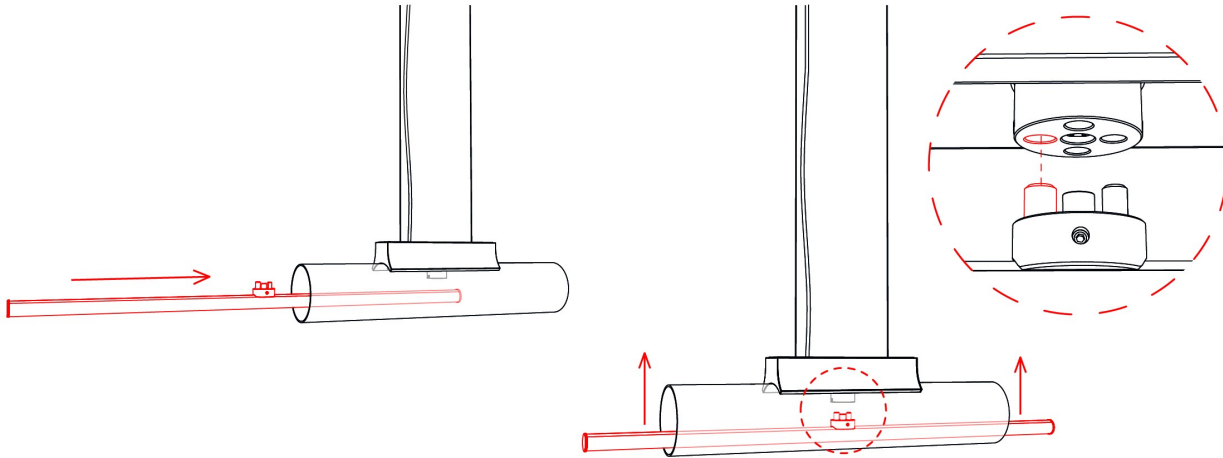
With the holes facing upwards, raise the glass shade up to the concrete fixture and use the M4×16 hand screws to secure it in place.



7. INSTALLING THE LIGHT SOURCE 1/2

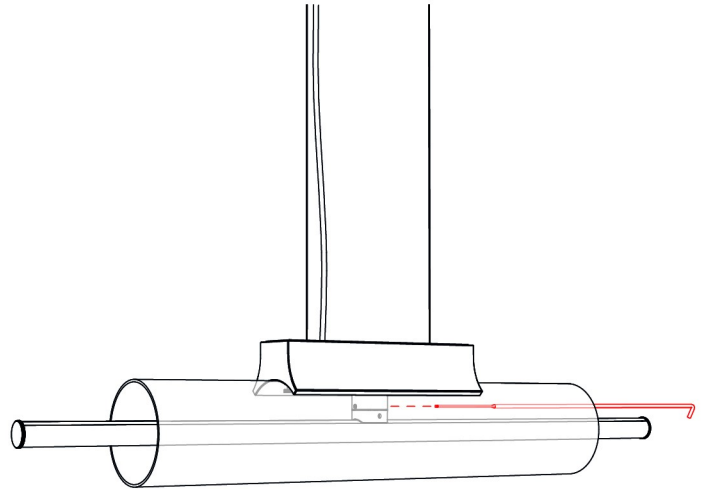
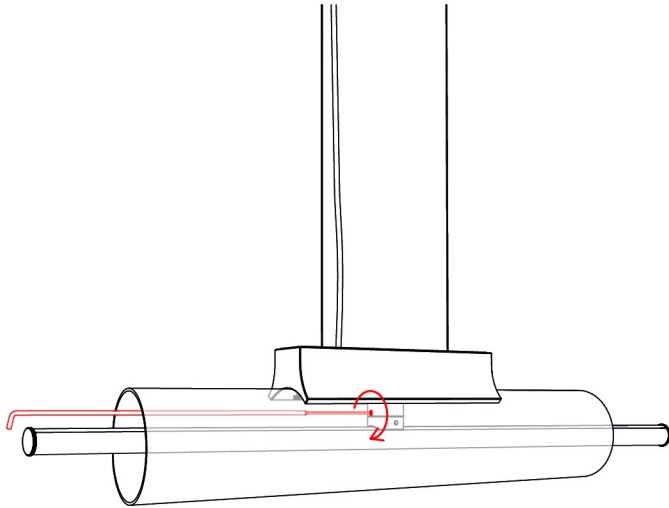
Before inserting the light source into the glass shade, check the position of the pins on the light source and in the fixture. Ensure that the larger pin on the light source aligns with the larger hole in the connector socket.

Insert the light source into the glass shade. Hold it firmly at both ends and position it over the connector socket. Proceed carefully and press the light source evenly until it is properly seated in the socket.



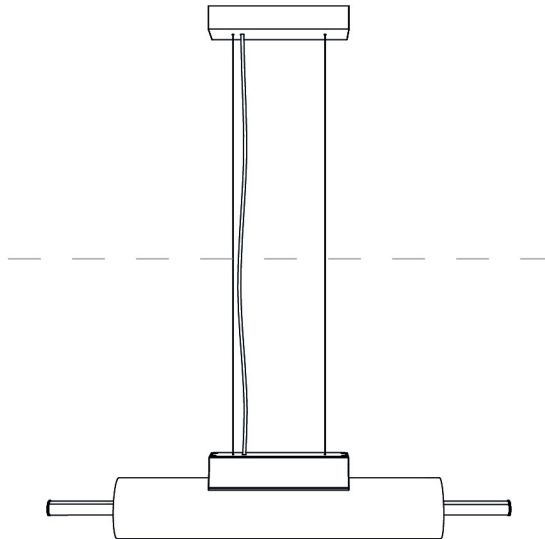
8. INSTALLING THE LIGHT SOURCE 2/2

Using the supplied hex key size 3, tighten the set screw, first on one side of the socket and then on the other.



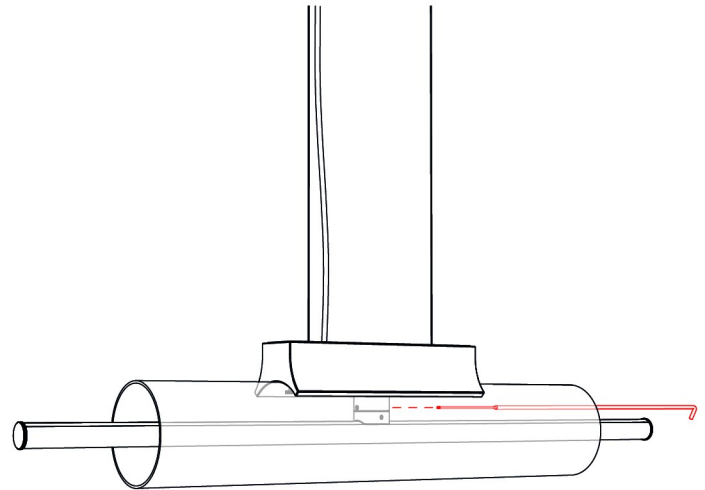
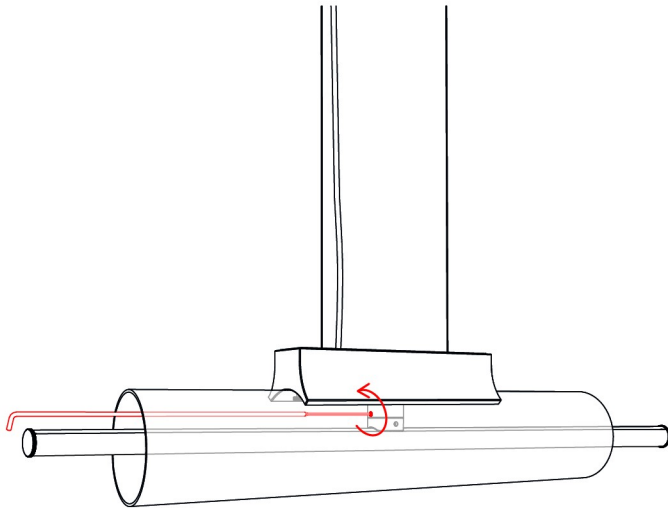
9. SWITCHING ON THE LIGHT

Restore power at the main circuit panel and verify that the light works properly.



10. REMOVING THE LIGHT SOURCE 1/2

Using the supplied hex key size 3, loosen the set screw, first on one side of the socket and then on the other.



11. REMOVING THE LIGHT SOURCE 2/2

Hold the light source firmly at both ends and pull it down to release it. Then slide it out of the glass shade.

