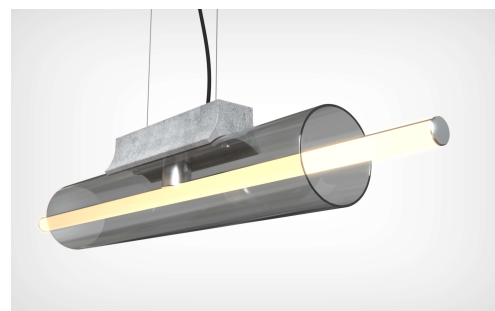




Description

Modern yet timeless. Extravagant in its style and use of clean geometric forms. Inspired by architecture. The Overlay collection arose from a synthesis of various materials on mood boards during a creative process that involved seeking ideas and associations between art and design, overlaying different textures, and playing with volumes. The blown transparent glass tubes instil the Overlay collection with a distinctive character, as does the unique concrete fixture embedded with shards of upcycled glass from Janštejn Glassworks.



Tech. description

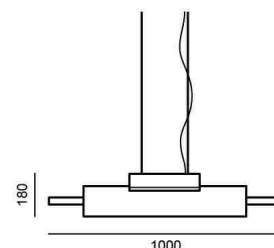
The light comprises a glass tube, concrete fixture with an LED module, and a concrete ceiling canopy. The lower part of the light is suspended from two wire ropes anchored in the ceiling canopy. The concrete elements contain a high proportion of glass shards from Janštejn Glassworks.

Available colour options: <https://mbapi.cz/red/pis/eu/en/pc1405>

CONSTRUCTION SPECIFICATION

Weight:	6.5 kg
Construction material:	glass, metal, concrete
Cord length [mm]:	2,000 mm
Mounting:	Ceiling
Environment:	Indoor

DIMENSIONS [mm]



ELECTRICAL SPECIFICATION

Input voltage [V]:	120-277 VAC
Frequency [Hz]:	50-60 Hz
Max. power [W]:	23.5 W
Coverage IP:	20
Socket:	-
Light source:	LED module
Energy class:	E

CERTIFICATIONS





INNER FIXTURE

Dimensions l x w x h [mm]	300 x 100 x 50 mm
Weight [kg]	1.2 kg
Material	concrete



Drawing

Hole placement

