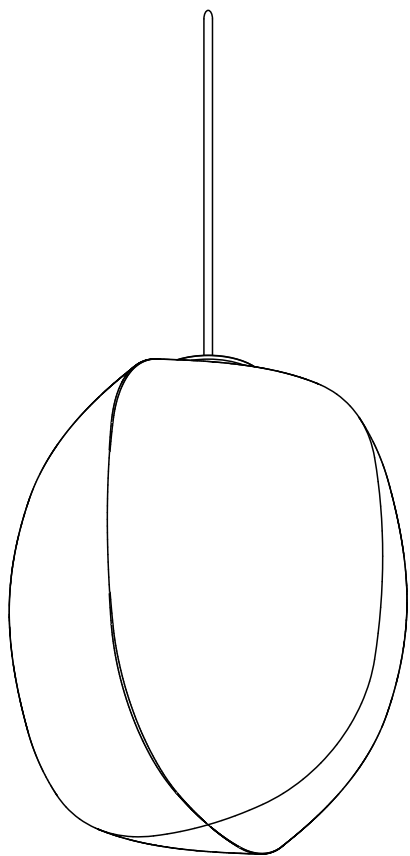


Mori Pendant

16766 rA

Low Voltage Input



CAUTION:

Before starting, turn off power at main circuit panel.

ADVERTENCIA:

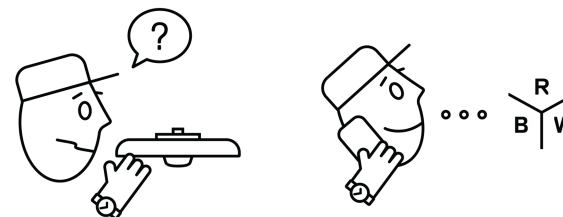
Antes de comenzar la instalación, apague la corriente en el tablero principal.

ATTENTION:

Coupez l'alimentation avant de proceder à l'installation.



Calling for backup? Scan above to contact our team.

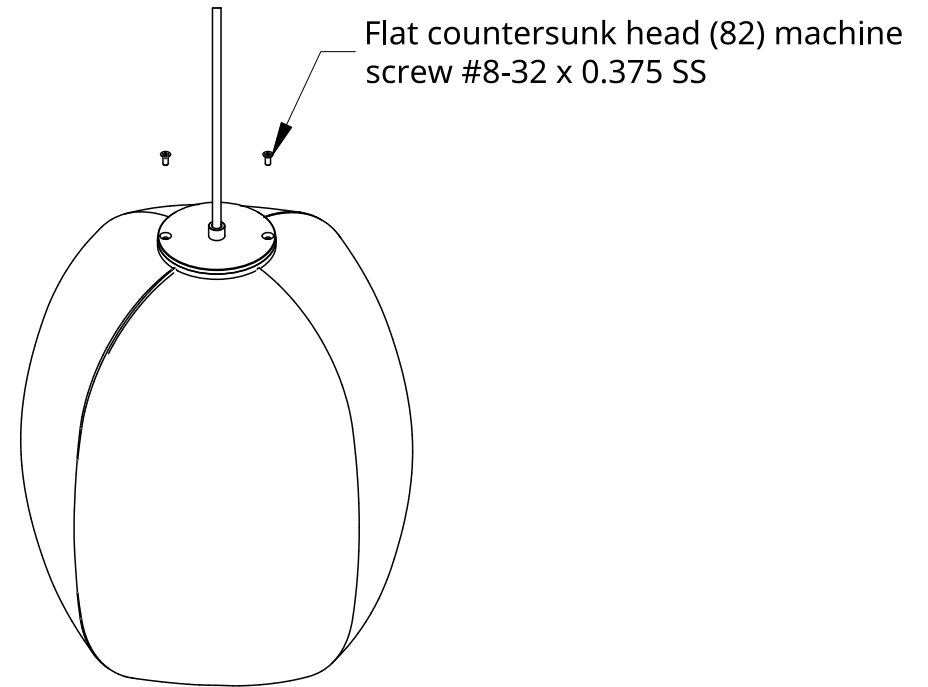
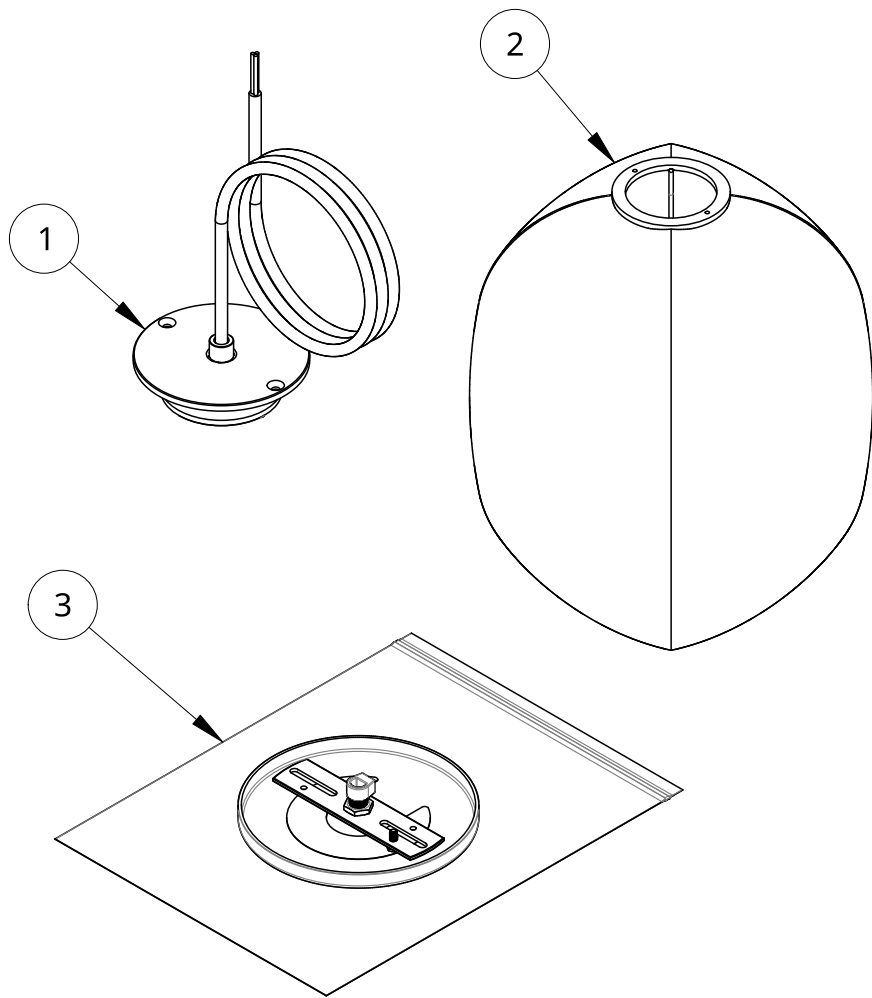


www.RBW.com

+1 212 388 0399

support@RBW.com

© RBW Studio LLC, 2013, 2020

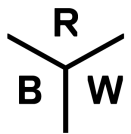


Installation - Shade

1. Raise Mori Shade up to Pendant Module.
2. Secure Shade to Pendant Module by fastening 2X #8-32 Flat head screws.
3. Congratulations! End of guide.

See Canopy Install Instructions 16772 for information on ceiling canopy installation.

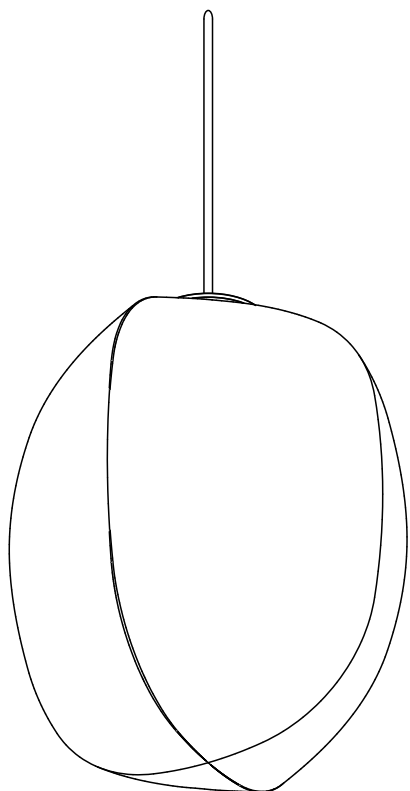
Item	Qty	Part number	Description
1	1	12437-PC20-27	DEL I, II, III Pendant Module Sub-Assembly 13810 RBW Standard
2	1	12304	Mori Pendant Gourd
3	1	14825	Package: Flat Round Cord Suspension. UL 2108. White



Mori Pendant

12527 rA

AC Input



CAUTION:

Before starting, turn off power at main circuit panel.

ADVERTENCIA:

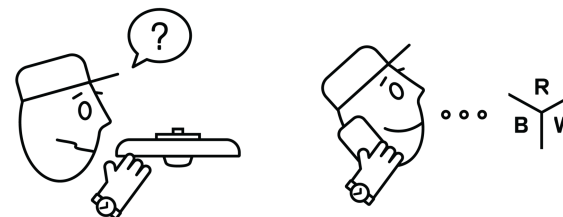
Antes de comenzar la instalación, apague la corriente en el tablero principal.

ATTENTION:

Coupez l'alimentation avant de proceder à l'installation.



Calling for backup? Scan above to contact our team.

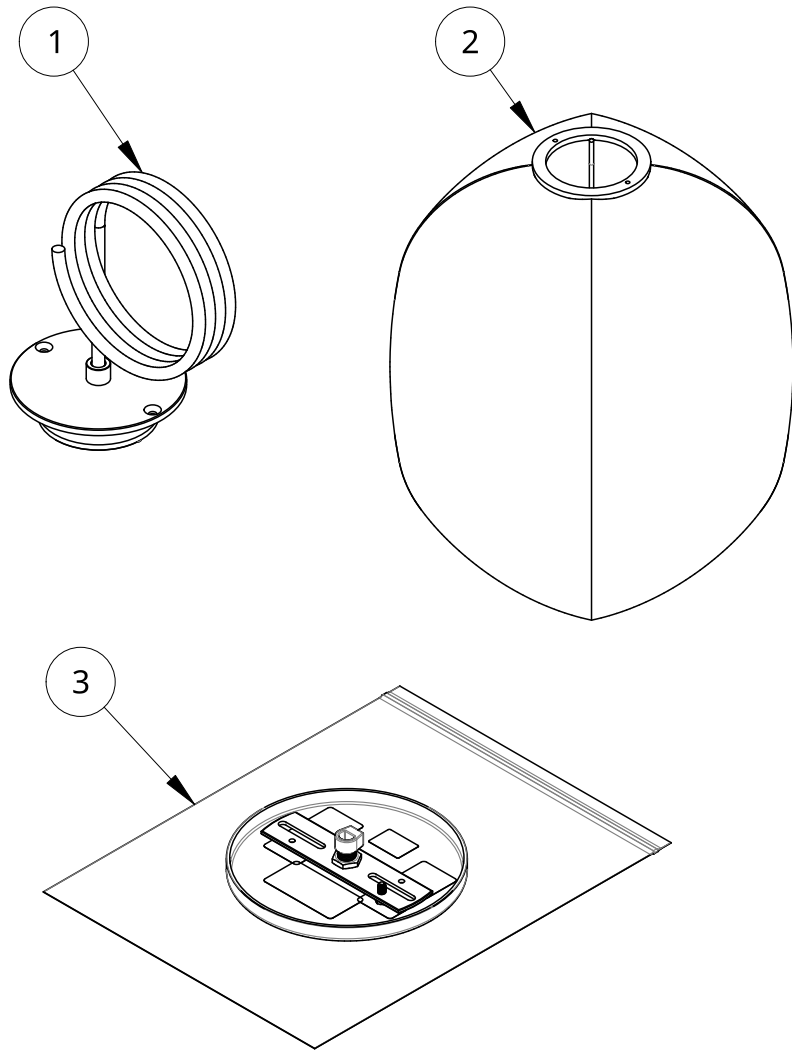


www.RBW.com

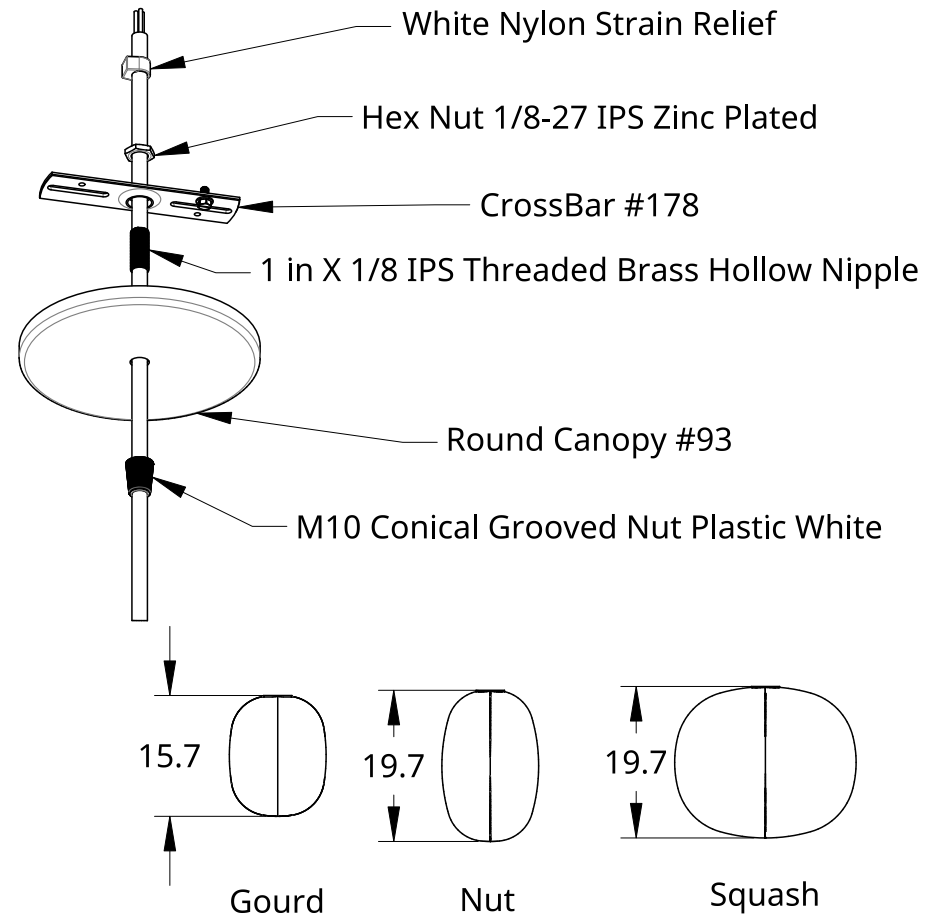
+1 212 388 1621

support@RBW.com

© RBW Studio LLC, 2013, 2020

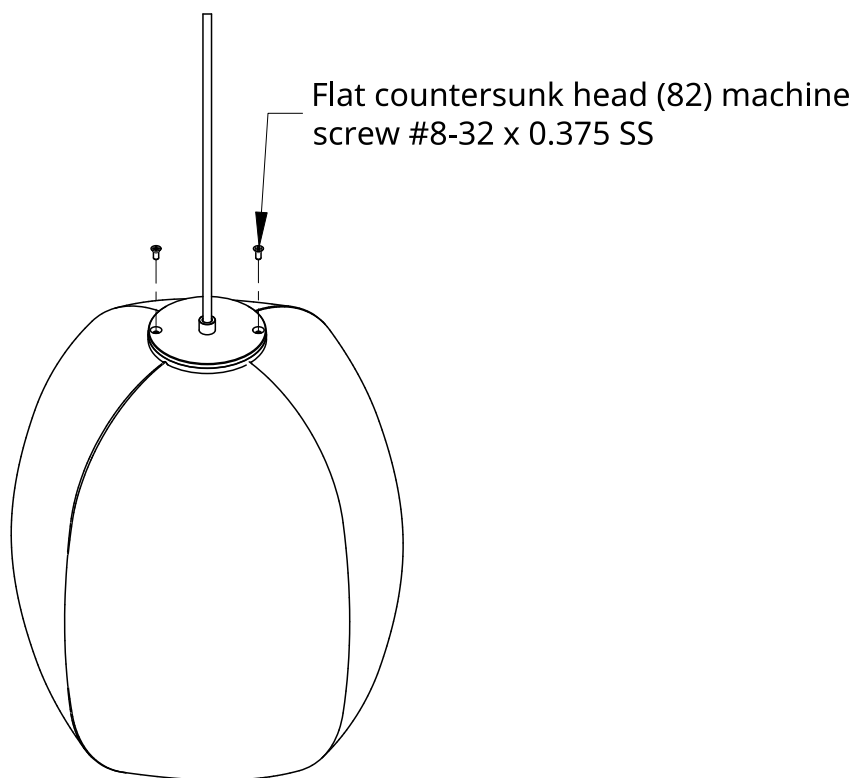


Item	Qty	Part number	Description
1	1	12436-PC20-27	Pendant Module Sub-Assembly 120 AB GES
2	1	12304	Mori Pendant Gourd
3	1	12612	CP09 Canopy Kit



Installation - Canopy

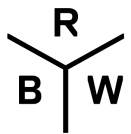
1. Thread Brass Nipple through the Crossbar and thread Hex Nut onto Brass Nipple.
2. Slide the Conical Nut, Round Canopy, Nipple, Crossbar, Hex Nut and Strain Relief over Power Cord.
3. Fasten Strain Relief at desired hang height by tightening the set screw.
4. Fasten Crossbar to the junction box.
5. Trim and strip excess power cord.
6. Connect power feed.
7. Raise Round Canopy and thread Conical Nut onto 1/8 IPS Nipple.



Page intentionally left blank

Installation - Shade

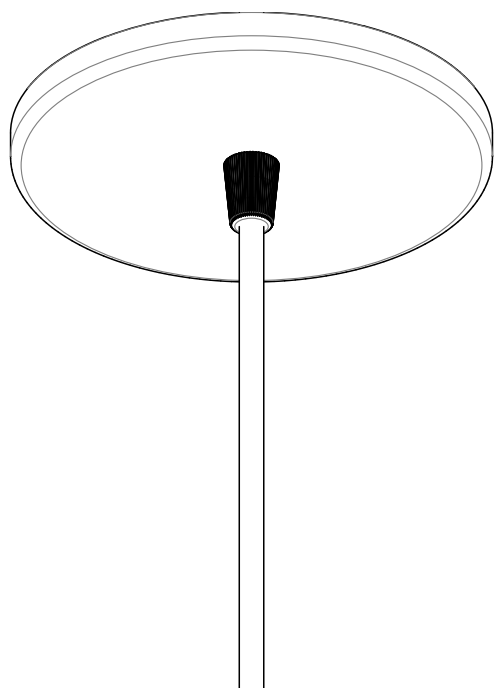
1. Raise Mori Shade up to Pendant Module.
2. Secure Shade to Pendant Module by fastening 2 #8-32 Flat head screws.
3. Congratulations! End of guide.



Flat Canopy

16772 rA

Round
Cord Suspension
Low Voltage Input



CAUTION:

Before starting, turn off power at main circuit panel.

ADVERTENCIA:

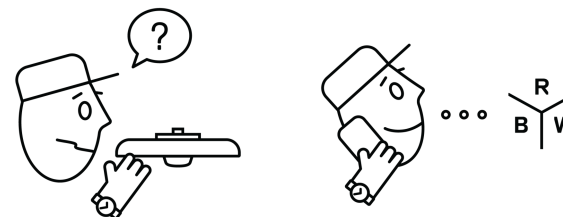
Antes de comenzar la instalación, apague la corriente en el tablero principal.

ATTENTION:

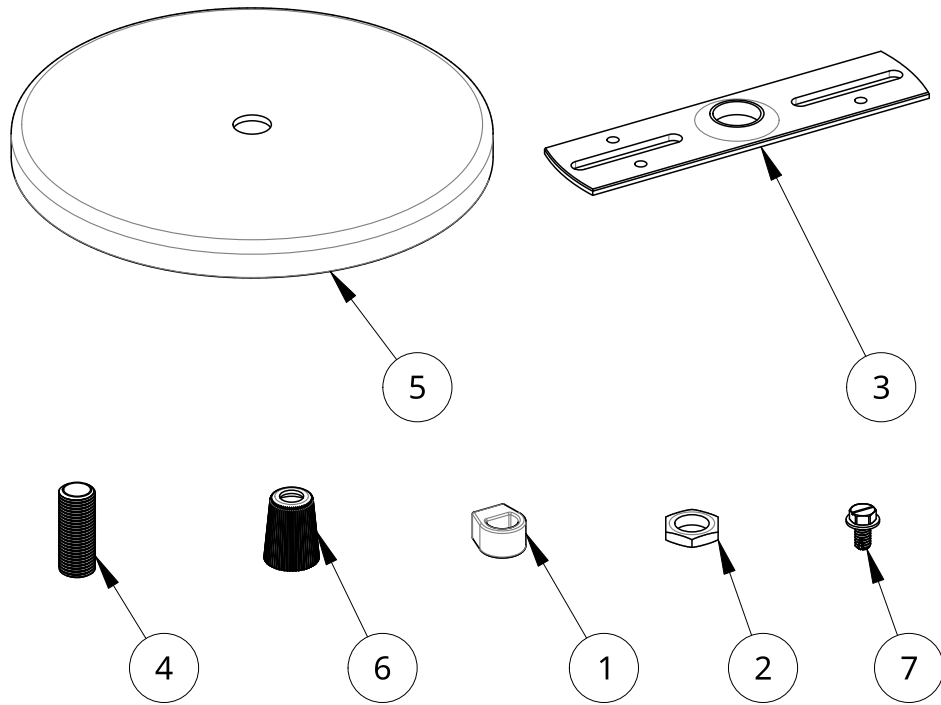
Coupez l'alimentation avant de proceder à l'installation.



Calling for backup? Scan above to contact our team.

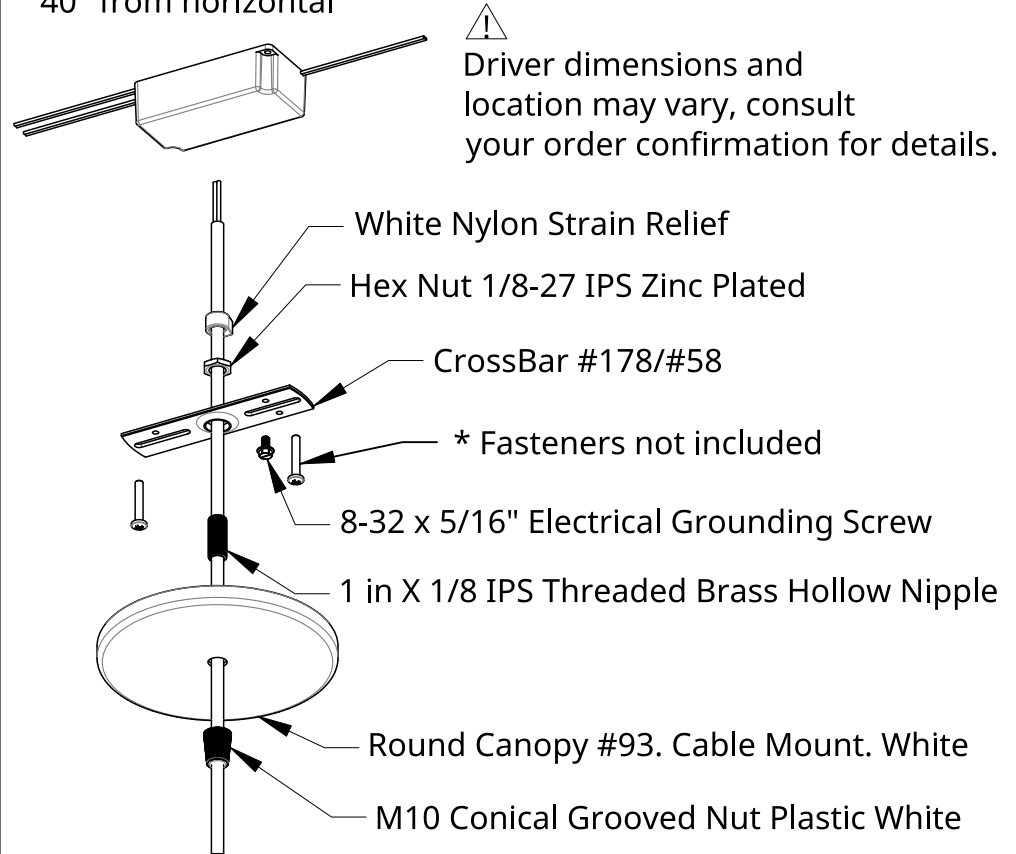


www.RBW.com
+1 212 388 0399
support@RBW.com
© RBW Studio LLC, 2013, 2020



Item	Qty	Part number	Description
1	1	BG505W	White Nylon Strain Relief
2	1	10869	Hex Nut 1/8-27 IPS Zinc Plated
3	1	10782	CrossBar #178/#58
4	1	11226	1 in X 1/8 IPS Threaded Brass Hollow Nipple
5	1	10881-PC20	Round Canopy #93. Cable Mount. White
6	1	STE5905A	M10 Conical Grooved Nut Plastic White
7	1	92597A800	8-32 x 5/16" Electrical Grounding Screw

NOTE: Recommended to install on sloped ceiling no more than 40° from horizontal



Installation - Flat Round Canopy

1. Thread Brass Nipple through the Crossbar and thread Hex Nut onto Brass Nipple.
2. Slide the Conical Nut, Round Canopy, Nipple, Crossbar, Hex Nut and Strain Relief over Power Cord.
3. Fasten Strain Relief at desired hang height by tightening the set screw.
4. Fasten Crossbar to the junction box.
5. Trim and strip excess power cord.
6. Connect Red (+) and Black (-) leads to low voltage leads from externally located driver.
7. Raise Round Canopy and thread Conical Nut onto 1/8 IPS Nipple.
8. Congratulations! End of guide.