

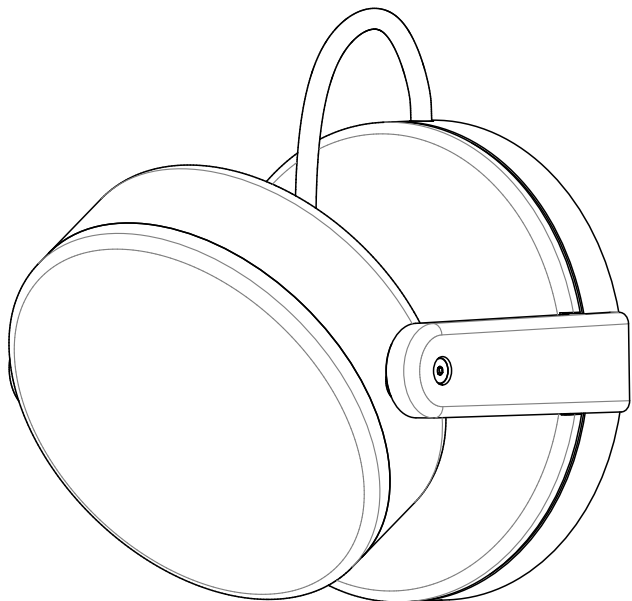


Monocle

14799 rA

Low Voltage Input

Note: External power supply may be required.



CAUTION:

Before starting, turn off power at main circuit panel.

ADVERTENCIA:

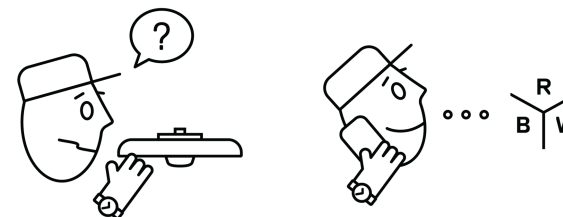
Antes de comenzar la instalación, apague la corriente en el tablero principal.

ATTENTION:

Coupez l'alimentation avant de proceder à l'installation.



Calling for backup? Scan above to contact our team.

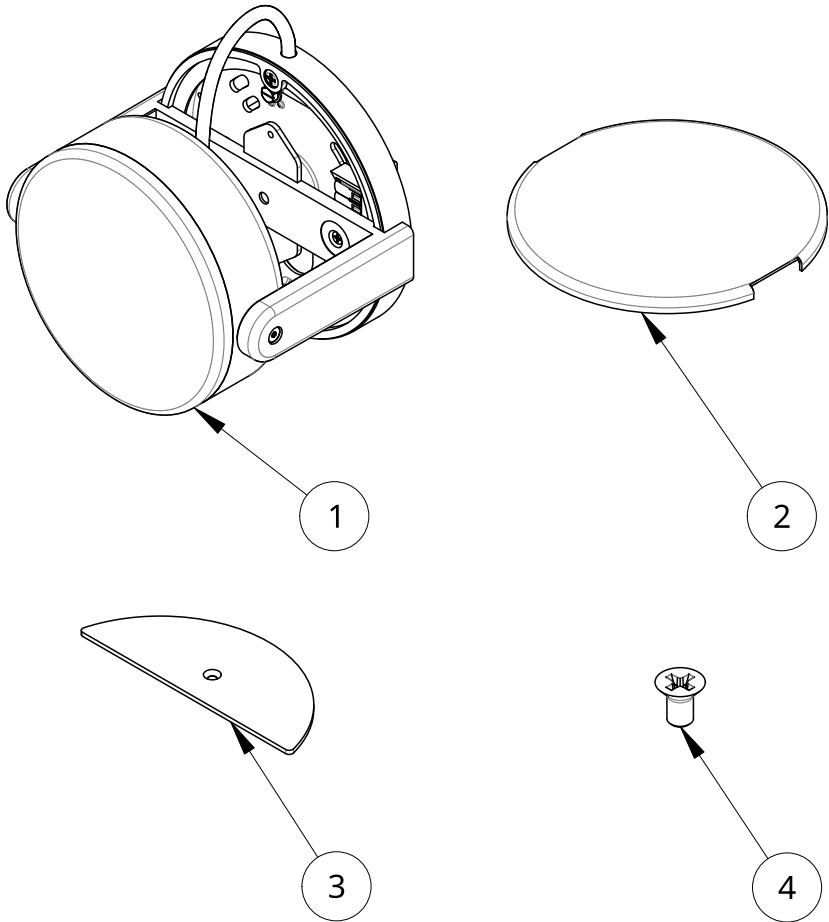


www.RBW.com

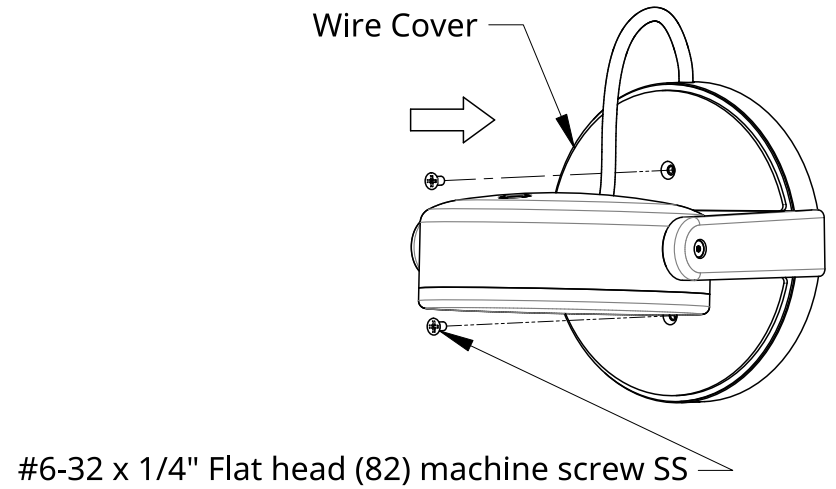
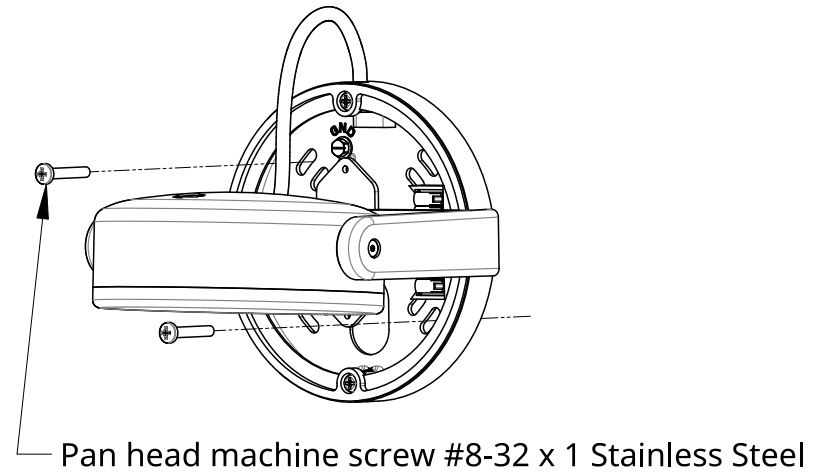
+1 212 388 0399

support@RBW.com

© RBW Studio LLC, 2013, 2020

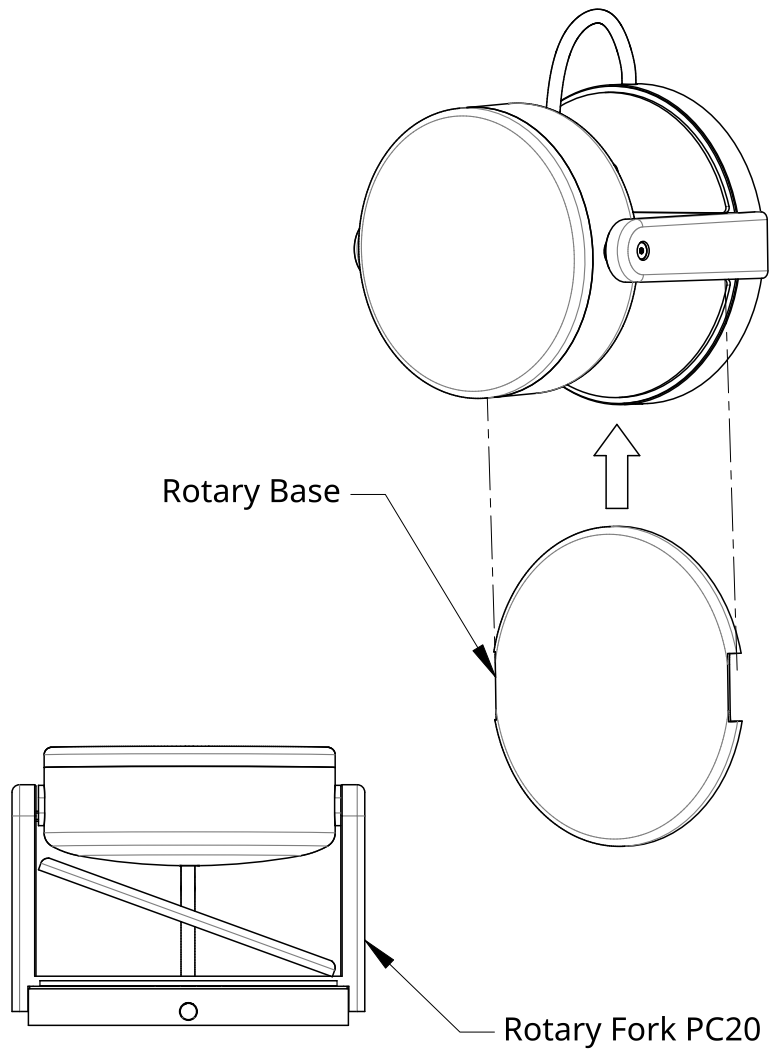


Item	Qty	Part number	Description
1	1	14772-PC20	Monocle Assembly PC20
2	1	HB-RB	Rotary Base PC20
3	2	12333	Wire Cover
4	2	90471A205	#6-32 x 1/4" Flat head (82) machine screw SS



Installation - Monocle Touch Assembly

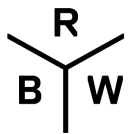
1. Connect Red (+) and Black (-) Sconce wires to low voltage leads from externally located driver.
2. Fasten Monocle Touch Assembly to desired mounting location using #8-32 Pan Head Screws.
3. Place Wire Covers on Monocle Touch Assembly.
4. Secure Wire Covers by fastening #6-32 Flat Head Screws.



Page intentionally left blank

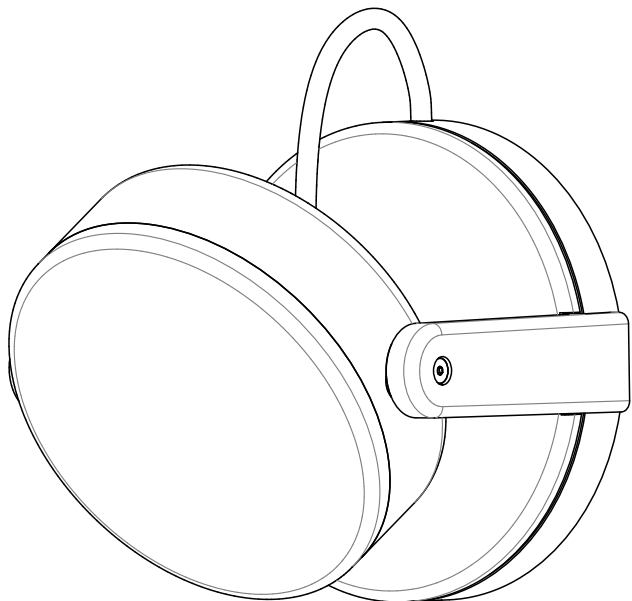
Installation - Rotary Base

1. Insert Rotary Base between Rotary Fork on an angle so notches are aligned with Rotary Fork.
2. Rotary Base will connect magnetically, then remove stickers from interior of Fork.
3. Congratulations! End of guide.



Monocle Touch 12685 rA

AC Input



CAUTION:

Before starting, turn off power at main circuit panel.

ADVERTENCIA:

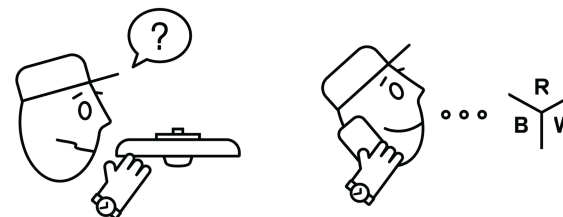
Antes de comenzar la instalación, apague la corriente en el tablero principal.

ATTENTION:

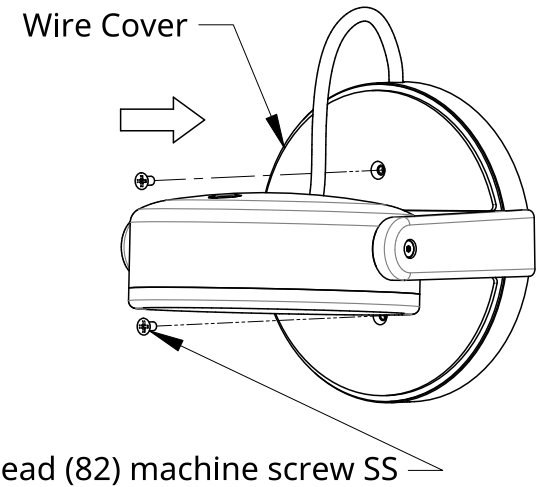
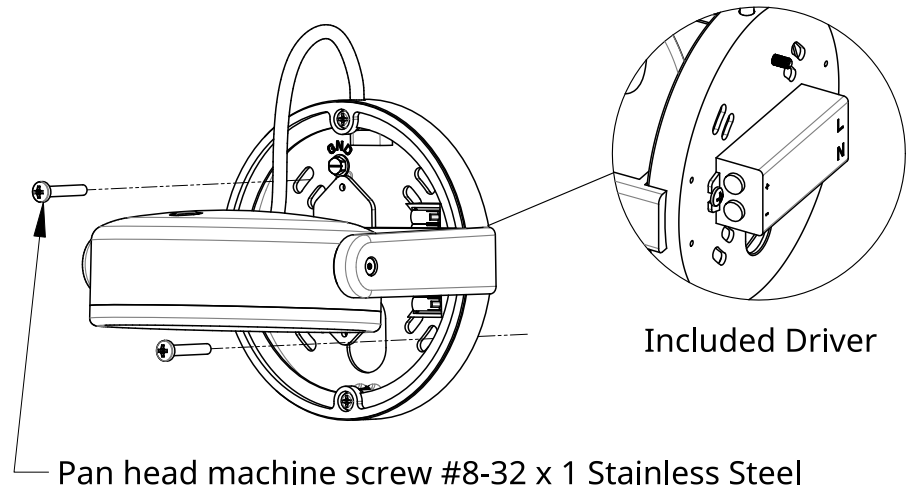
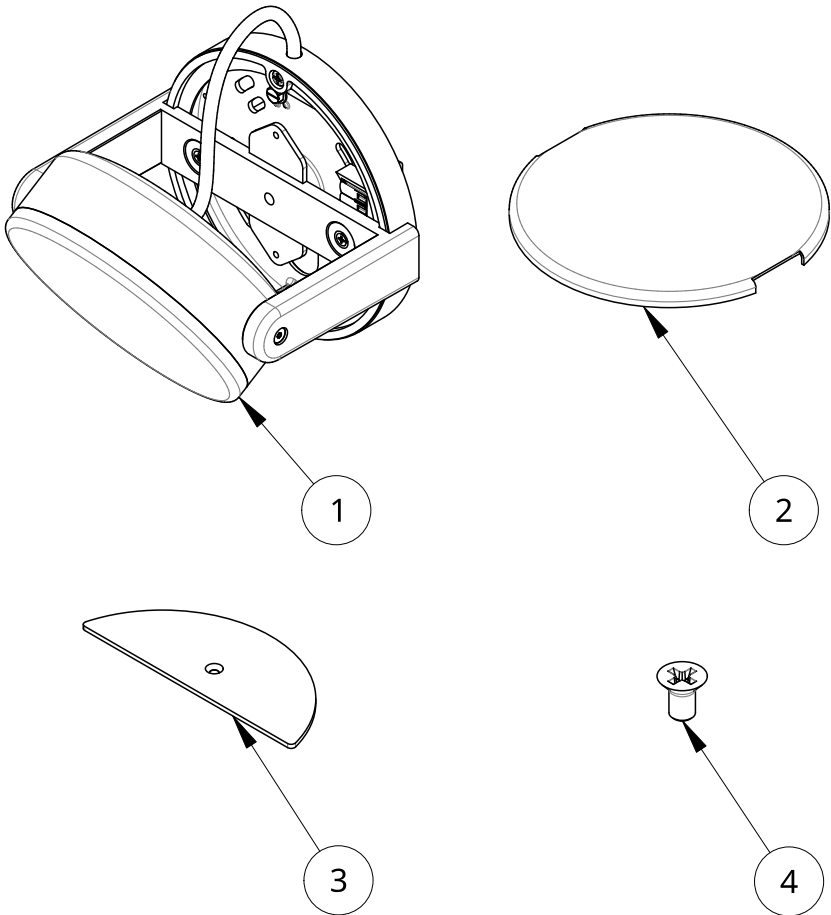
Coupez l'alimentation avant de proceder à l'installation.



Calling for backup? Scan above to contact our team.



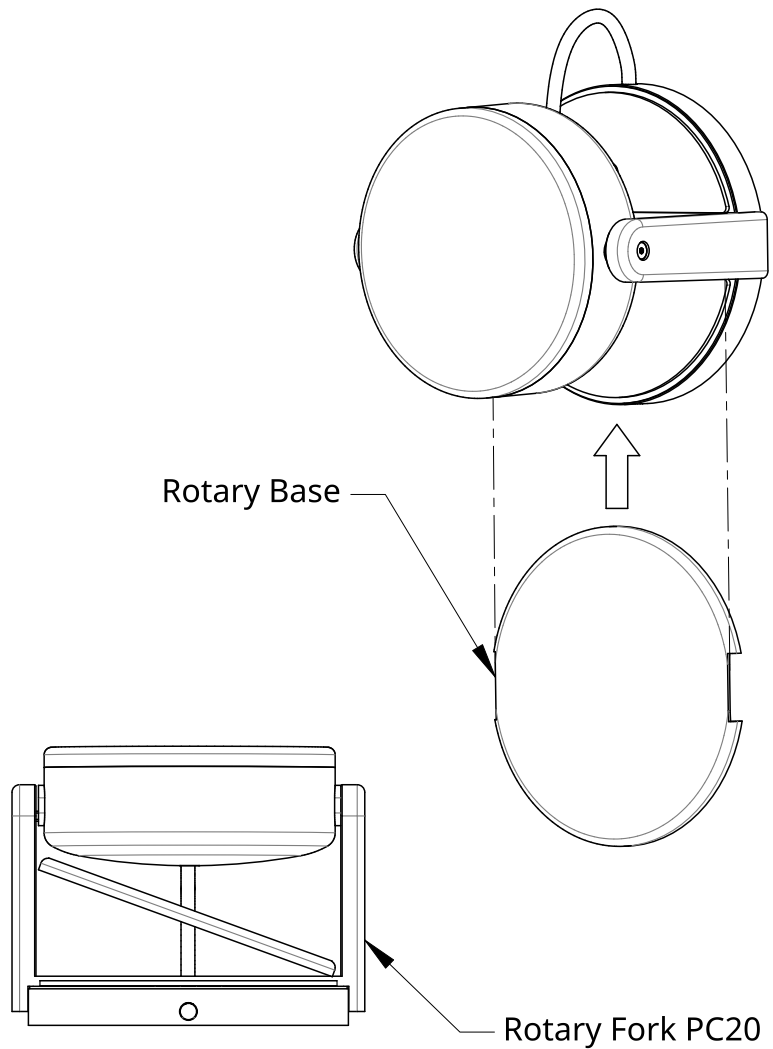
www.RBW.com
+1 212 388 1621
support@RBW.com
© RBW Studio LLC, 2013, 2020



Item	Qty	Part number	Description
1	1	12680-PC20	Monocle Touch Assembly PC20
2	1	12309-PC20	Rotary Base PC20
3	2	12333	Wire Cover
4	2	90471A205	#6-32 x 1/4" Flat head (82) machine screw SS

Installation - Monocle Touch Assembly

1. Connect Driver leads from Monocle Touch Assembly Driver to mains voltage.
2. Fasten Monocle Touch Assembly to desired mounting location using #8-32 Pan Head Screws.
3. Place Wire Covers on Monocle Touch Assembly.
4. Secure Wire Covers by fastening #6-32 Flat Head Screws.



Page intentionally left blank

Installation - Rotary Base

1. Insert Rotary Base between Rotary Fork on an angle so notches are aligned with Rotary Fork.
2. Rotary Base will connect magnetically, then remove stickers from interior of Fork.
3. Congratulations! End of guide.