

BROKIS®



CM12227

# MONA

WALL S - PC969



### COMPONENTS INCLUDED WITH UNIT:

- 1× glass shade with light source
- 1× metal body
- 1× wall bracket
- 3× terminal connectors
- 2× hex screws M5×12
- 2× hex key
- 1× cotton gloves
- 1× installation manual

### WARNING:

**Installation must be carried out by a qualified electrician only.**

**Switch off power at main circuit panel prior to installation!**

**The manufacturer assumes no liability for damage occurring during transport or resulting from incorrect installation.**

**This light is intended for interior use only.**

**The light source must be replaced by a qualified person only.**

**Installation time: 30 minutes / 1 person**



BROKIS®

BROKIS S.R.O.  
ŠPANILOVA 1315/25  
163 00 PRAHA 6 - ŘEPY  
CZECH REPUBLIC

ORG. ID 64940799  
VAT ID CZ64940799  
C 42174 MĚSTSKÝ SOUD  
V PRAZE

TEL +420 567 211 517  
TECHNICAL@BROKIS.CZ  
INFO@BROKIS.CZ  
WWW.BROKIS.CZ



### CLEANING THE GLASS

**BROKIS upholds only the highest possible quality standards. Prior to shipping, the light undergoes several quality controls and stages of cleaning. Because transportation, storage, and the amount of time that passes between packing at our plant and subsequent unpacking by the client can affect the light in different ways, we strongly recommend cleaning it prior to assembly.**

**The glass must first be rinsed in warm water, and a dish detergent may be used to remove all foreign particles, dust, and grease. Repeat the process if necessary and then dry the glass thoroughly with a paper towel.**

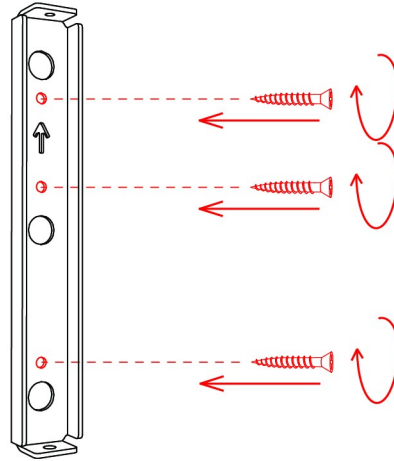
**Recommendation: Do not use mineral spirits, highly concentrated thinners, or other substances not intended for use on glass surfaces. Do not use any cleaning agents containing silicone, as they may leave a film and attract dust and smudges.**

**PRIOR TO SHIPPING, THE FUNCTIONALITY OF EACH LIGHT AND ITS COMPONENTS IS THOROUGHLY TESTED. THE MANUFACTURER ASSUMES NO LIABILITY FOR THE MISHANDLING OF PRODUCTS.**



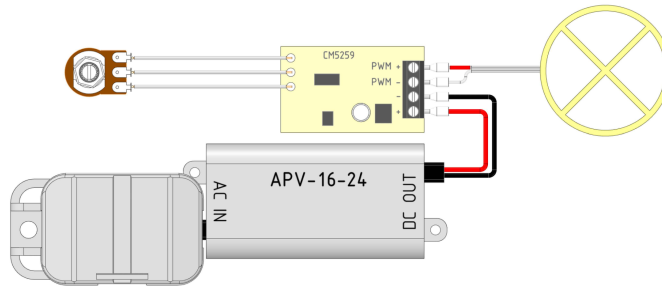
## 1. INSTALLING THE WALL BRACKET

With regard to various types of walls and materials, we recommend consulting installation with an expert. The manufacturer assumes no liability for incorrect installation or defects in the material to which the bracket is secured. Choose anchors of sufficient strength (not included). Pass the wiring through one of the holes in the bracket and screw the bracket to the wall.



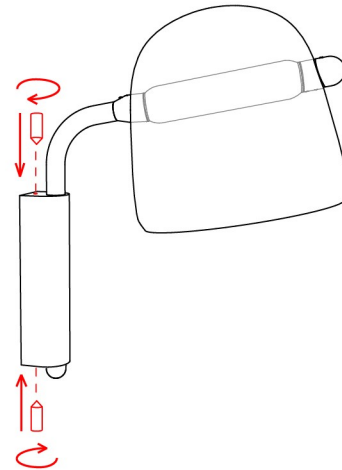
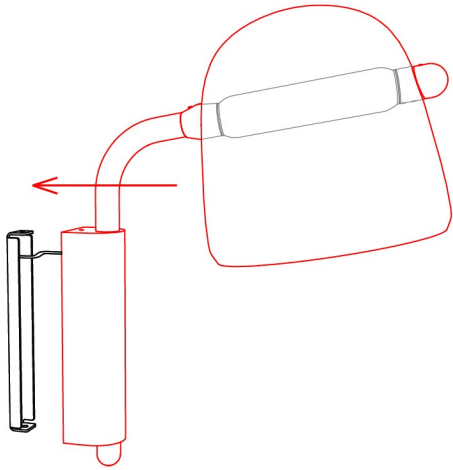
## 2. CONNECTING THE LIGHT TO THE BUILDING WIRING

Connect the light to the building wiring according to the diagram, taking care to ensure the various wires are neatly stowed in the terminal box.



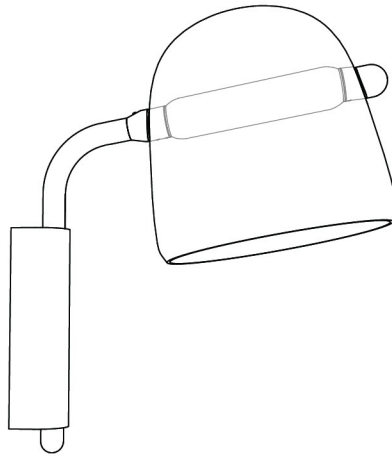
### 3. INSTALLING THE LIGHT

Secure the fixture to the wall bracket using the two set screws (M5×12) and the size 2.5 hex key. The set screws must be sunk beneath the surface of the light fixture.



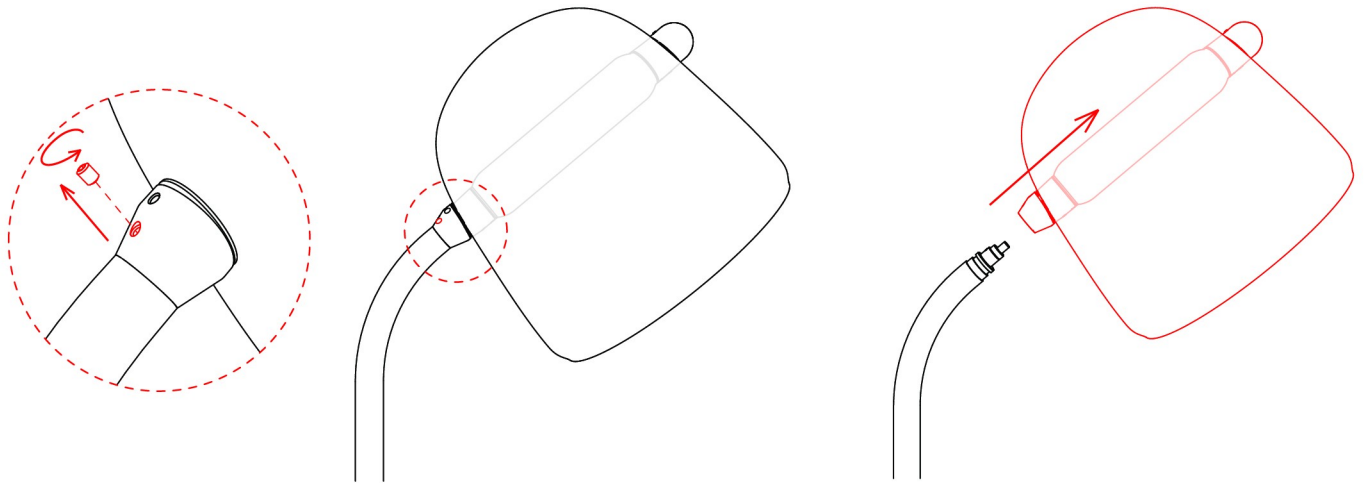
#### 4. SWITCHING ON THE LIGHT

Restore power at the main circuit panel and verify that the light works properly.



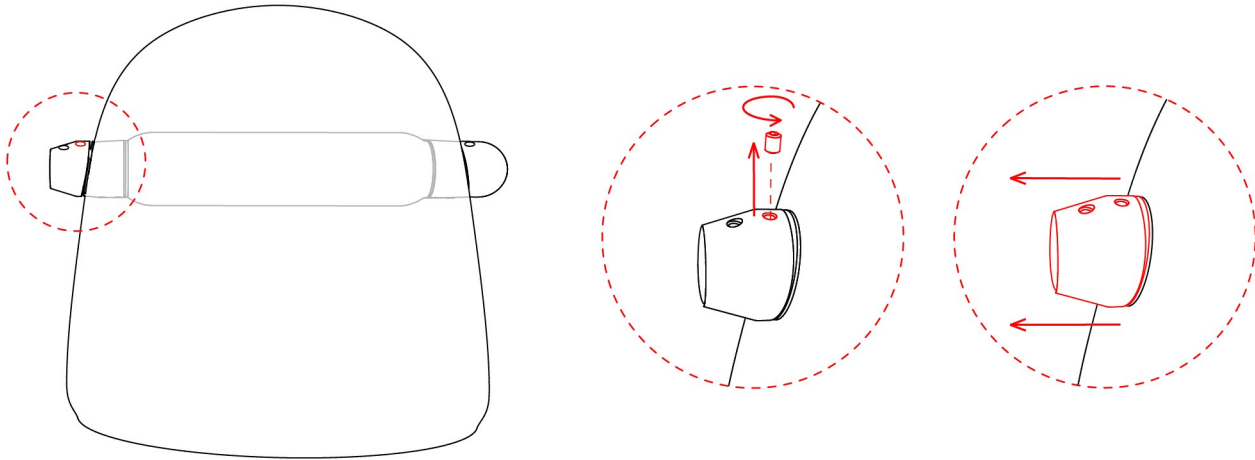
## 5. DISASSEMBLING THE SHADE/LIGHT SOURCE

Use the hex key to loosen the set screw in the metal fixture and remove the shade with light source.



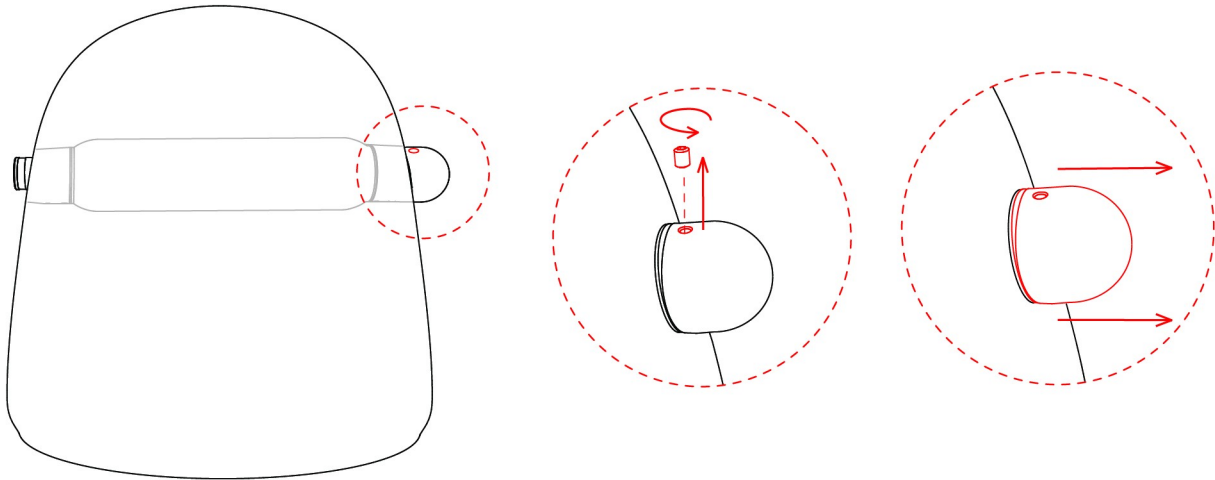
## 6. REMOVING THE OUTER CAP

Use the hex key to loosen the set screw in the outer cap of the light source and remove the cap.



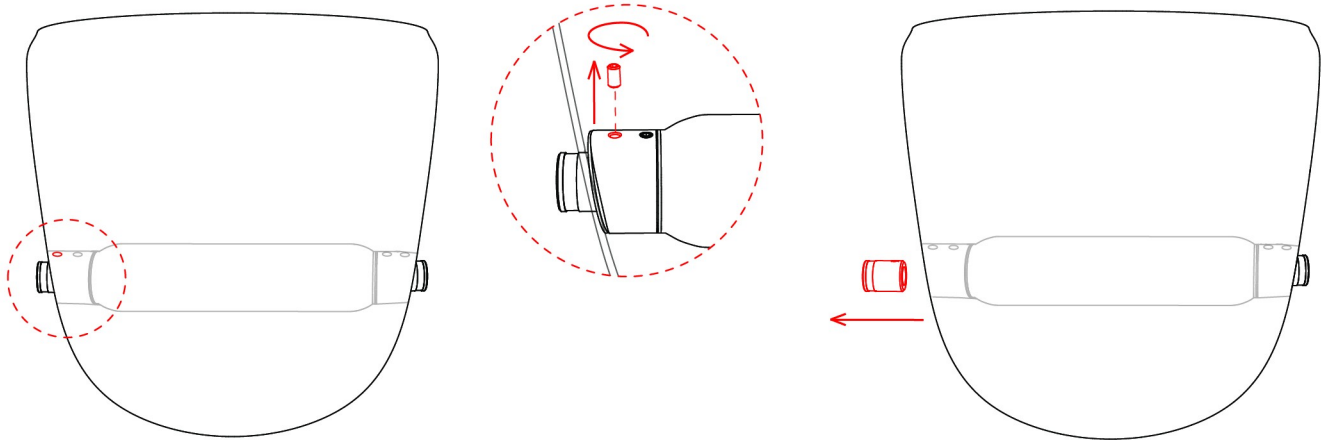
## 7. REMOVING THE OUTER CAP

Use the hex key to loosen the set screw in the other outer cap of the light source and remove the cap.



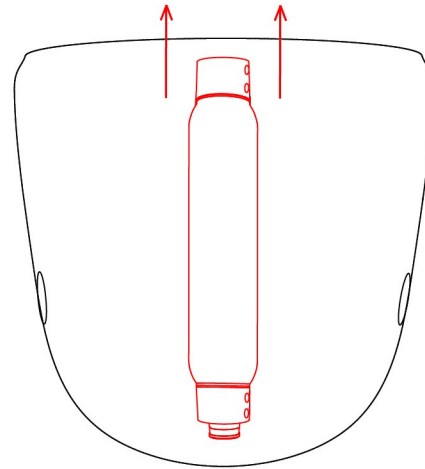
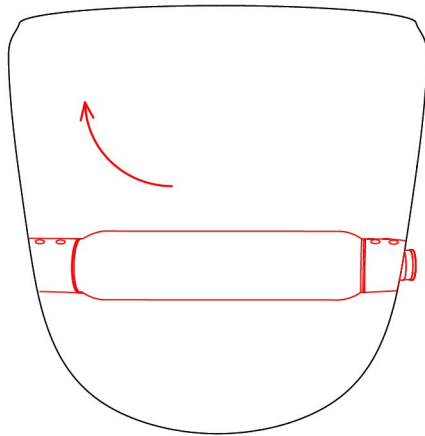
## 8. REMOVING THE LIGHT SOURCE LOCKING CYLINDER

Use the hex key to loosen the set screw in the inner cap of the light source. Next, remove the locking cylinder by pulling it out of the shade while holding the light source in place.



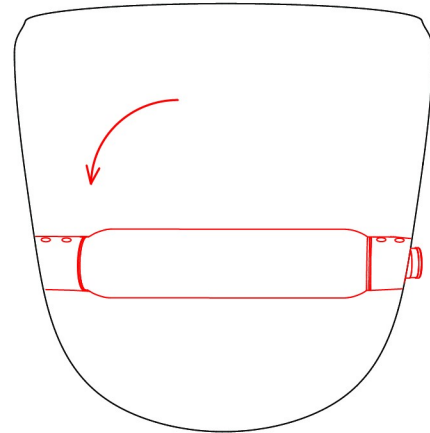
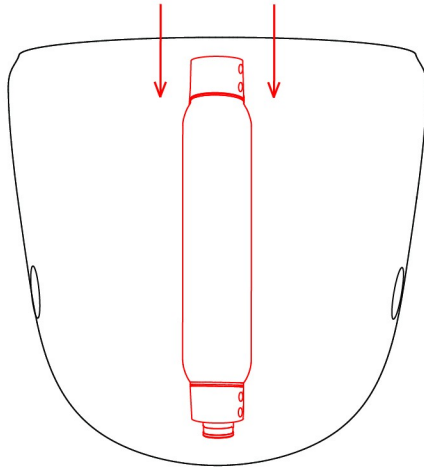
## 9. REMOVING THE LIGHT SOURCE

Remove the light source from the glass shade.



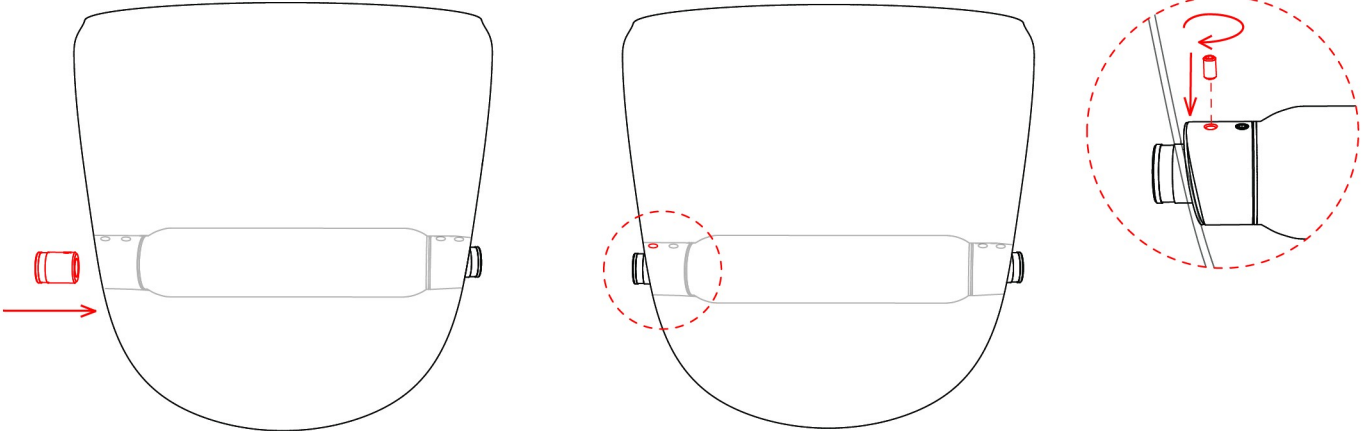
## 10. INSTALLING THE LIGHT SOURCE

Position the light source in the glass shade so that it fits neatly in the holes. If the light source is loose in the holes, add another seal, position it in the holes again, and check for a snug fit.



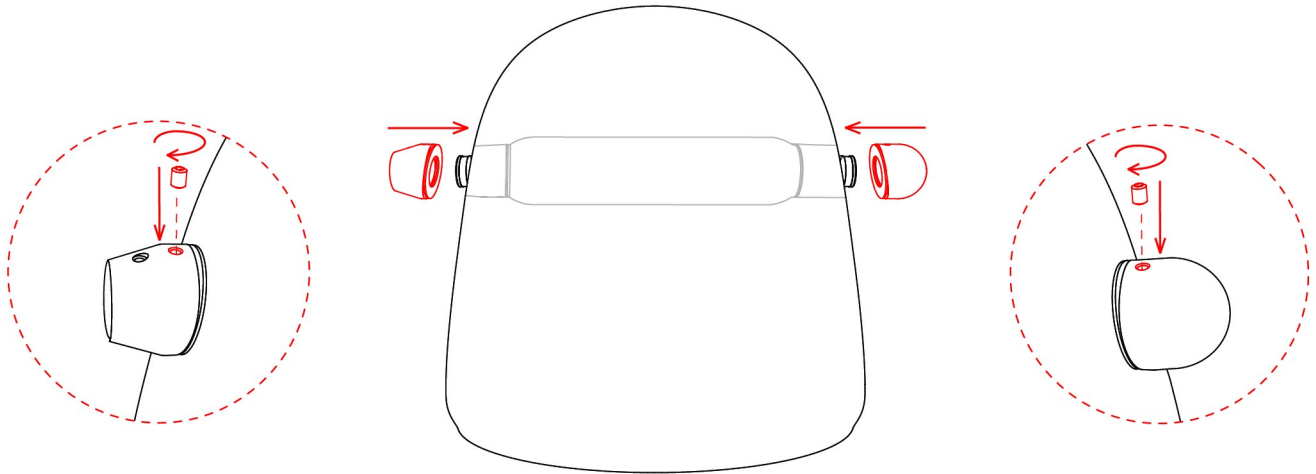
### 11. INSTALLING THE LOCKING CYLINDER

Insert the aluminium locking cylinder through the hole in the glass and into the light source until the dimple in the cylinder is aligned with the set screw in the inner cap.



## 12. INSTALLING THE OUTER CAPS

Press the outer caps over the locking cylinders until flush against the glass. The rounded cap goes on the end of the light source without the connector. The open cap goes on the end with the connector. Tighten the set screws while gently pressing the caps against the glass.



### 13. INSTALLING THE SHADE

Position the shade with light source on the metal fixture and secure in place with the set screw.

