



## Description

The Memory collection awakens the imagination and beckons back to a carefree childhood. The wall and ceiling versions in different sizes, the wide range of color options, and a selection of finishes give this lighting experience a large degree of versatility.

## Tech. description

The light consists of a metal ceiling mount with E27 light source socket and a glass shade with bayonet system. The E27 socket has an integrated switch for manual control.

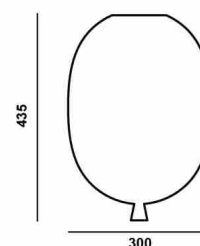


Available colour options: <https://mbapi.cz/red/pis/eu/en/pc1333>

## CONSTRUCTION SPECIFICATION

Weight:	2.5 kg
Construction material:	glass, metal
Cord length [mm]:	-
Mounting:	Ceiling
Environment:	Indoor

## DIMENSIONS [mm]



## ELECTRICAL SPECIFICATION

Input voltage [V]:	230 V
Frequency [Hz]:	50-60 Hz
Max. power [W]:	60 W
Coverage IP:	20
Socket:	E27
Light source:	-
Energy class:	A+ to E depending on light source

## CERTIFICATIONS



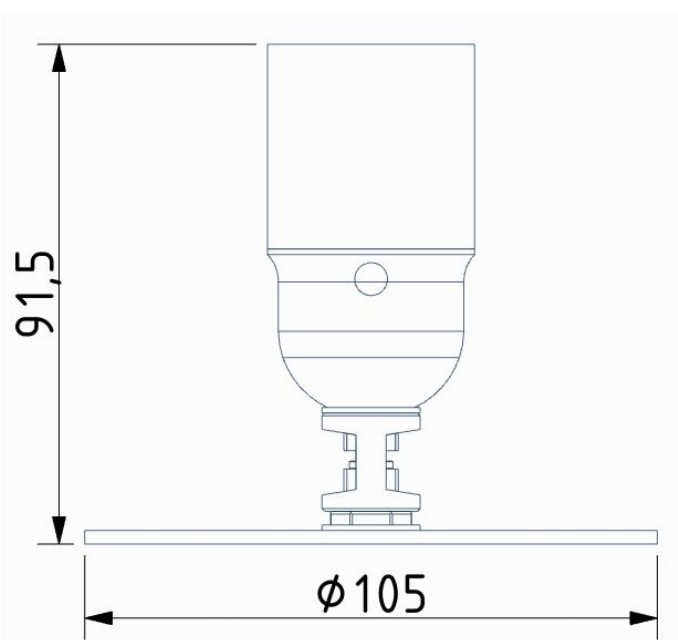


### INNER FIXTURE

Dimensions O x w [mm] 105 x 91.5 mm  
Weight [kg] 0.2 kg  
Material metal



### Drawing



### Hole placement

