

A—N—D

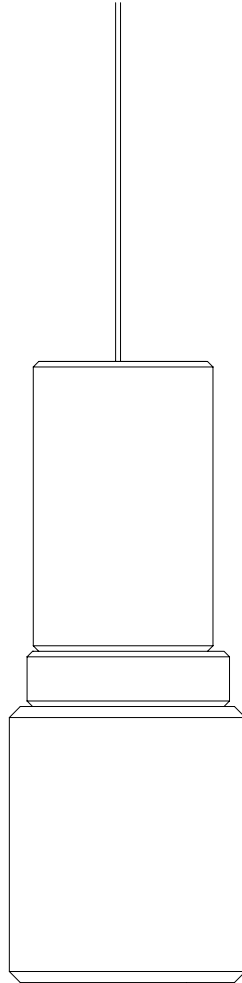
LOBE SERIES PENDANT

DESIGNER
LUKAS PEET

INSTRUCTIONS



SCAN HERE



WORLD MARKET



A-N-D.COM

INSTALLATION NOTES

The luminaire is powered by a 350mA. A constant current LED driver is required to operate the luminaire. The LED driver varies depending on input voltage and dimming requirements.

For questions regarding installation, please email info@n-d.com



CARE INSTRUCTIONS

Always wear clean gloves when handling the luminaire. Clean painted surfaces with a soft, lint-free cloth. Clean acrylic diffuser with a soft lint-free cloth or an unscented magic eraser pad.

For replacement parts, contact A-N-D directly.



WARNING

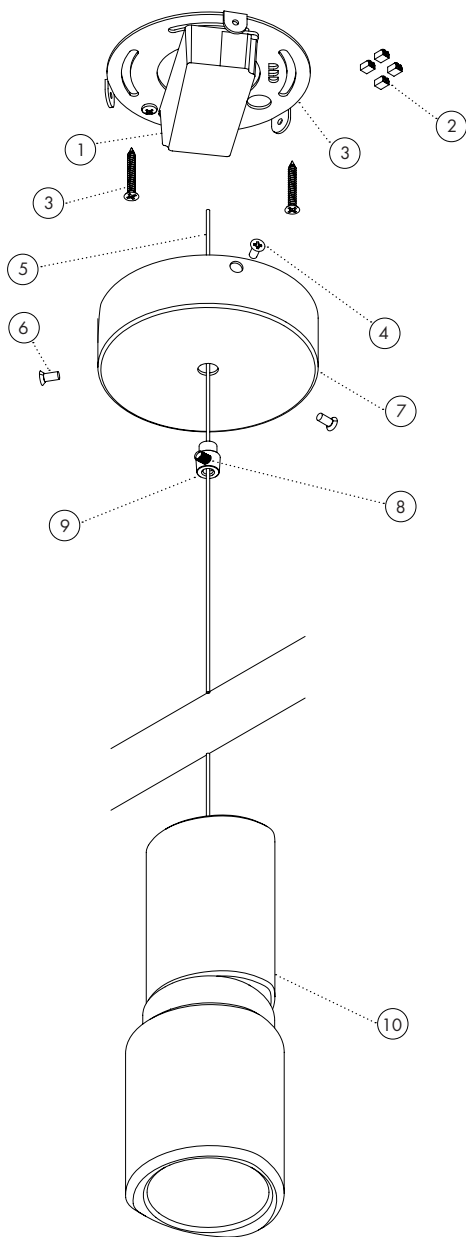
The luminaire must be installed by a qualified electrician in a dry indoor location.

Failure to meet any or all of these criteria will not only damage the luminaire, but will void both the warranty and all of its certifications.

COMPONENTS



- ① DRIVER
- ② TERMINAL (4)
- ③ BACKPLATE
- ④ #8 SCREW (2)
- ⑤ COAXIAL CABLE
- ⑥ CANOPY SCREW (3)
- ⑦ CANOPY
- ⑧ PLASTIC SET SCREW
- ⑨ STRAIN RELIEF
- ⑩ LUMINARE BODY





This is a universal dimming power supply.
It can be controlled either via 0-10 dimming **OR**
Phase Cut on primary.

ESS015 SERIES - ERP

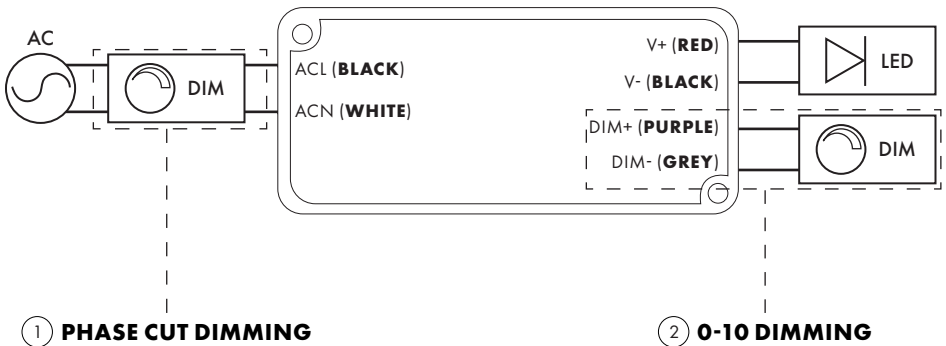
INPUT: 120-277VAC

OUTPUT: 300mA, 12.6W

L x W x H: 85 x 31 x 31

DIMMING OPTIONS

- ① PHASE CUT (PC)
- ② 0-10



① PHASE CUT DIMMING

② 0-10 DIMMING

PREPARATION

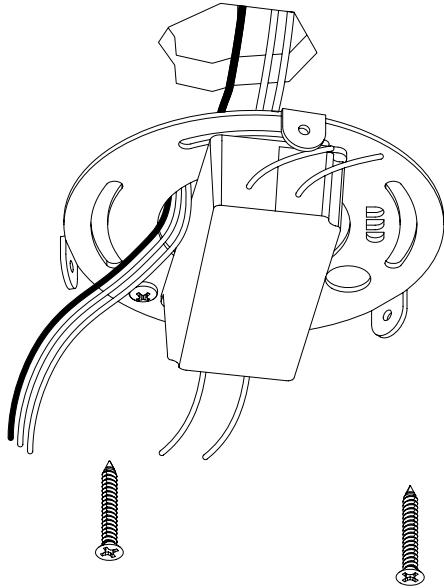
STEP 1

Attach the backplate to the ceiling.

Use the provided #8 screws.
Anchors - if required are to be provided by installer.

⚠ Caution!

Ensure that the power is disconnected at the breaker.



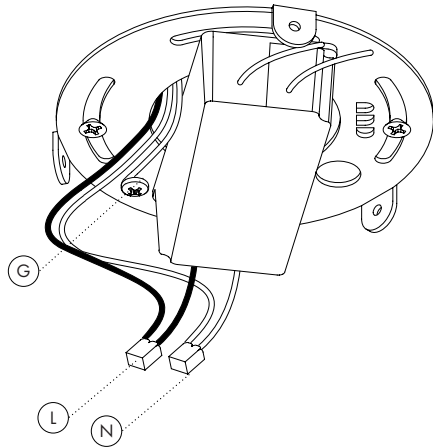
STEP 2

Connect input power to the primary circuit on the LED driver. Connect the ground.

Black/brown wire = **Line** (L)

White/blue wire = **Neutral** (N)

Green screw = **Ground** (G)



INSTALLATION

STEP 3

i) Determine the drop height of the fixture and trim excess cable.

Coaxial cable length:

Leave an extra 15cm/ 6" for final height adjustments.

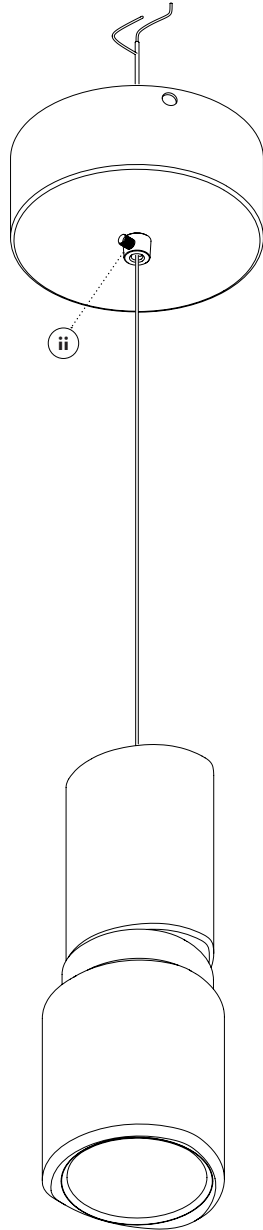
ii) Secure the coaxial cable cord in position.

Turn the screw on the strain relief until it grips the coaxial cable.

EXTRA
15cm
6"

i
DROP
HEIGHT
244cm
96"

22.5cm
8.85"

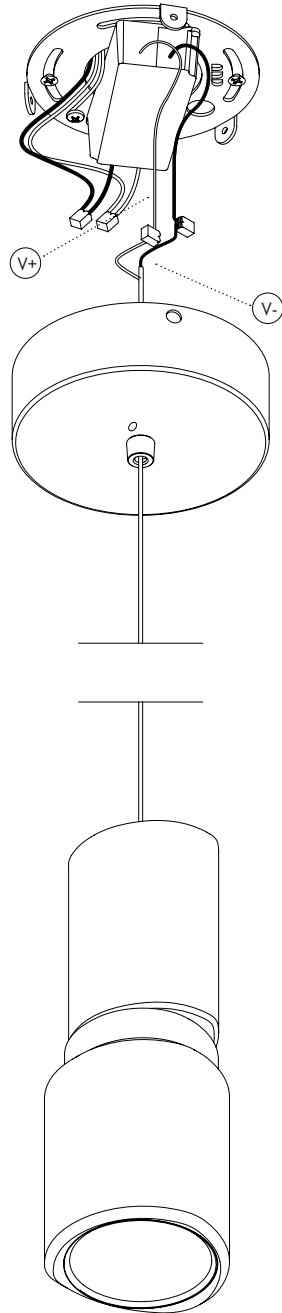
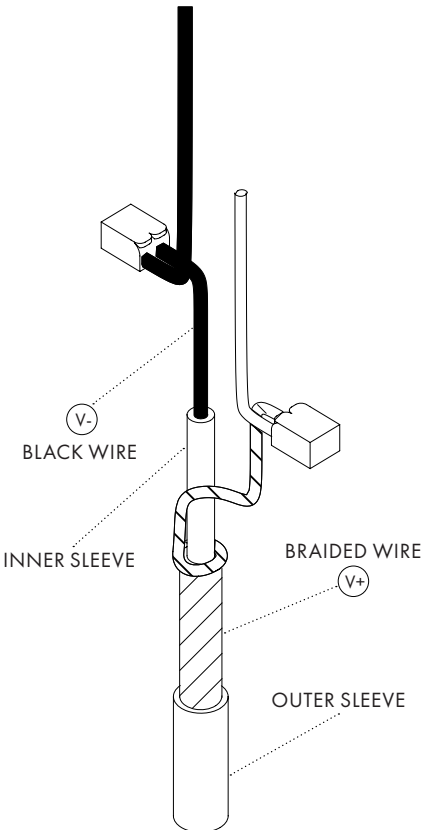


STEP 4

Connect the luminaire to the secondary circuit on the LED driver with provided connectors.

Braided wire = **Positive** (V+)

Black wire = **Negative** (V-)

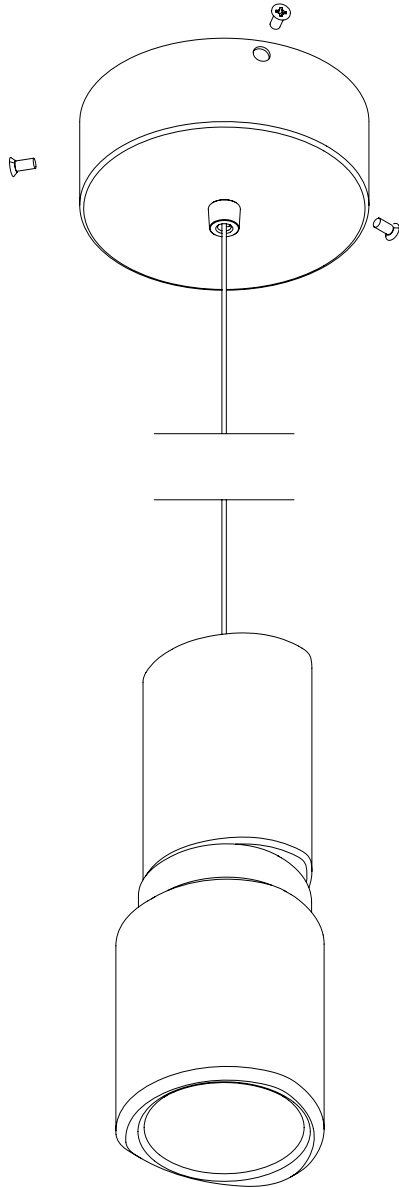


INSTALLATION

STEP 5

Attach the canopy to the backplate.

Use the provided colour matched canopy screws.

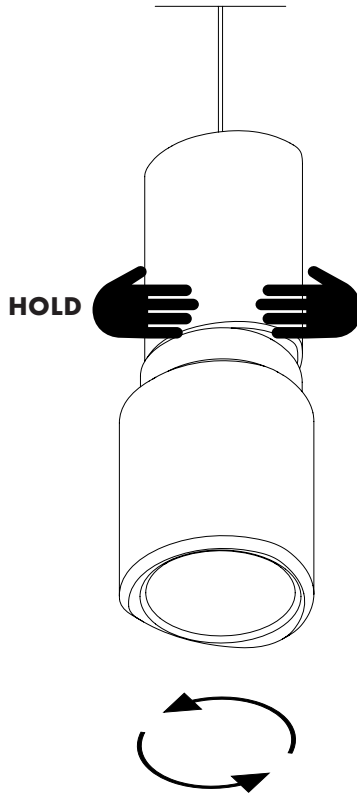
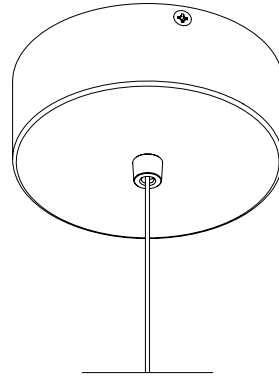
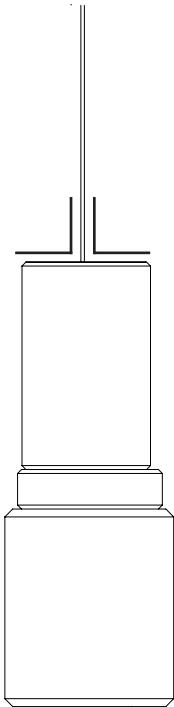


STEP 6

If necessary, adjust the fixture.

Due to its asymmetrical nature, Lobe Pendant might hang unbalanced.

Hold the top part part and turn anti-clockwise the lower part until balance is achieved.



A—N—D

For support, please contact:

info@a-n-d.com

+1 604 563 6938



1951 Franklin St,
Vancouver, BC
Canada V5L 0C7

A-N-D.COM