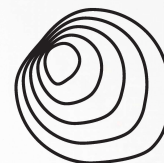




CM12165



BROKIS®

IVY WALL

PC1218, PC1219, PC1220, PC1221, PC1222, PC1223



Download

COMPONENTS INCLUDED WITH UNIT:

1× IVY light
2-8× glass shade (per PC)
2-8× LED source (per PC)
1× hex key size 2.5
1× pair cotton gloves
1× installation manual

WARNING:

Installation must be carried out by a qualified electrician only!

Switch off power at main circuit panel prior to installation!

The manufacturer assumes no liability for damage occurring in transport or resulting from incorrect installation.

Installation time: 1 hour / 2 persons



BROKIS®

BROKIS S.R.O.
ŠPANILOVA 1315/25
163 00 PRAHA 6 - ŘEPY
CZECH REPUBLIC

ORG. ID 64940799
VAT ID CZ64940799
C 42174 MĚSTSKÝ SOUD
V PRAZE

TEL +420 567 211 517
TECHNICAL@BROKIS.CZ
INFO@BROKIS.CZ
WWW.BROKIS.CZ



CLEANING THE GLASS

BROKIS upholds only the highest possible quality standards. Prior to shipping, the light undergoes several quality controls and stages of cleaning. Because transportation, storage, and the amount of time that passes between packing at our plant and subsequent unpacking by the client can affect the light in different ways, we strongly recommend cleaning it prior to assembly.

The glass must first be rinsed in warm water, and a dish detergent may be used to remove all foreign particles, dust, and grease. Repeat the process if necessary and then dry the glass thoroughly with a paper towel.

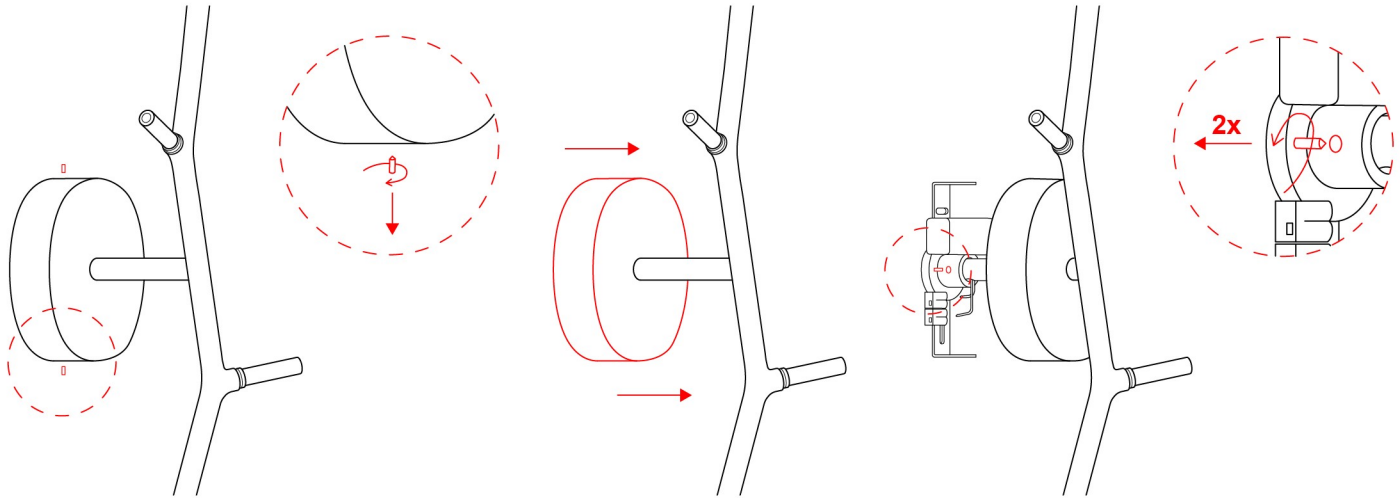
Recommendation: Do not use mineral spirits, highly concentrated thinners, or other substances not intended for use on glass surfaces. Do not use any cleaning agents containing silicone, as they may leave a film and attract dust and smudges.

PRIOR TO SHIPPING, THE FUNCTIONALITY OF EACH LIGHT AND ITS COMPONENTS IS CHECKED THOROUGHLY. THE MANUFACTURER ASSUMES NO LIABILITY FOR THE MISHANDLING OF PRODUCTS.



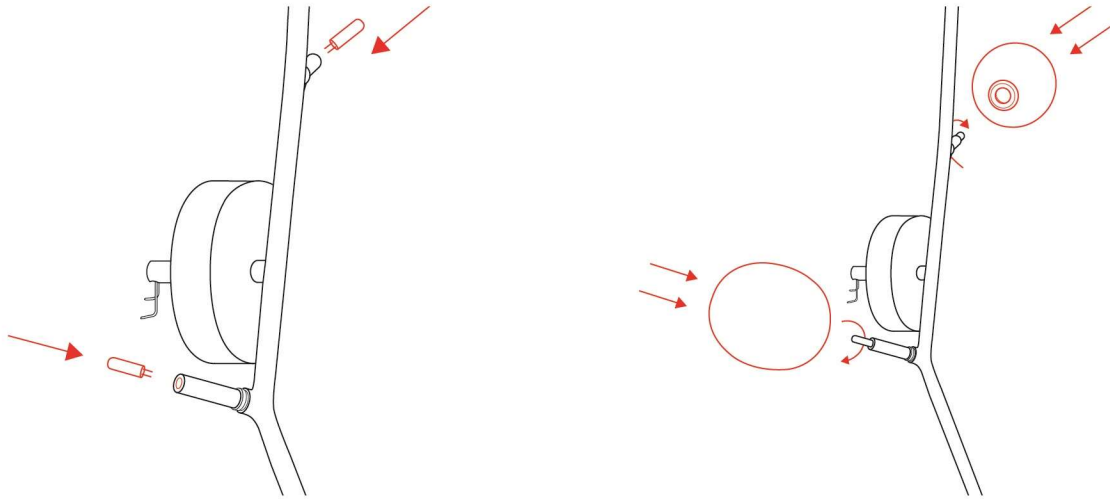
1. DISASSEMBLING THE WALL CANOPY AND BRACKET

Using the supplied 2.5 hex key, remove the set screws from the wall canopy and lower the canopy. Disconnect the ground wire from the bracket. Now remove the two set screws in the bracket and carefully lower the fixture with wall canopy.



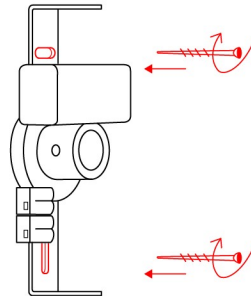
2. INSTALLING THE LIGHT SOURCES AND GLASS SHADES

Insert the supplied LED sources in the sockets and screw the glass shades on the metal fixture.



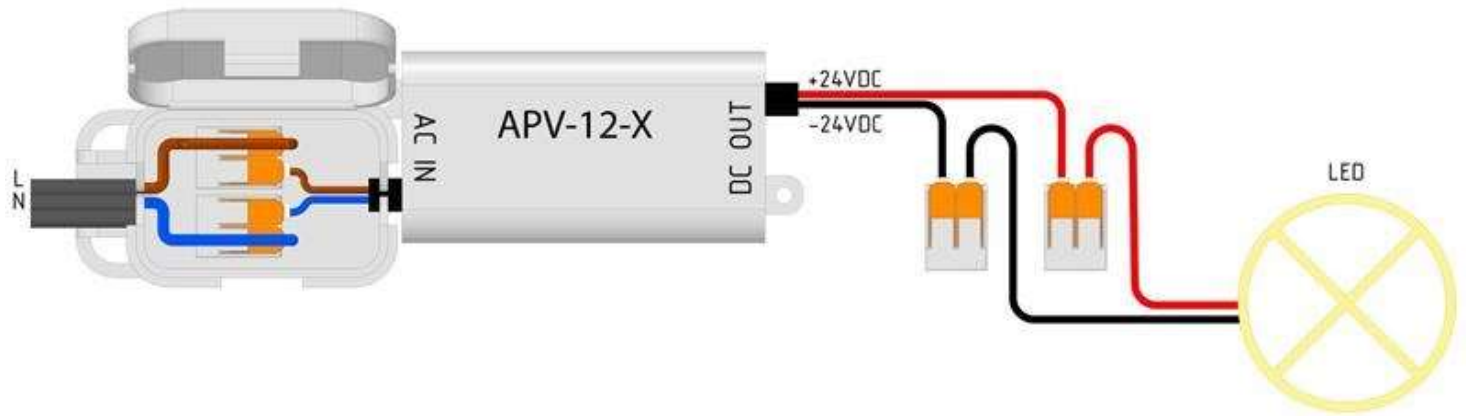
3. INSTALLING THE WALL BRACKET

Using anchors of sufficient strength (not included), attach the bracket to the wall. With regard to various types of walls, we recommend consulting installation with an expert. The manufacturer assumes no liability for incorrect installation, the use of improper anchors, or defects in the material to which this load-bearing component is secured.



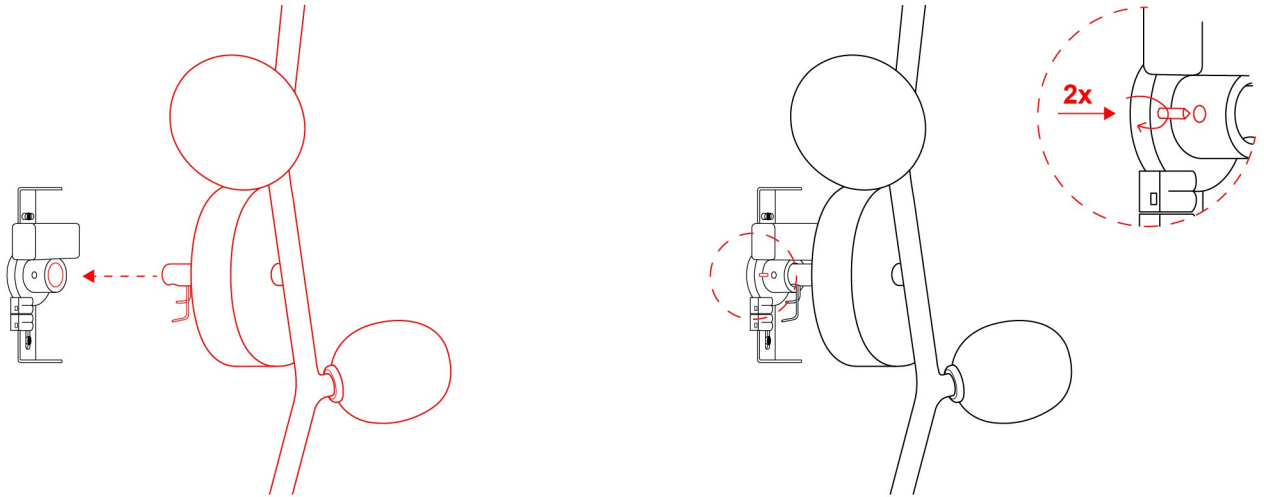
4. ELECTRICAL CONNECTION

Complete the electrical connection according to the diagram.



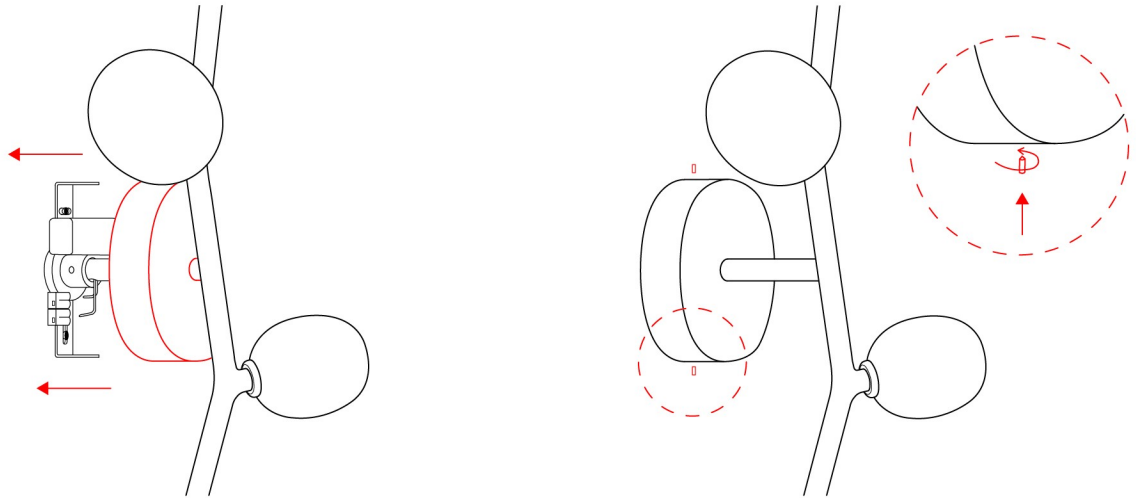
5. MOUNTING THE FIXTURE ON THE WALL BRACKET

Insert the fixture with canopy into the wall bracket and secure in place with two set screws using the 2.5 hex key.



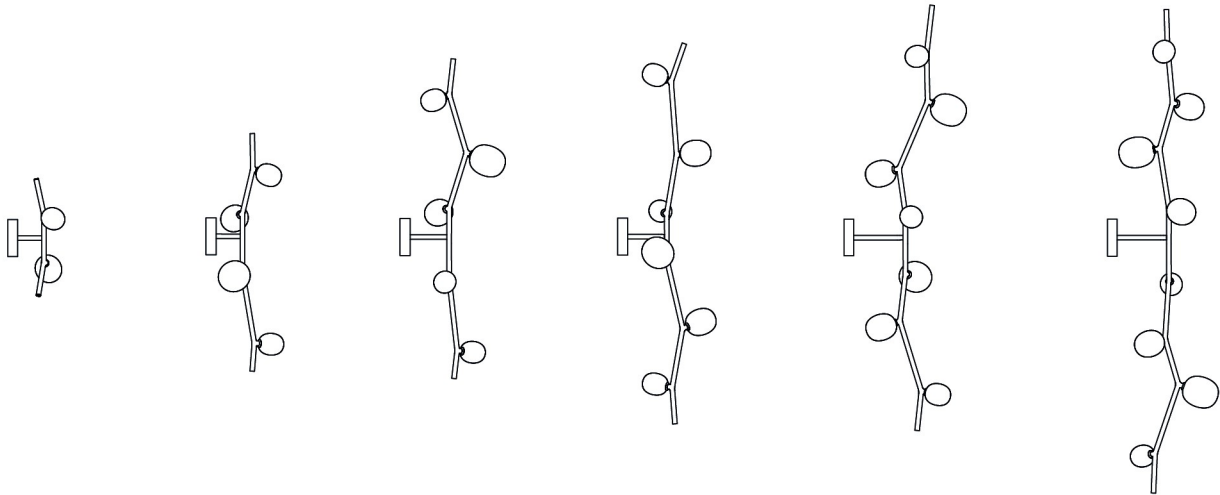
6. INSTALLING THE WALL CANOPY

Using the two set screws and size 2.5 hex key, attach the wall canopy to the bracket.



7. SWITCHING ON THE LIGHT

Restore power at the main circuit panel and verify that the light works properly.



8. DIMMING THE LIGHT

The light can be switched on and off as well as dimmed by touching the metal fixture.

