

BROKIS®

IVY VERTICAL

CM12153

IVY VERTICAL 5 - PC1061



Download

COMPONENTS INCLUDED WITH UNIT:

- 1 ceiling canopy with electronics
- 2 set screws M5x20
- 1 IVY light body
- 1 power cable
- 5 LED light sources
- 5 glass shades
- 1 hex key size 1.5
- 1 hex key size 2.5
- 1 pair cotton gloves
- 1 installation manual

WARNING:

Installation must be carried out by a qualified electrician only. Switch off power at main circuit panel prior to installation! The manufacturer assumes no liability for damage occurring in transport or resulting from incorrect installation.

Installation time: 45 min/ 1 persons



BROKIS®

BROKIS S.R.O.
ŠPANILOVA 1315/25
163 00 PRAHA 6 - ŘEPY
CZECH REPUBLIC

ORG. ID 64940799
VAT ID CZ64940799
C 42174 MĚSTSKÝ SOUD
V PRAZE

TEL +420 567 211 517
TECHNICAL@BROKIS.CZ
INFO@BROKIS.CZ
WWW.BROKIS.CZ



CLEANING THE GLASS (2 persons)

BROKIS applies the highest possible quality standards in manufacturing its lights. Prior to shipping, each light undergoes several quality controls and stages of cleaning. Lights may require additional cleaning as a result of transportation, storage, and the amount of time that passes between packing in our plant and subsequent unpacking by the client. Therefore, we emphasize cleaning the lights prior to installation.

The glass must first be rinsed in hot water, with a dilution of a dish-detergent used to remove all foreign particles and dust. Eventually repeat this basic treatment, if necessary. Afterwards the glass must have a second cleaning using hot water, with a dilution of a de-greaser (such as ammonia or vinegar). The glass must then be thoroughly rinsed with running hot water. Eventually repeat this treatment, if necessary. The glass is then thoroughly dried with a paper towel or a clean soft cotton towel. Only re-assemble the glass to the lamp body, when completely cooled down.

Do not use mineral spirits, highly concentrated thinners, or other substances not intended for use on glass surfaces. Also: do not use products, containing silicones – since they will rapidly attract more dust and grease.

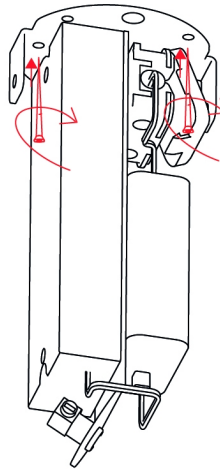
PRIOR TO SHIPPING, THE FUNCTIONALITY OF EACH LIGHT AND ITS COMPONENTS IS THOROUGHLY TESTED. THE MANUFACTURER ASSUMES NO LIABILITY FOR THE MISHANDLING OF PRODUCTS.



1. INSTALLING THE CEILING CANOPY BRACKET

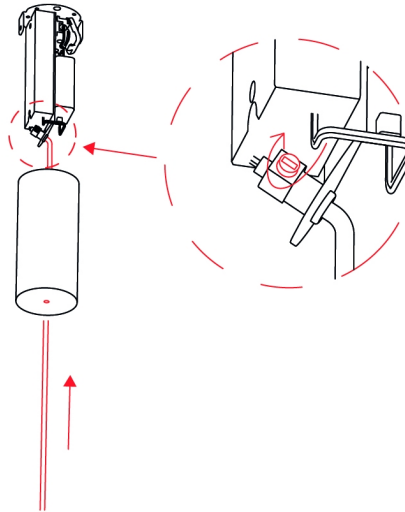
Use anchors of sufficient strength (not included). With regard to various types of ceilings, we recommend consulting installation with an expert. The manufacturer assumes no liability for incorrect installation, the use of improper anchors, or defects in the material to which the bracket is secured.

Secure the bracket to the ceiling.



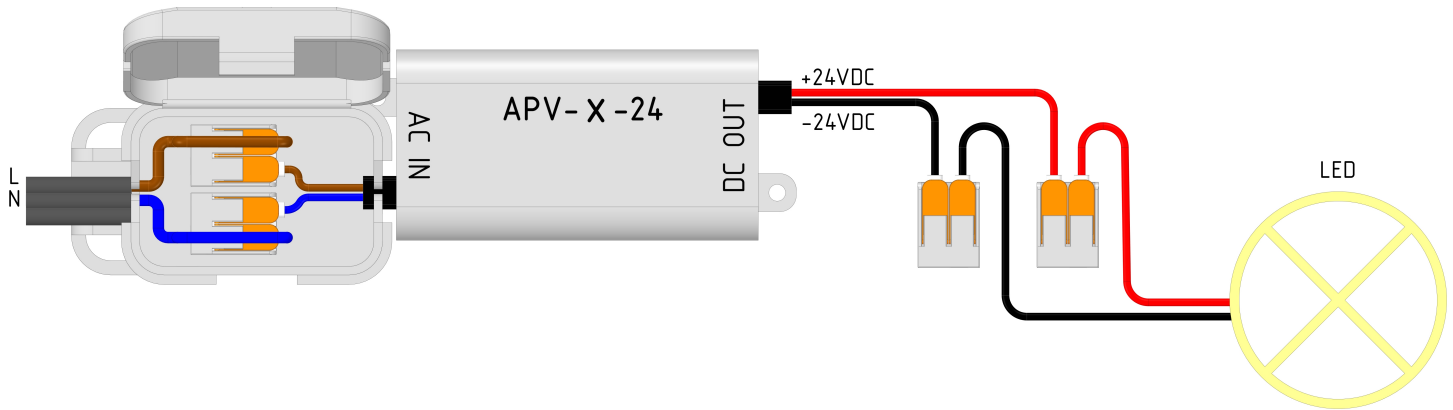
2. INSTALLING THE POWER CABLE

Pass the power cable through the glass ceiling canopy, the grommet, and the plastic cable stop in the bracket. Next, tighten the set screw in the plastic cable stop using at least 1–1.5 Nm of force.



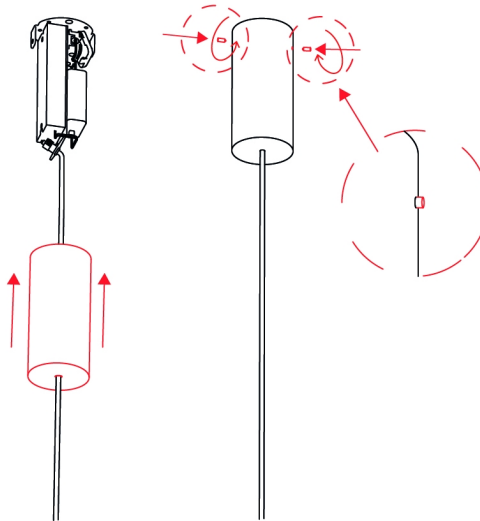
3. CONNECTING THE LIGHT TO THE BUILDING WIRING

Connect the light to the building wiring according to the connection diagram. Care must be taken to ensure the individual wires are stowed in the terminal box.



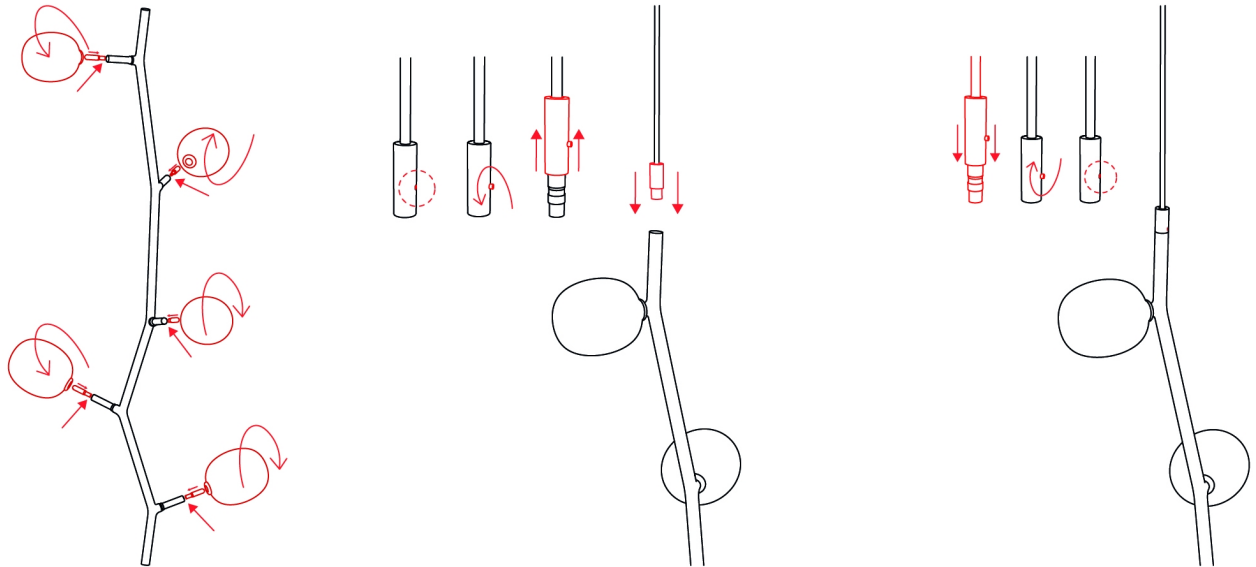
4. INSTALLING THE CEILING CANOPY

Position the ceiling canopy on the bracket and secure by tightening the set screws (M5x25) with the hex key size 2.5. Do not tighten the screws completely – they should extend from the ceiling canopy by at least 5 mm.



5. INSTALLING THE LIGHT

Insert the LED light source into the body of the light. Next, screw the glass shade onto the body of the light. Loosen the set screw in the power cable connector using the hex key size 1.5. Insert the power cable into the connector on the IVY light body and then secure the sleeve by retightening the set screw.



6. SWITCHING ON THE LIGHT

Restore power at the main circuit panel and verify that the light works properly.

