

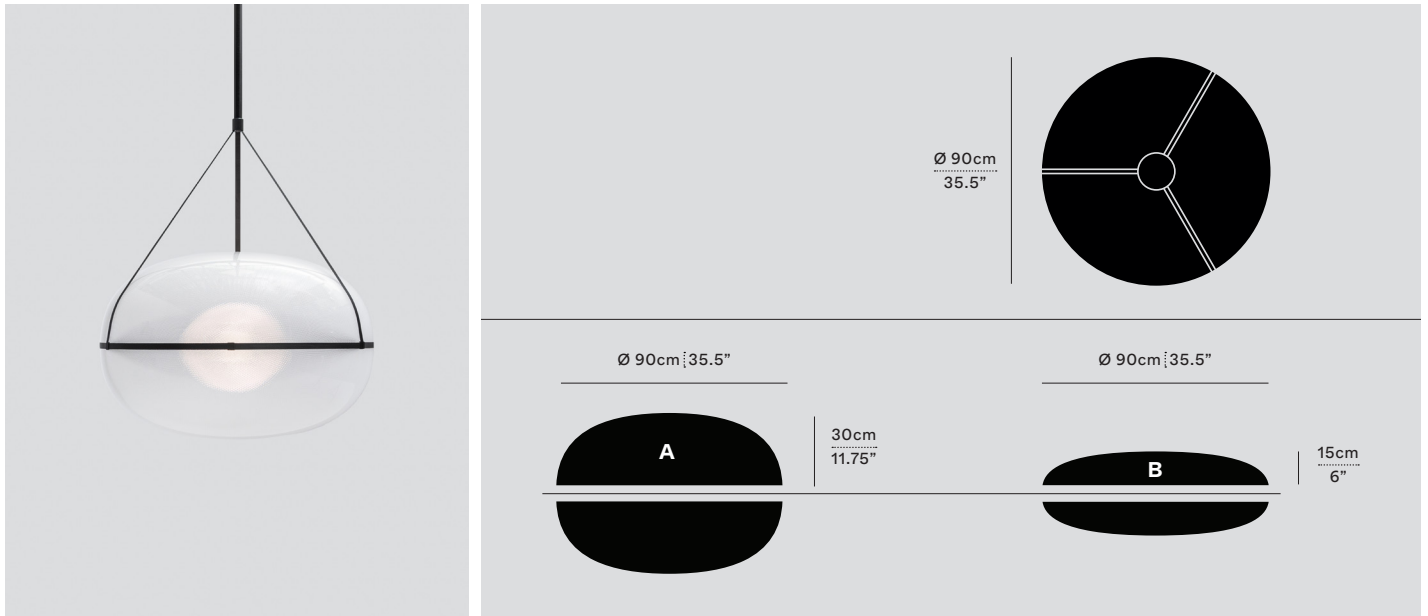
# IRIS 90 — P

PENDANT

A—N—D

Designed by Caine Heintzman

2022



IRI-90-P-A-A-BLK-27-ELV-120

A-N-D.COM

## TYPE

Pendant

## DIMENSIONS

### Combination Dependant

**A:** Ø 90cm x 30cm / Ø 35.5" x 11.75"

**B:** Ø 90cm x 15cm / Ø 35.5" x 6"

### Adjustable drop length

300cm / 118" – Custom length available

### Weight

6kg / 13lbs

## 3D MODELS

REVIT, IES, DWG, 3DS, Rhino, Sketchup

## CERTIFICATIONS



Application: dry indoor location only

## MATERIALS

Aluminum, Acrylic, Suspension

## TECHNICAL INFORMATION

### Input Voltage

110–120V, 220–240V, 110–277V

### Lamping

Static CCT: 34W 35V DC LED

DW CCT: 20W 35V DC LED

CRI 90+, 50,000 hours

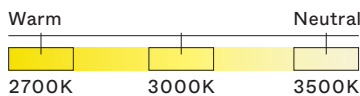
### Lumens

2632 lumens delivered

### Controls

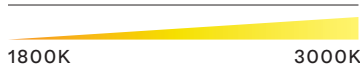
Phase dimming, 0–10V, DALI

## COLOUR TEMPERATURE OPTIONS



## DIM TO WARM

Warm / DIM - Bright / DIM +



## MANUFACTURED

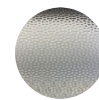
Canada

## FINISHES



Black (BLK) Silver (SLV)

## LENS FINISH



Clear (CLR)



SERIES	SIZE	TYPE	DOWN	UP	FINISH	CCT	PS	VOLTAGE IN
IRI	90	P	<input type="checkbox"/> A	<input type="checkbox"/> A	<input type="checkbox"/> BLK (BLACK)	<input type="checkbox"/> 27 (2700K)	<input type="checkbox"/> ELV	<input type="checkbox"/> 120
			<input type="checkbox"/> B	<input type="checkbox"/> B	<input type="checkbox"/> SLV (SILVER)	<input type="checkbox"/> 30 (3000K)	<input type="checkbox"/> 010	<input type="checkbox"/> 230
						<input type="checkbox"/> 35 (3500K)	<input type="checkbox"/> DAL	<input type="checkbox"/> 277*
					<input type="checkbox"/> DW (DIM TO WARM)			

\*277 only available with 010

# IRIS 90 — P

PENDANT

# A—N—D

