

A—N—D

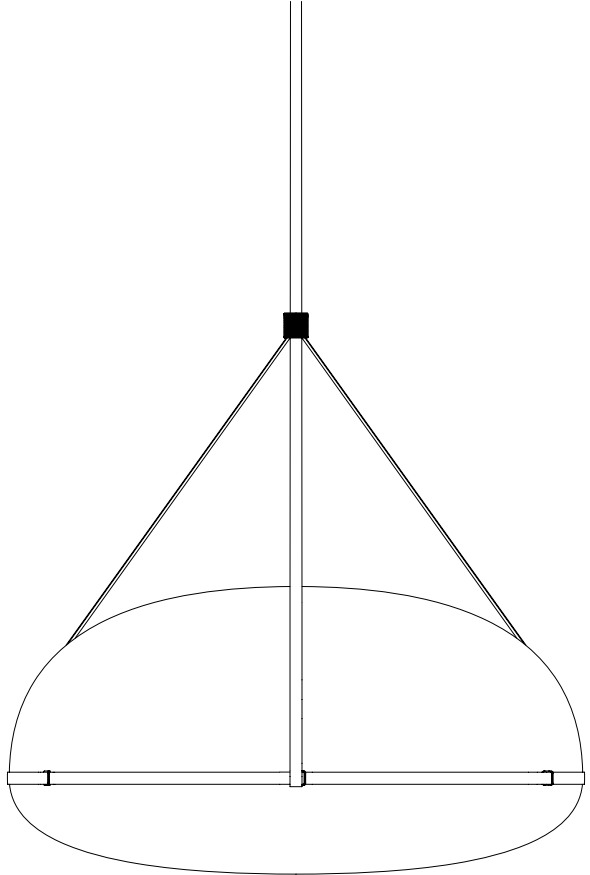
# IRIS SERIES PENDANT

DESIGNER  
CAINE HEINTZMAN

INSTRUCTIONS



SCAN HERE



WORLD MARKET



A-N-D.COM

# INSTALLATION NOTES

---

A low voltage Class 2 constant current LED driver is required to operate the luminaire. The LED driver varies, depending on input voltage and dimming requirements.

It is recommended that three people install the Iris Pendant; one to gently support the luminaire while the other makes the electrical and mechanical connections to the ceiling.

For questions regarding installation, please email [info@n-d.com](mailto:info@n-d.com)



## CARE INSTRUCTIONS

Always wear clean gloves when handling the luminaire. Clean finished surfaces with a soft, lint-free cloth. Clean acrylic diffuser with a soft lint-free cloth and a diluted solution of dish soap in warm water.

For replacement parts contact A-N-D directly.



## WARNING

The luminaire must be installed by a qualified electrician in a dry indoor location.

Failure to meet any or all of these criteria will not only damage the luminaire, but will void both the warranty and all of its certifications.

# COMPONENTS



① BACKPLATE

② #8 SCREW (2)

③ LED DRIVER

④ TERMINAL (4)

⑤ BRACKET ASSEMBLY

⑥ BRACKET SCREW (2)

⑦ CANOPY

⑧ CANOPY SCREW

⑨ SLIDER

⑩ POWERED SUSPENSION WEBBING

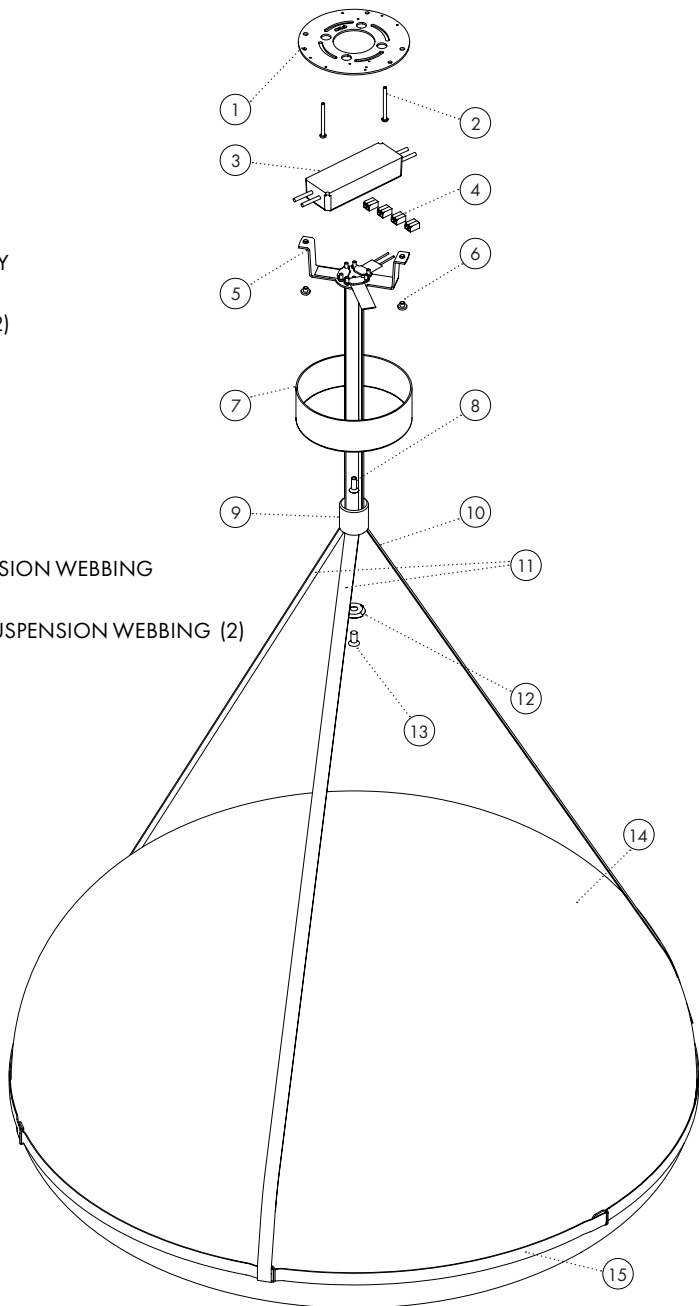
⑪ NON POWERED SUSPENSION WEBBING (2)

⑫ SLIDER WASHER

⑬ SLIDER SCREW

⑭ LIGHT ASSEMBLY

⑮ BELT CLOSURE



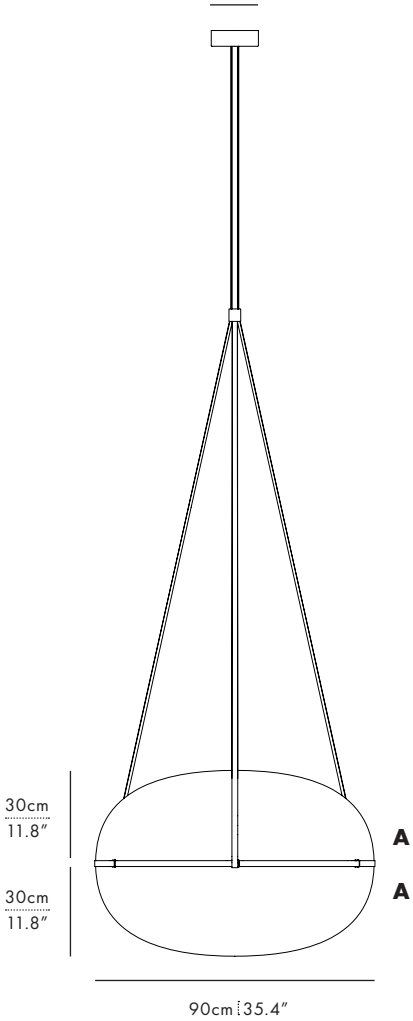
\* IRIS COMBO B/A  
MODEL SHOWN

# IRIS 90 OPTIONS

## COMBO A/A

19 lbs / 8.5 kg

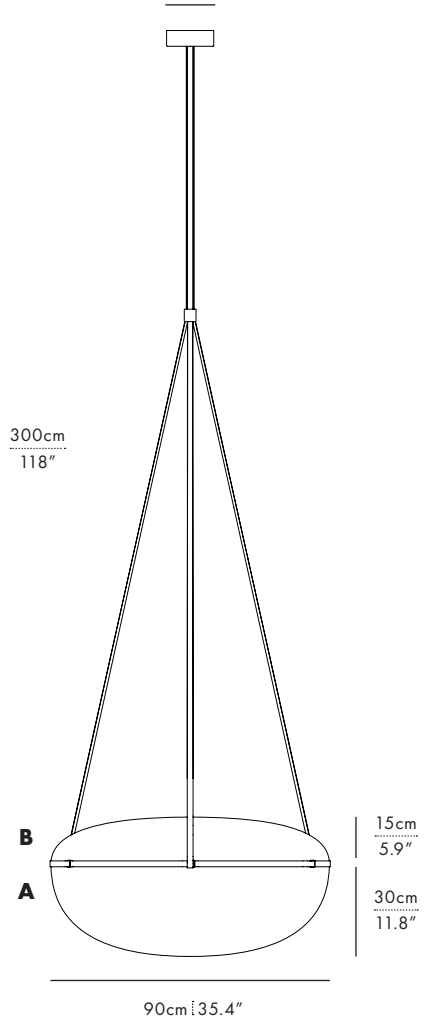
∅ 15cm  
6"



## COMBO A/B

19 lbs / 8.5 kg

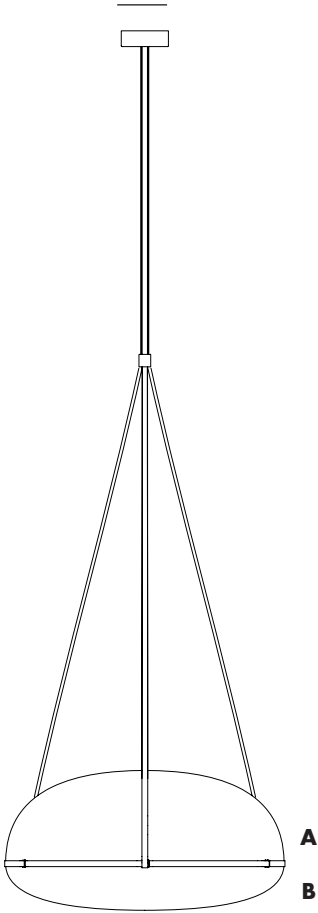
∅ 15cm  
6"



**COMBO B/A**

19 lbs / 8.5 kg

∅  $\frac{15\text{cm}}{6''}$



$\frac{30\text{cm}}{11.8''}$

$\frac{15\text{cm}}{5.9''}$

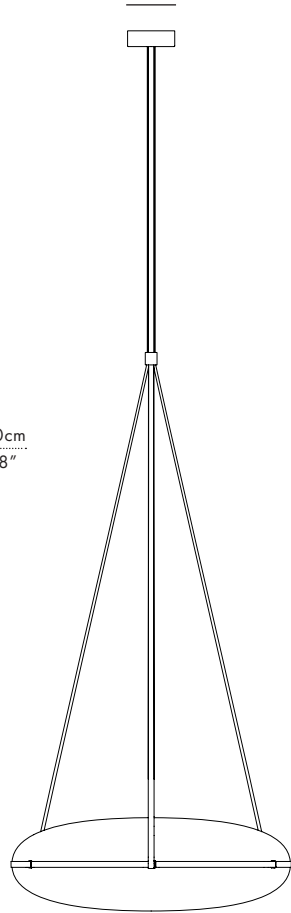
$\frac{90\text{cm}}{35.4''}$

**COMBO B/B**

19 lbs / 8.5 kg

∅  $\frac{15\text{cm}}{6''}$

$\frac{300\text{cm}}{118''}$



$\frac{15\text{cm}}{5.9''}$

$\frac{15\text{cm}}{5.9''}$

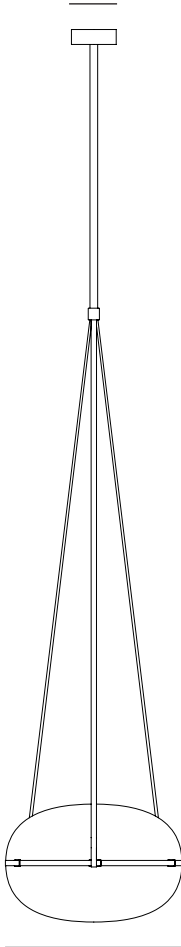
$\frac{90\text{cm}}{35.4''}$

# IRIS 60 OPTIONS

## COMBO A/A

10 lbs / 4.5 kg

∅  $\frac{15\text{cm}}{6''}$



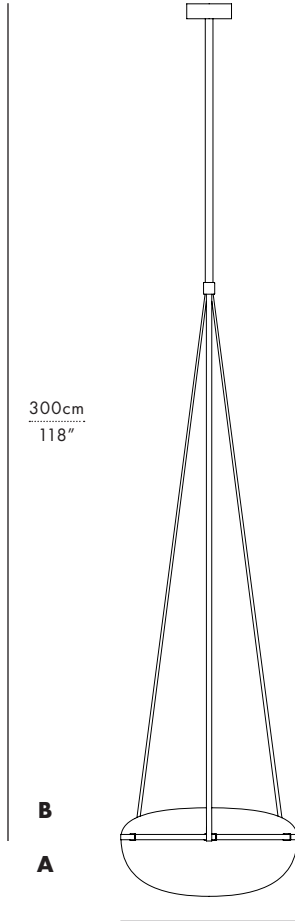
60cm | 23.6"

**A**  
**A**

## COMBO A/B

10 lbs / 4.5 kg

∅  $\frac{15\text{cm}}{6''}$



300cm  
118"

60cm | 23.6"

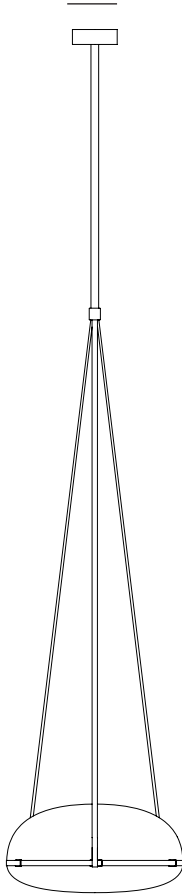
**B**  
**A**

10cm  
3.9"  
20cm  
7.9"

**COMBO B/A**

10lbs / 4.5 kg

∅  $\frac{15\text{cm}}{6''}$



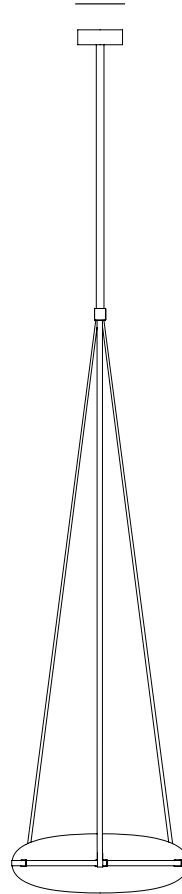
60cm | 23.6"

**A**  
**B**

**COMBO B/B**

10lbs / 4.5 kg

∅  $\frac{15\text{cm}}{6''}$



60cm | 23.6"

300cm  
118"

**B**  
**B**

10cm  
3.9"  
10cm  
3.9"

20cm  
7.9"  
10cm  
3.9"

## IRIS SLIDER POSITION

---

The Iris Pendant is characterized by its machined aluminum slider.

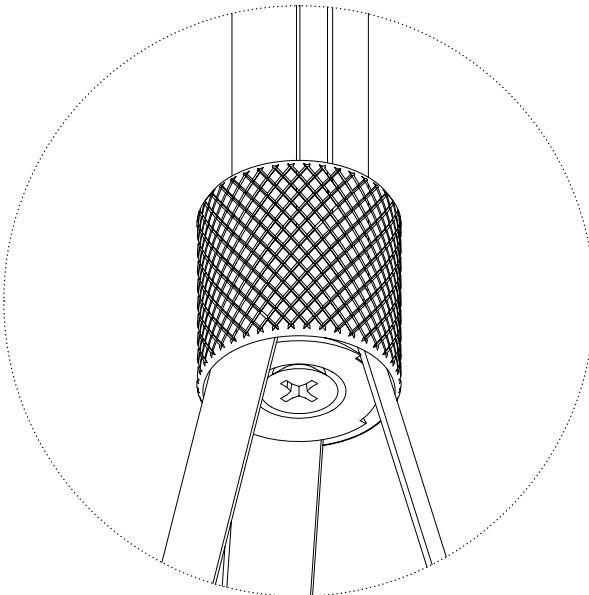
This component allows the customer to change the fixture's aesthetic by just sliding it on the suspension webbing.

Note that the slider position will affect the total drop height of Iris.



**Moving the slider from the highest position to the lowest position, while suspended at 300cm / 118" will reduce the total drop height by about 20cm / 7.9".**

**Refer to this page when ready to trim the excess suspension webbing at Step 11.**

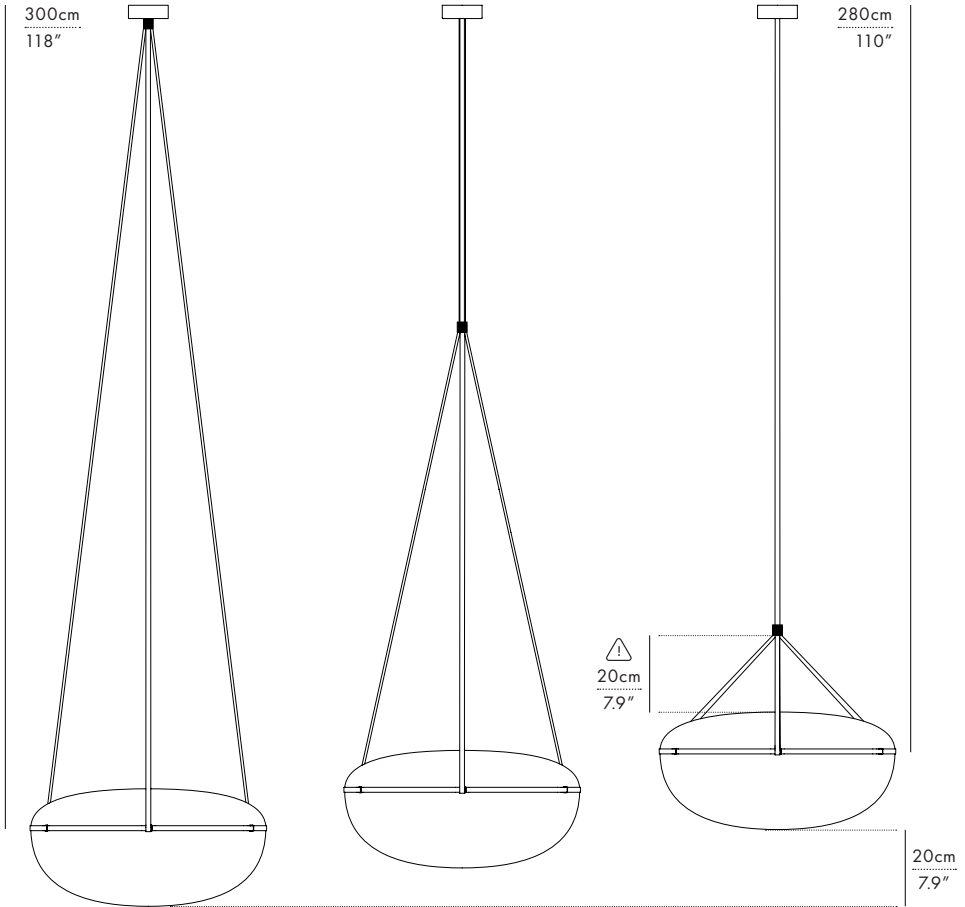


REFER TO THIS PAGE WHEN AT STEP 11

**SLIDER IN HIGHEST POSITION**

**SLIDER IN MIDDLE POSITION**

**SLIDER IN LOWEST POSITION**



**MINIMUM SLIDER'S DISTANCE FROM TOP LENS**

# LED DRIVER OPTIONS

The Iris Pendant LED driver varies depending on dimming requirements and input voltage.

Use the ordering code to determine the driver selected:  
 ie. IRI-90-P-A-B-BLK-27-010-277

DIMMING --- INPUT VOLTAGE



**DO NOT MODIFY DRIVER DIP SWITCH - IT COULD DAMAGE THE LUMINAIRE.**



## ELV DIMMING (ELV)

DIM WARM

EUCHIPS PUP20T-1HMC-700

**INPUT:** 230VAC

**OUTPUT:** 500mA, 20W

**L x W x H:** 88 x 43 x 26.5

PROSTATIC

EUCHIPS PUP40T-1HMC-1200

**INPUT:** 230VAC

**OUTPUT:** 900mA, 34W

**L x W x H:** 88 x 43 x 26.5

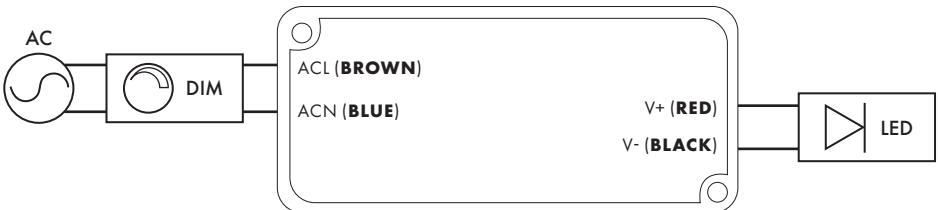
PROSTATIC

EUCHIPS PUP20T-1HMC-700

**INPUT:** 230VAC

**OUTPUT:** 700mA, 24W

**L x W x H:** 88 x 43 x 26.5





**DO NOT MODIFY DRIVER DIP SWITCH – IT COULD DAMAGE THE LUMINAIRE.**



**0-10 DIMMING (010)**

**DALI DIMMING (DAL)**

DIM WARM

EUCHIPS PUP20A-1WMC-700  
**INPUT:** 120VAC  
**OUTPUT:** 500mA, 20W  
**L x W x H:** 88 x 43 x 26.5

DIM WARM

EUCHIPS PUP20D-1WMC-700  
**INPUT:** 120VAC  
**OUTPUT:** 500mA, 20W  
**L x W x H:** 88 x 43 x 26.5

P90 STATIC

EUCHIPS PUP40T-1WMC-1200  
**INPUT:** 120VAC  
**OUTPUT:** 900mA, 34W  
**L x W x H:** 88 x 43 x 26.5

P90 STATIC

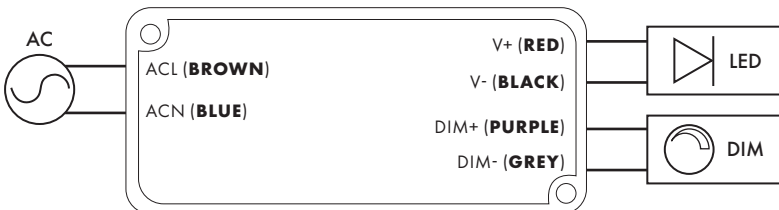
EUCHIPS PUP40D-1WMC-1200  
**INPUT:** 120VAC  
**OUTPUT:** 900mA, 34W  
**L x W x H:** 88 x 43 x 26.5

P60 STATIC

EUCHIPS PUP20A-1WMC-700  
**INPUT:** 120VAC  
**OUTPUT:** 700mA, 24W  
**L x W x H:** 88 x 43 x 26.5

P60 STATIC

EUCHIPS PUP20D-1WMC-700  
**INPUT:** 120VAC  
**OUTPUT:** 900mA, 24W  
**L x W x H:** 88 x 43 x 26.5



# INSTALLATION

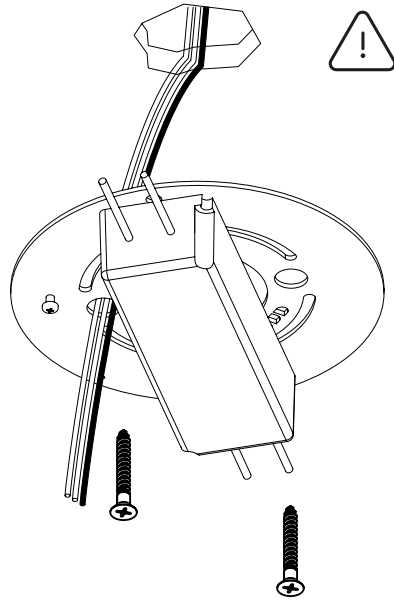
## STEP 1

### Mount the backplate to the ceiling.

Use the provided #8 screws.  
Anchors, if needed, provided by installer.

#### **Caution!**

Ensure that the power is disconnected at the breaker.



# INSTALLATION – SLOPED CEILING ONLY



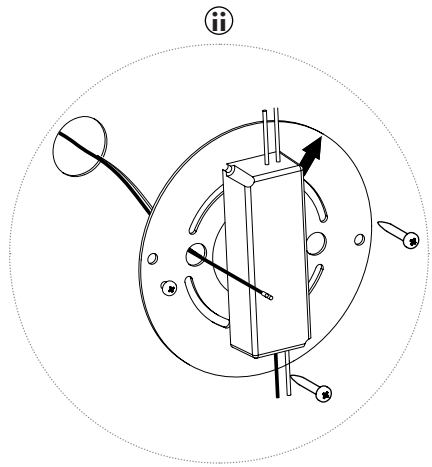
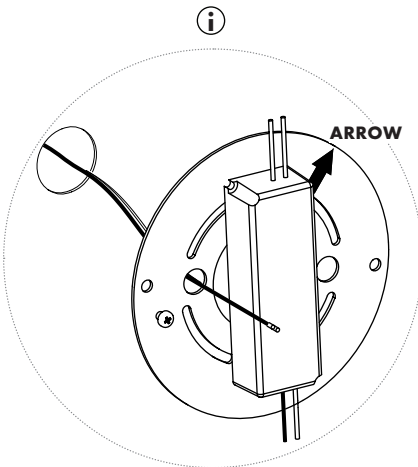
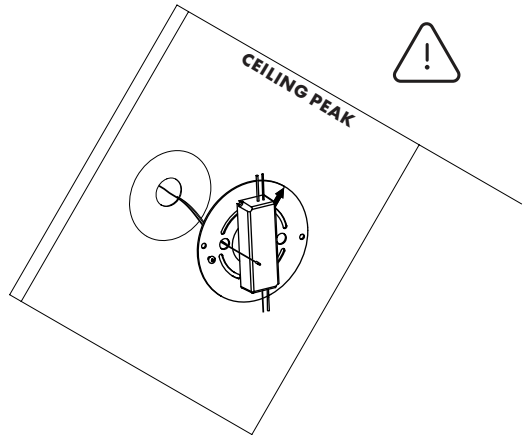
## STEP 1 – SLOPED CEILING ONLY

i) Orient the backplate with the arrow pointing towards the peak of the vaulted ceiling.

ii) Mount the backplate to the ceiling.

Use the provided #8-32 screws.  
Anchors, if needed, provided by installer.

**⚠ Caution!**  
Ensure that the power is disconnected at the breaker.



# INSTALLATION

## STEP 2

**Connect the primary circuit on the LED driver to input power. Connect ground.**

Black/brown wire = **Line** (L)

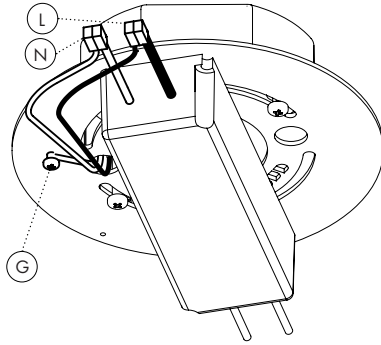
White/blue wire = **Neutral** (N)

Green screw = **Ground** (G)

**If required, connect the dimming wires:**

DIM+ wire = **Purple** (+)

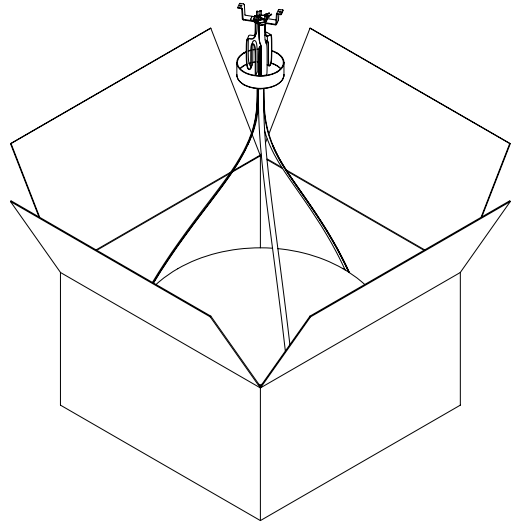
DIM- wire = **Grey** (-)



**STEP 3**

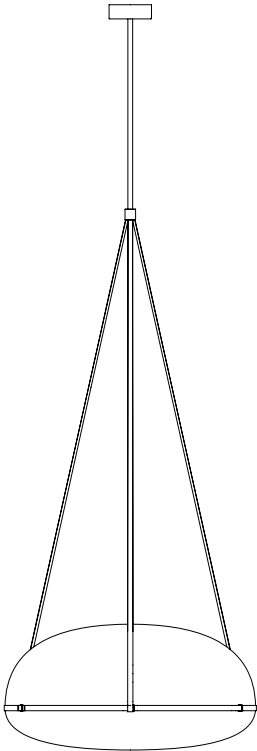
**Iris comes pre-assembled with a 300cm / 118" drop height.**

Leave the assembly in box up to suspending.



⚠ **ENSURE WEBBING IS NOT TWISTED** ⚠

**PRE-SET HEIGHT**



300cm  
118"

⚠ **DO NOT CUT ANY WEBBING**

# INSTALLATION

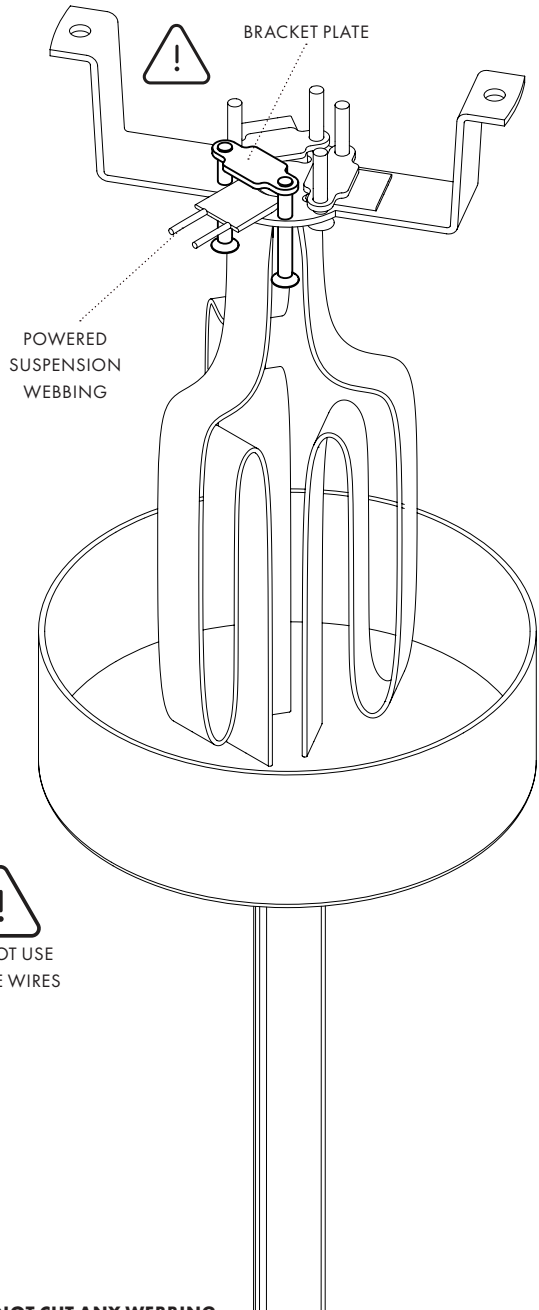
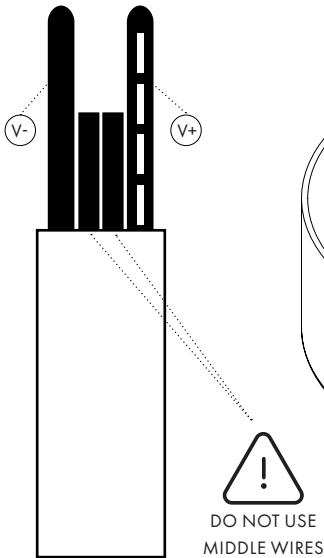
## STEP 4

**Identify the powered suspension webbing bracket plate and loosen it.**

Use the provided hex key to loosen the two screws.

**⚠ Attention!**

Do not completely unscrew the bracket plate.



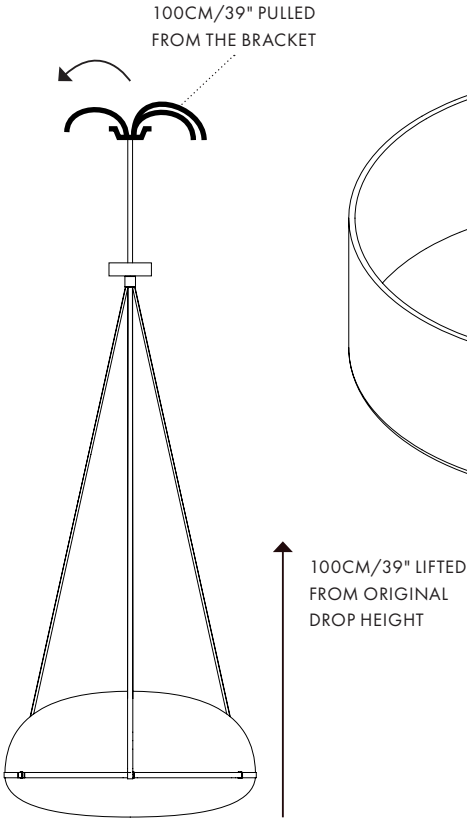
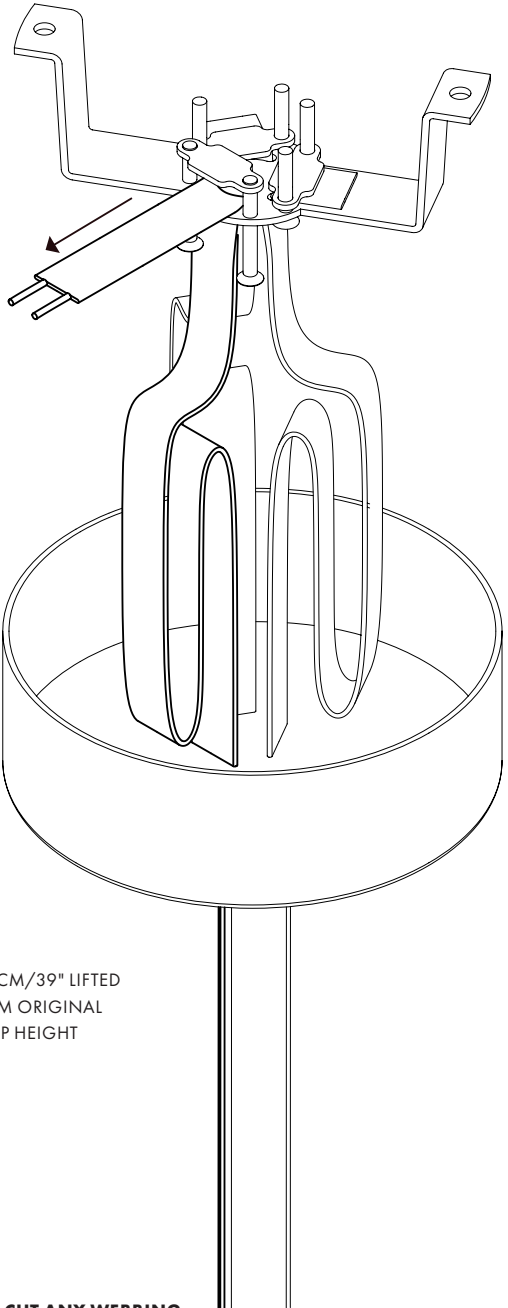
⚠ DO NOT CUT ANY WEBBING

## STEP 5

**Gently pull the powered suspension webbing from the bracket.**

The length you will pull from the bracket will lift the fixture by the same amount.

i.e. pulling 100cm/39" up through the bracket will lift the fixture by 100/39"cm.



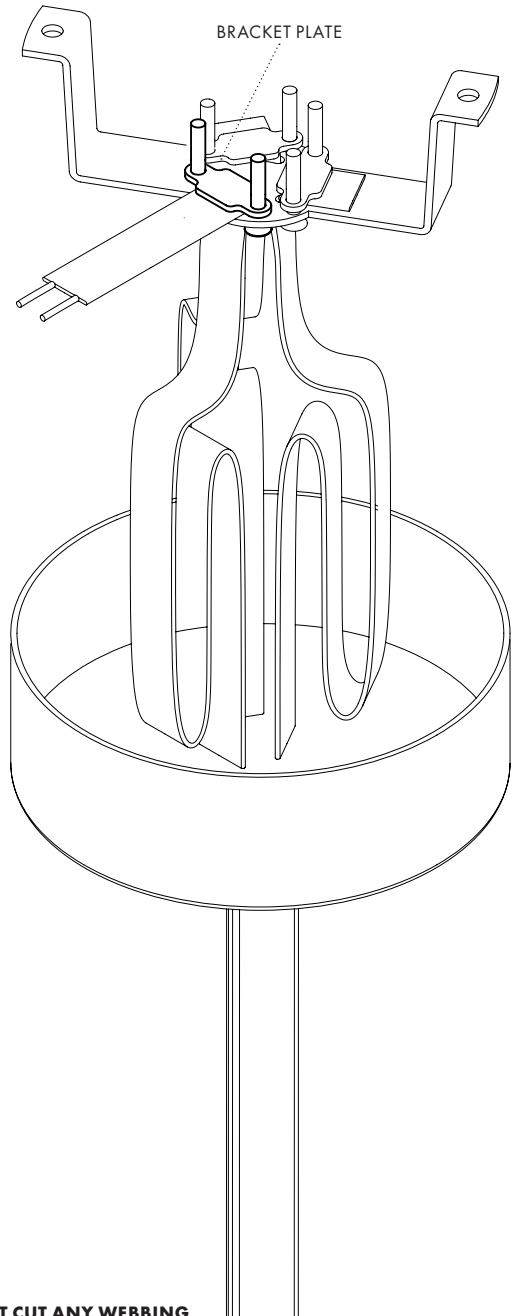
**DO NOT CUT ANY WEBBING**

# INSTALLATION

## STEP 6

### Re-tighten the bracket plate.

Use the provided hex key to secure the plate on the bracket.

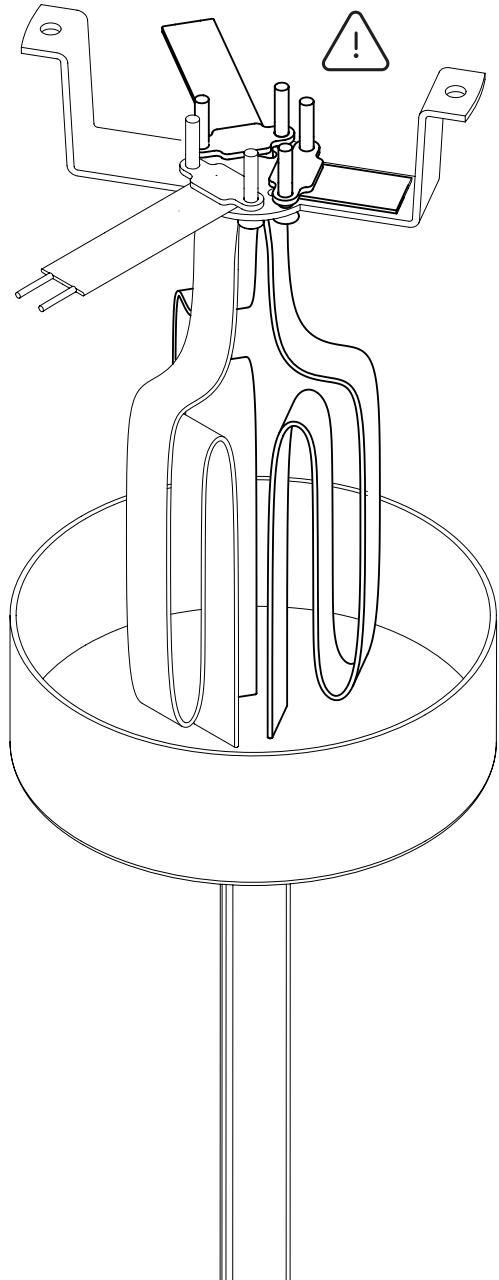


**STEP 7**

**Repeat steps 4, 5 and 6 for the other two bracket plates.**

**⚠ Attention!**

Check that every suspension webbing is being pulled equally up through the bracket.



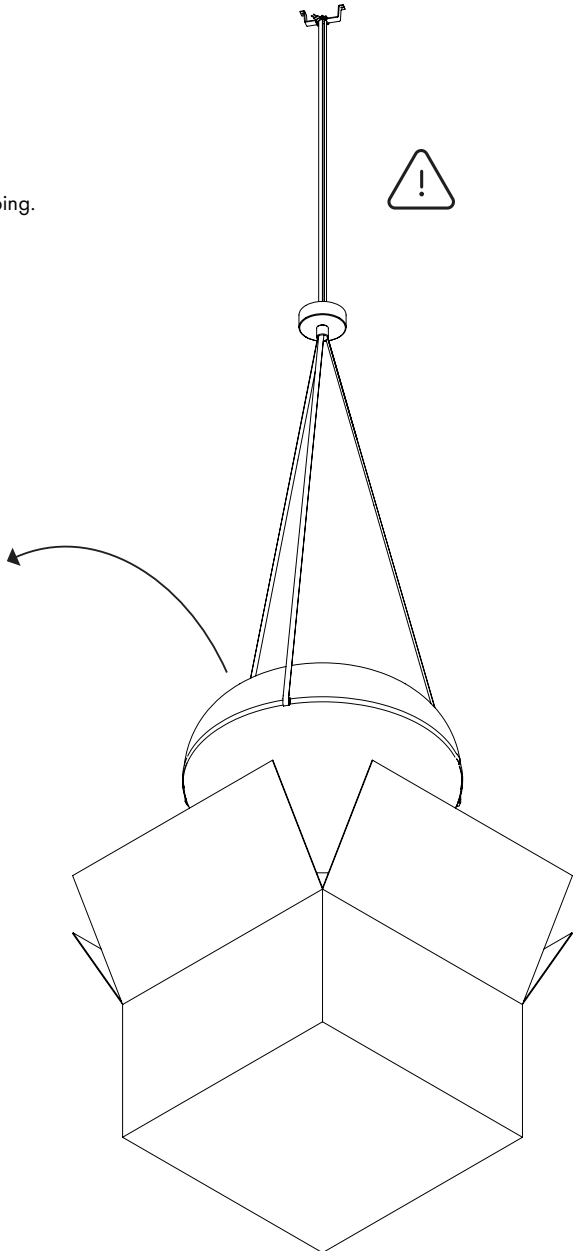
# INSTALLATION

## STEP 8

Carefully remove the light assembly from the box and put aside.

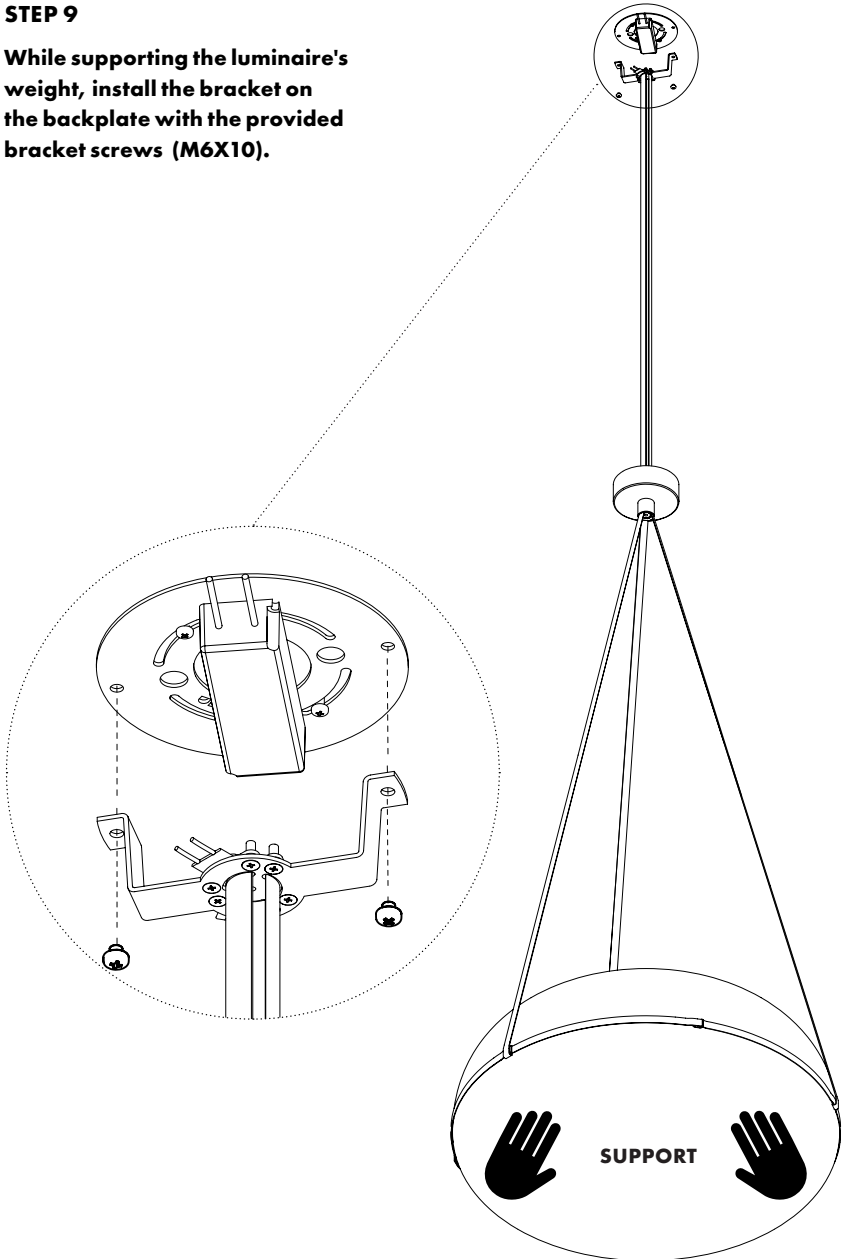
**⚠ Caution!**

Do not twist the suspension webbing.



**STEP 9**

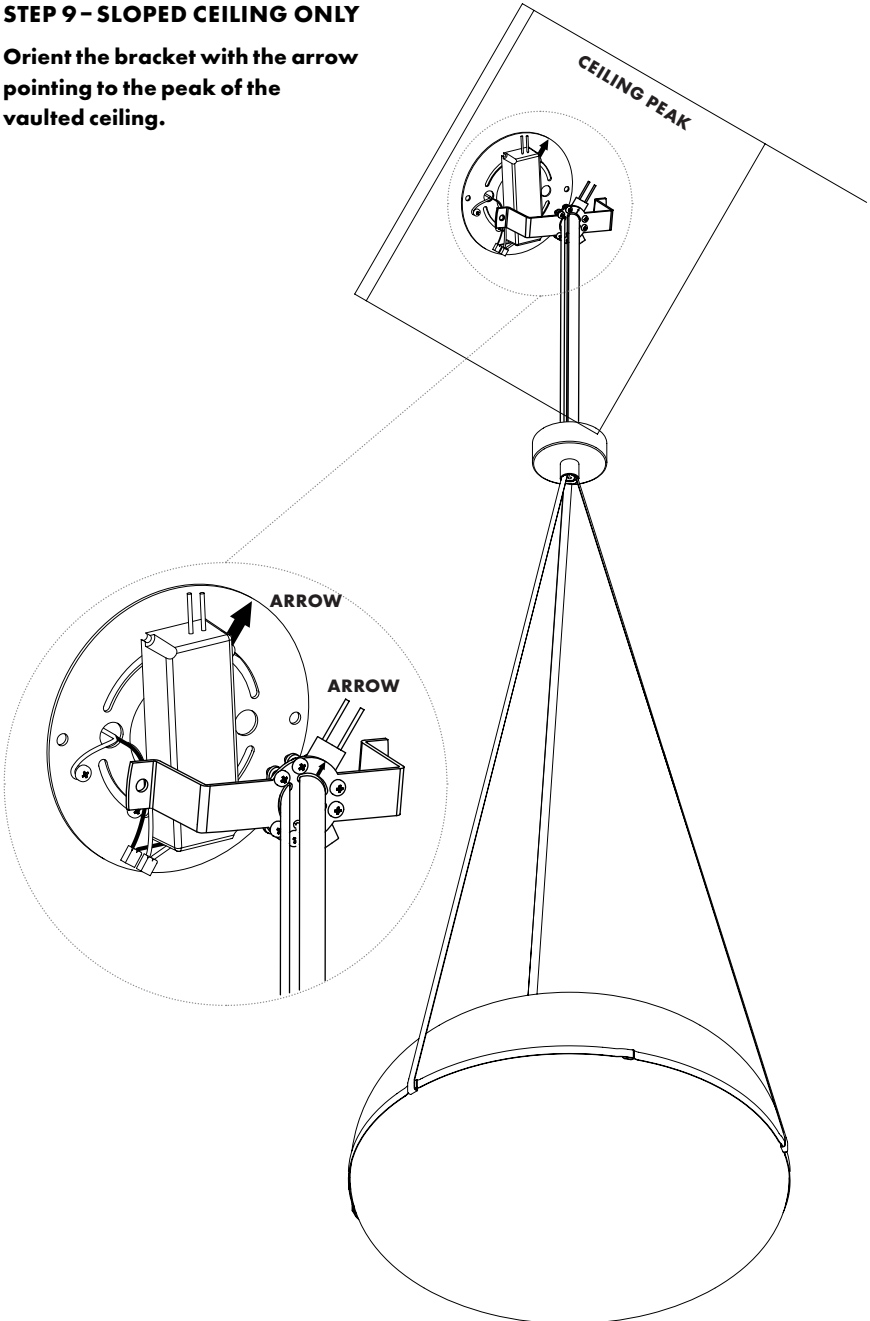
**While supporting the luminaire's weight, install the bracket on the backplate with the provided bracket screws (M6X10).**



# INSTALLATION – SLOPED CEILING ONLY

## STEP 9 – SLOPED CEILING ONLY

Orient the bracket with the arrow pointing to the peak of the vaulted ceiling.

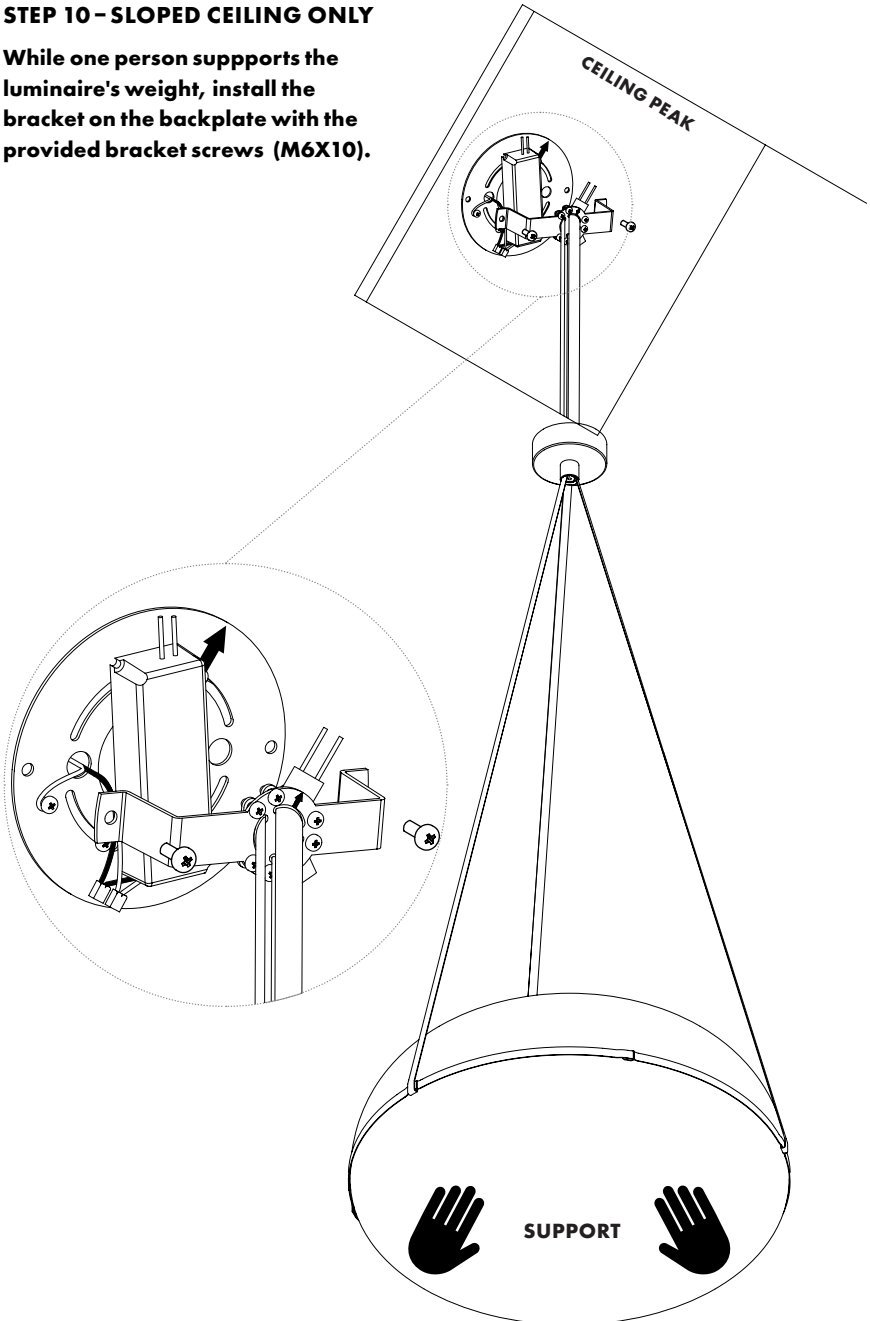


# INSTALLATION – SLOPED CEILING ONLY



## STEP 10 – SLOPED CEILING ONLY

While one person supports the luminaire's weight, install the bracket on the backplate with the provided bracket screws (M6X10).



# INSTALLATION

## STEP 11

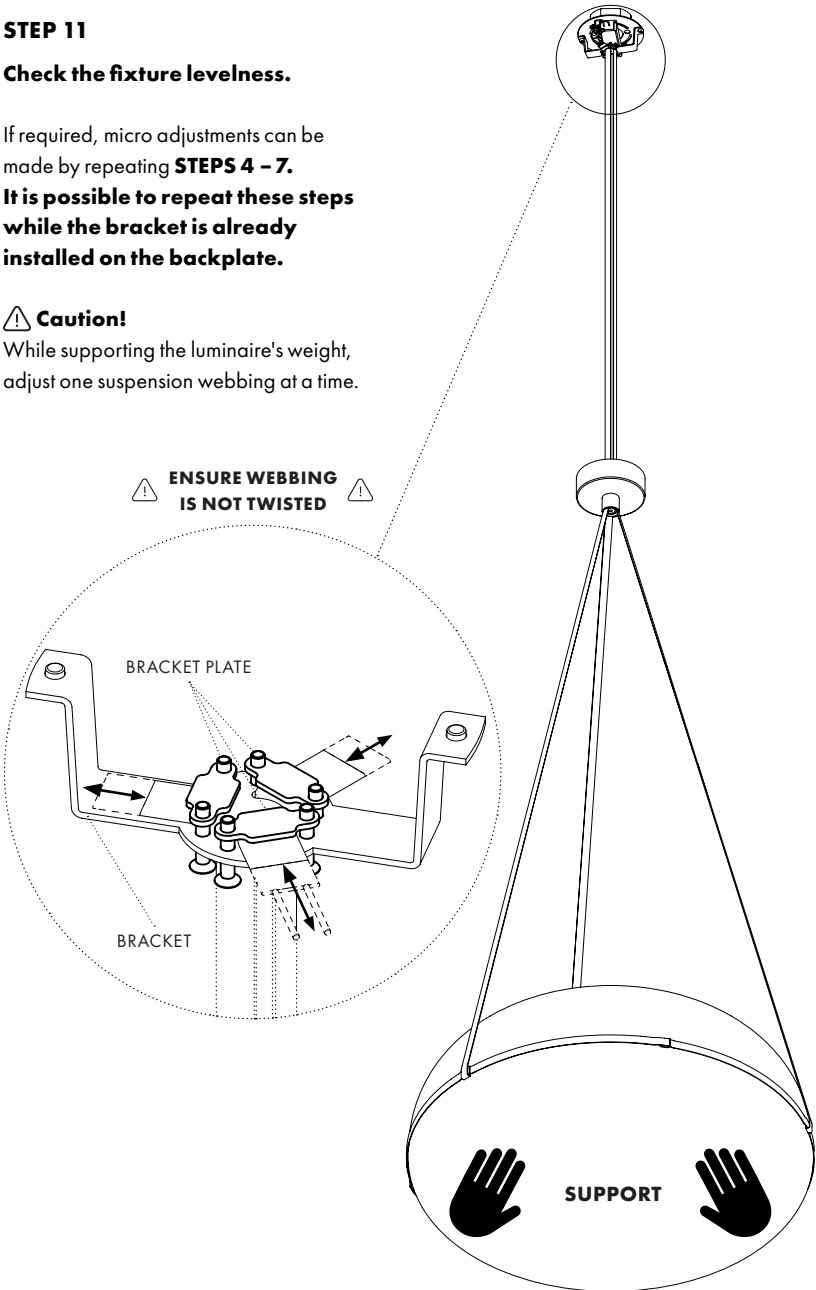
### Check the fixture levelness.

If required, micro adjustments can be made by repeating **STEPS 4 – 7**.

**It is possible to repeat these steps while the bracket is already installed on the backplate.**

#### **⚠ Caution!**

While supporting the luminaire's weight, adjust one suspension webbing at a time.





## STEP 11 – SLOPED CEILING ONLY

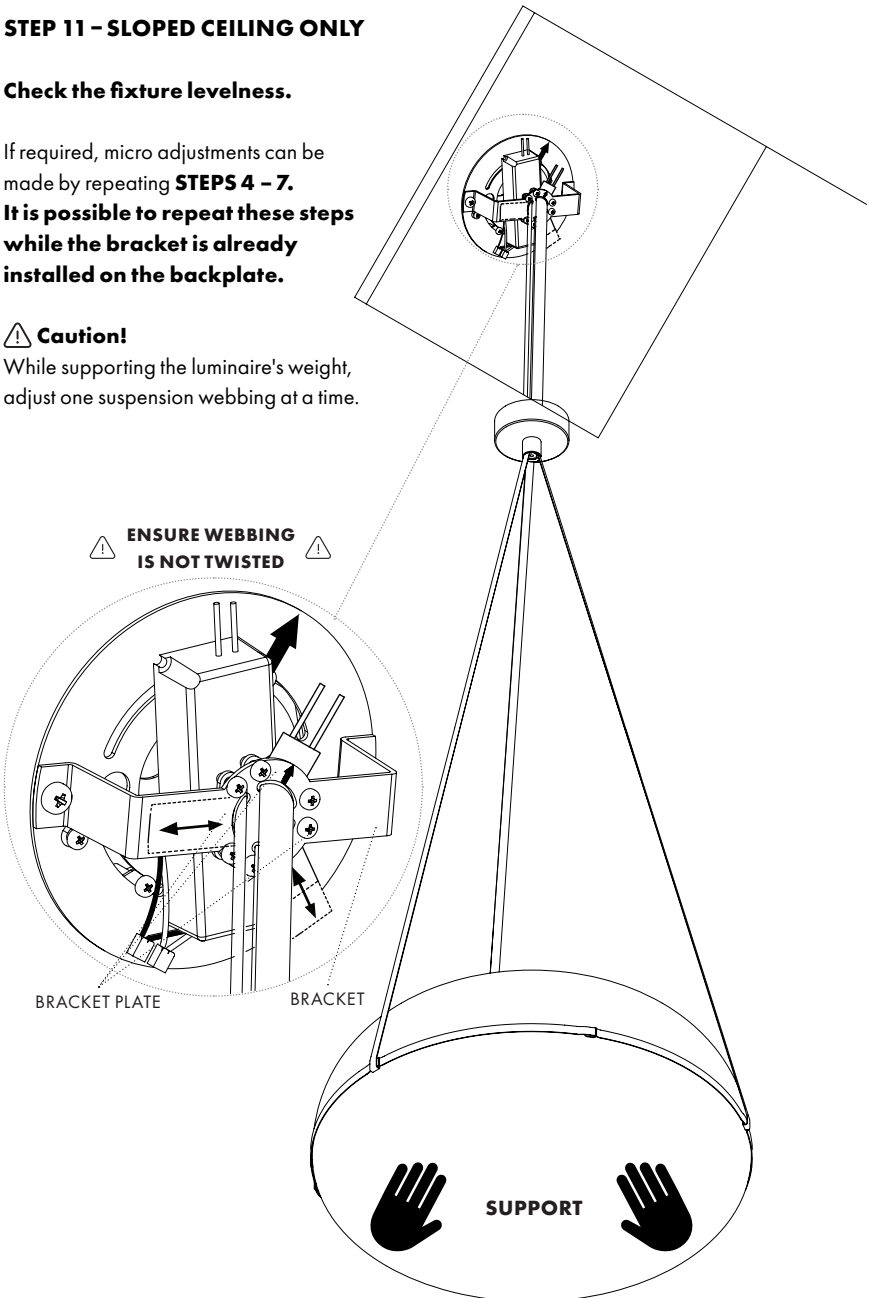
### Check the fixture levelness.

If required, micro adjustments can be made by repeating **STEPS 4 – 7**.

**It is possible to repeat these steps while the bracket is already installed on the backplate.**

### **⚠ Caution!**

While supporting the luminaire's weight, adjust one suspension webbing at a time.



# INSTALLATION

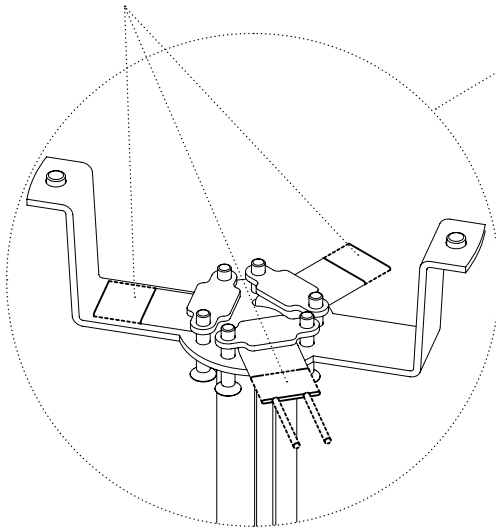
---

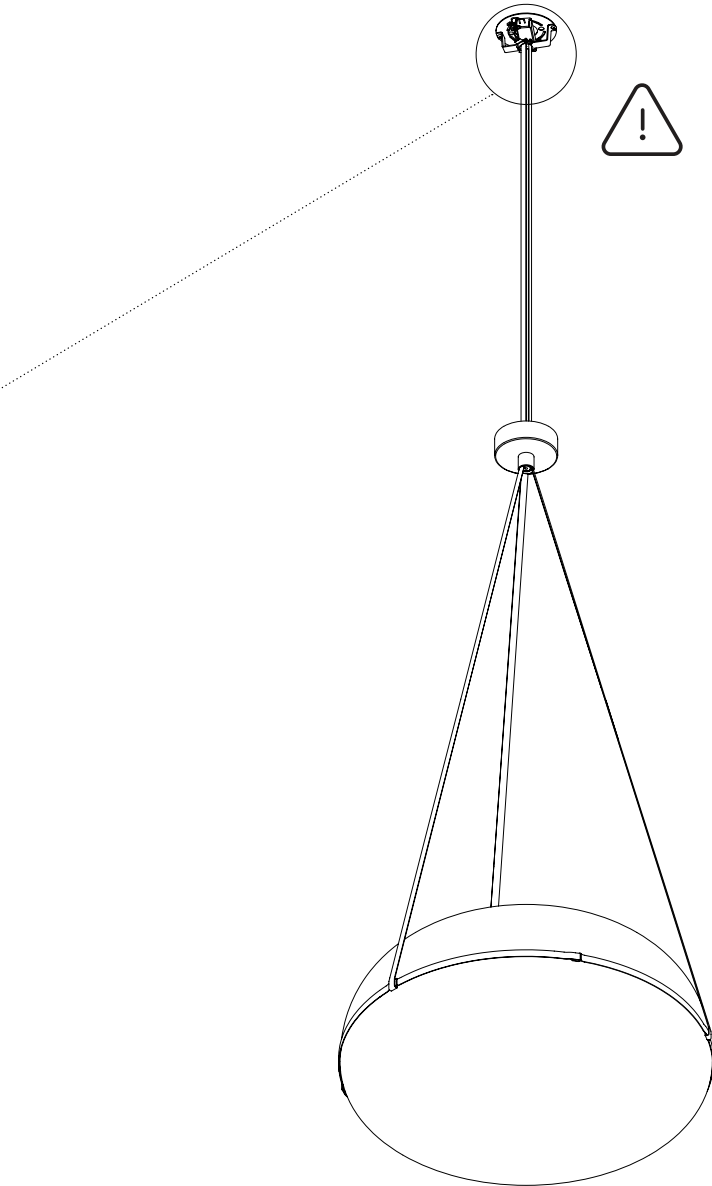
## STEP 12

**⚠ Attention!**  
**Before trimming excess webbing and wires,**  
ensure height is correct.

Leave an extra 15cm / 6" of suspension webbing.

CUT EXCESS SUSPENSION  
WEBBING AND WIRES





**REFER TO PAGE 6: IRIS SLIDER OPTIONS**

# INSTALLATION

## STEP 13

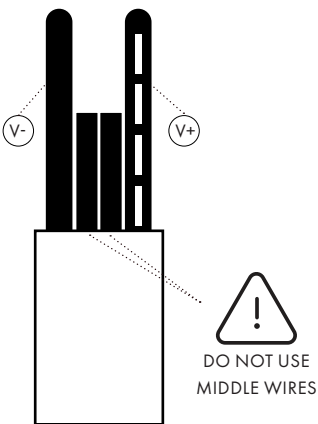
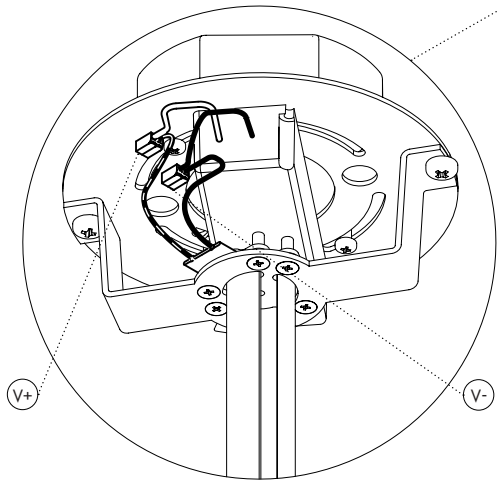
**Connect the luminaire to secondary circuit on LED driver.**

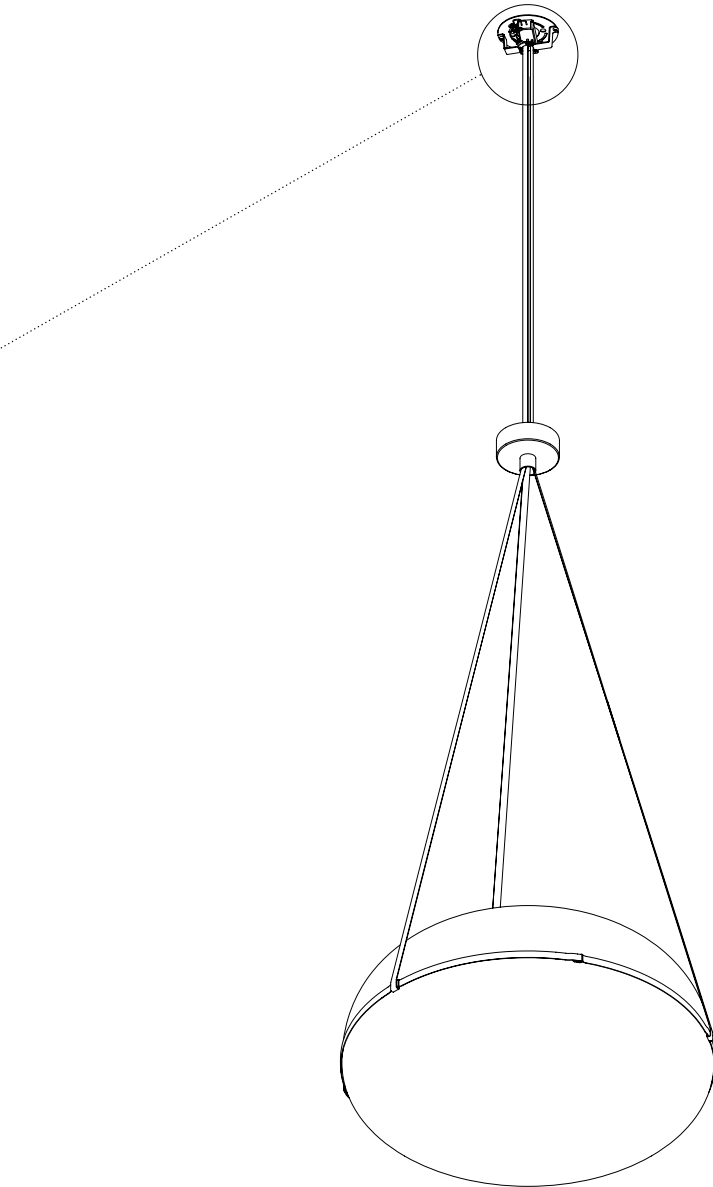
Black with white stripes = **Positive** (V+)

Black = **Negative** (V-)

**⚠ Caution!**

**DO NOT** use the two middle wires for any electrical connection.

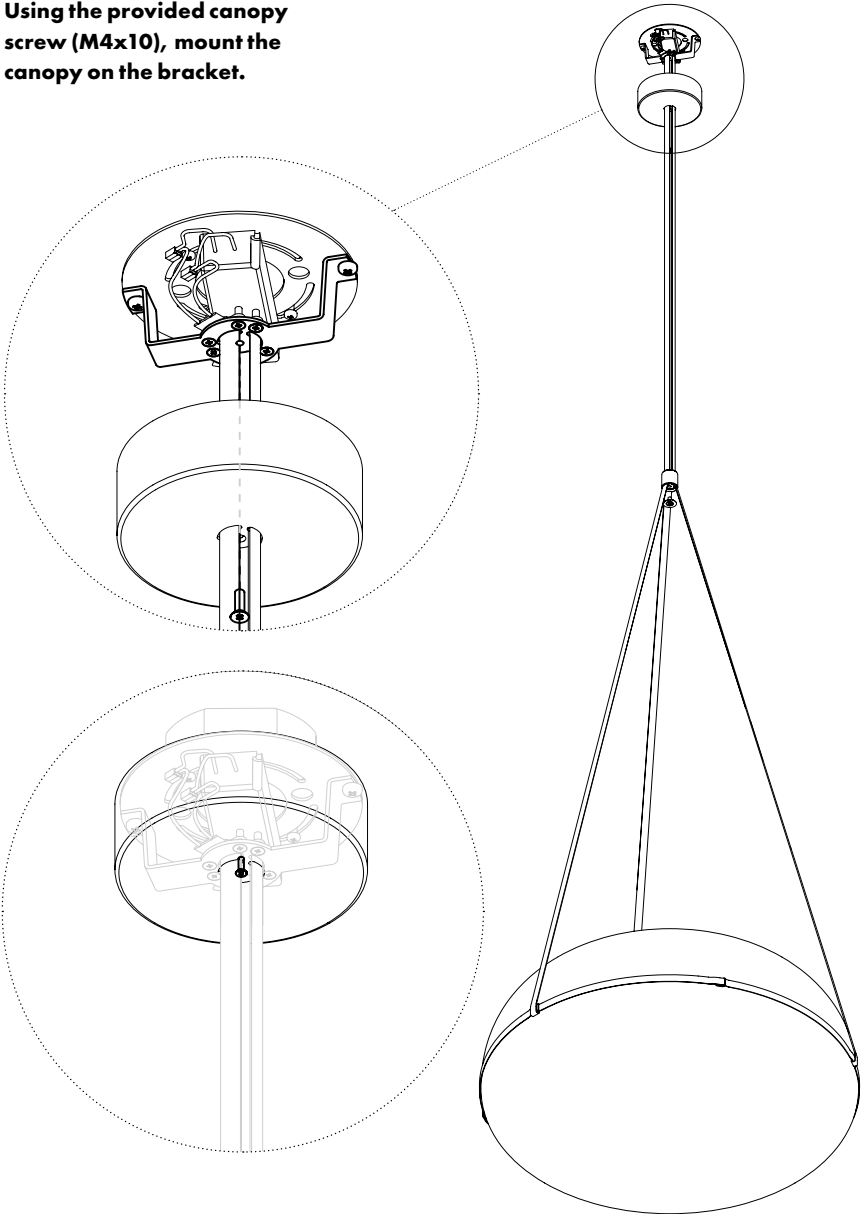




# INSTALLATION

## STEP 14

Using the provided canopy screw (M4x10), mount the canopy on the bracket.



## STEP 15

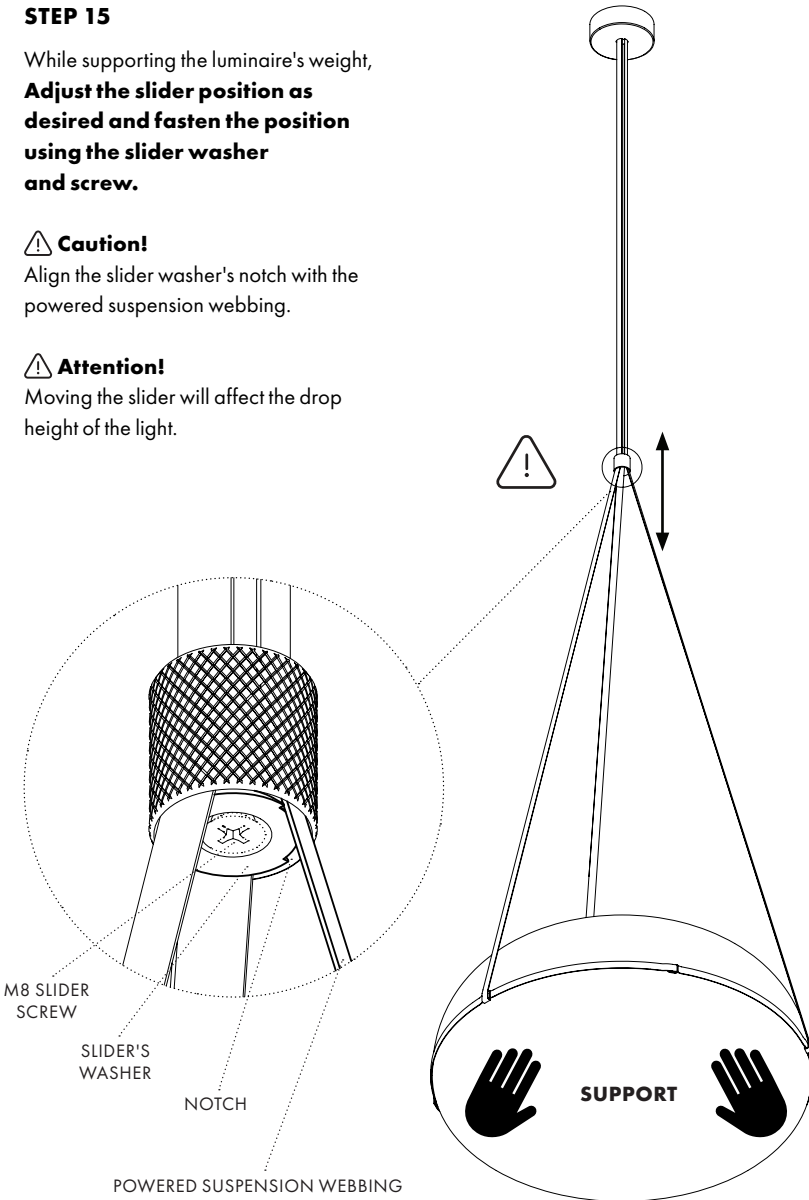
While supporting the luminaire's weight, **Adjust the slider position as desired and fasten the position using the slider washer and screw.**

**⚠ Caution!**

Align the slider washer's notch with the powered suspension webbing.

**⚠ Attention!**

Moving the slider will affect the drop height of the light.



REFER TO PAGE 6: IRIS SLIDER OPTIONS

# A—N—D

For support, please contact:

[info@a-n-d.com](mailto:info@a-n-d.com)

+1 604 563 6938



1951 Franklin St,  
Vancouver, BC  
Canada V5L 0C7

**A-N-D.COM**