

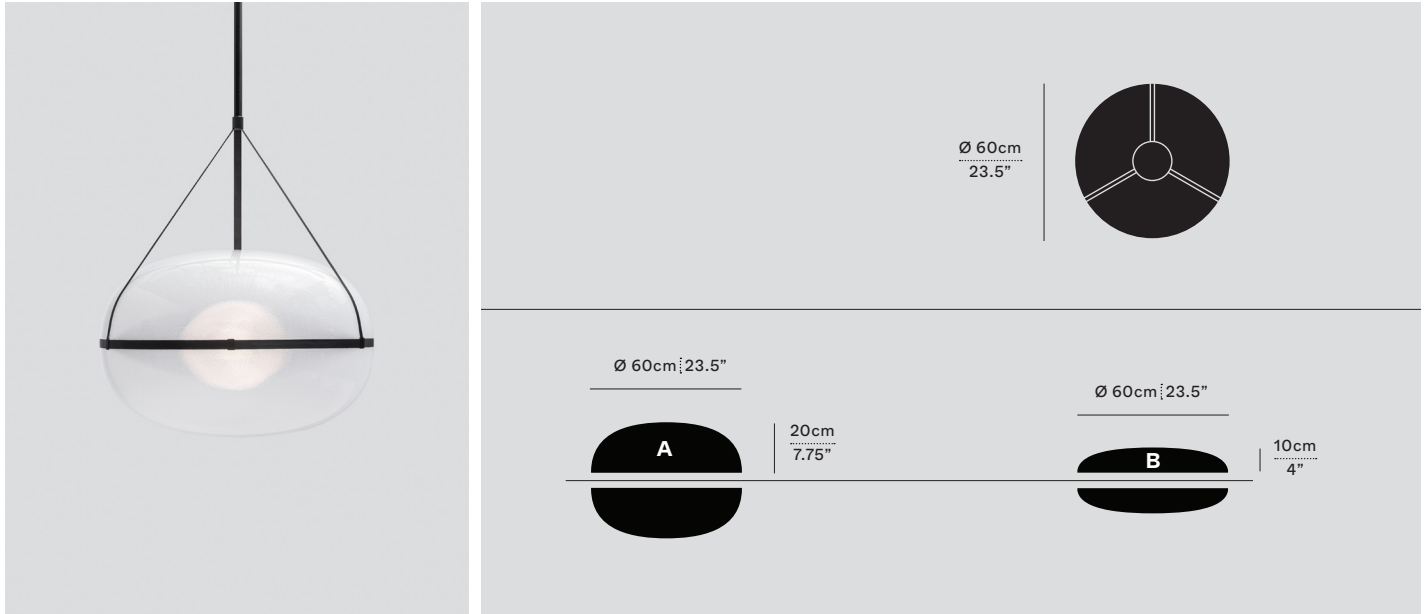
IRIS 60 — P

A—N—D

PENDANT

Designed by Caine Heintzman

2024



IRI-60-P-A-A-BLK-27-ELV-120

A-N-D.COM

TYPE

Pendant

DIMENSIONS

Combination Dependant

A: Ø 60cm x 20cm / Ø 23.5" x 7.75"

B: Ø 60cm x 10cm / Ø 23.5" x 4"

Adjustable drop length

300cm / 118" – Custom length available

Weight

5kg / 11lbs

3D MODELS

REVIT, IES, DWG, 3DS, Rhino, Sketchup

CERTIFICATIONS



Application: dry indoor location only

MATERIALS

Aluminum, Acrylic, Suspension

TECHNICAL INFORMATION

Input Voltage

110–120V, 220–240V, 110–277V

Lamping

Static CCT: 24W 35V DC LED

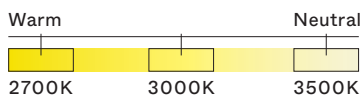
DW CCT: 20W 35V DC LED

CRI 90+, 50,000 hours

Controls

Phase dimming, 0–10V, DALI

COLOUR TEMPERATURE OPTIONS



DIM TO WARM

Warm / DIM - Bright / DIM +



MANUFACTURED

Canada

FINISHES



Black (BLK) Silver (SLV)

LENS FINISH



Clear (CLR)



For custom finishes, please inquire.

SERIES	SIZE	TYPE	DOWN	UP	FINISH	CCT	PS	VOLTAGE IN
IRI	60	P	<input type="checkbox"/> A	<input type="checkbox"/> A	<input type="checkbox"/> BLK (BLACK)	<input type="checkbox"/> 27 (2700K)	<input type="checkbox"/> ELV	<input type="checkbox"/> 120
			<input type="checkbox"/> B	<input type="checkbox"/> B	<input type="checkbox"/> SLV (SILVER)	<input type="checkbox"/> 30 (3000K)	<input type="checkbox"/> 010	<input type="checkbox"/> 230
						<input type="checkbox"/> 35 (3500K)	<input type="checkbox"/> DAL	<input type="checkbox"/> 277*
					<input type="checkbox"/> DW (DIM TO WARM)			

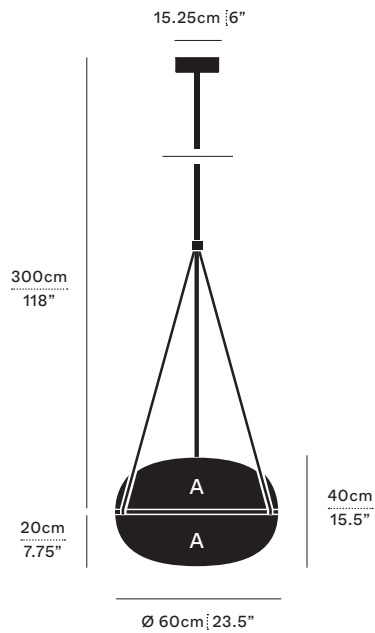
*277 only available with 010

IRIS 60 — P

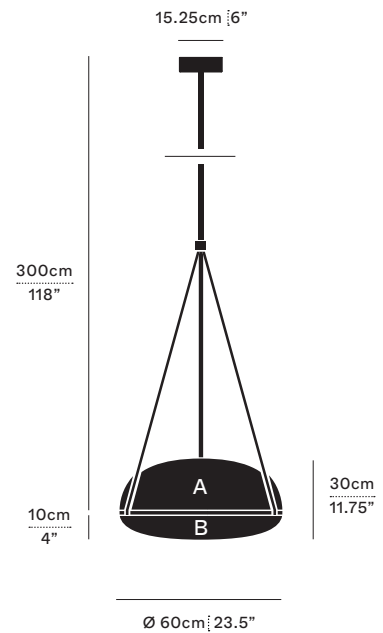
PENDANT

A—N—D

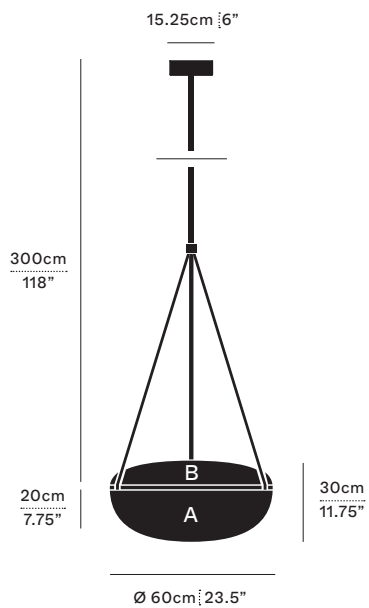
COMBO A/A



COMBO B/A



COMBO A/B



COMBO B/B

