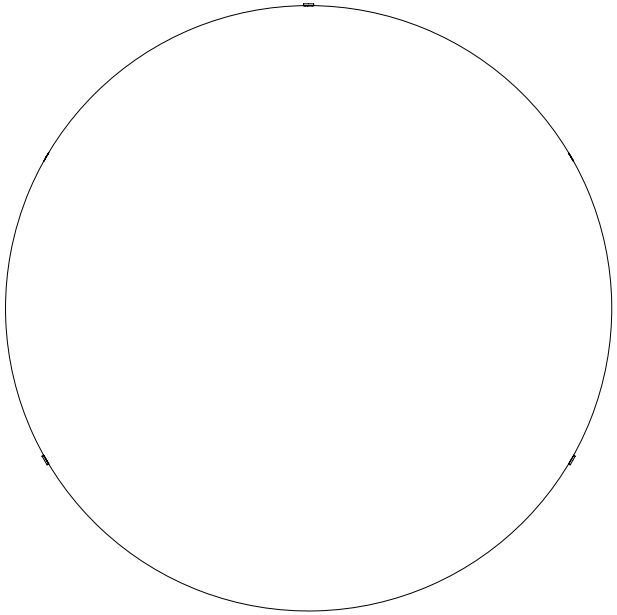


A—N—D

# IRIS SERIES CEILING/WALL

DESIGNER  
CAINE HEINTZMAN



INSTRUCTIONS



SCAN HERE

WORLD MARKET



A-N-D.COM

# INSTALLATION NOTES

---

A low voltage Class 2 constant current LED driver is required to operate the luminaire.

It is recommended that two people install the Iris Ceiling/Wall; one to gently support the luminaire while the other makes the electrical and mechanical connections to the surface.

For questions regarding installation, please email [info@n-d.com](mailto:info@n-d.com)



---

## CARE INSTRUCTIONS

Always wear clean gloves when handling the luminaire. Clean finished surfaces with a soft, lint-free cloth. Clean acrylic diffuser with a soft lint-free cloth and soap and water if necessary.

For replacement parts contact A-N-D directly. Never exceed the recommended wattage, as doing so may damage the luminaire or cause a fire.



---

## WARNING

The luminaire must be installed by a qualified electrician in a dry indoor location.

Failure to meet any or all of these criteria will not only damage the luminaire, but will void both the warranty and all of its certifications.

Always ensure circuit breaker is off prior to making electrical connections.

# LED DRIVER OPTIONS



The Iris CW LED driver varies depending on dimming requirements and input voltage.

Use the ordering code to determine the selected driver:

ie. IRI-90-CW-B-CLR-27-010-277

DIMMING --- INPUT VOLTAGE



**DO NOT MODIFY DRIVER DIP SWITCH - IT COULD DAMAGE THE LUMINAIRE.**

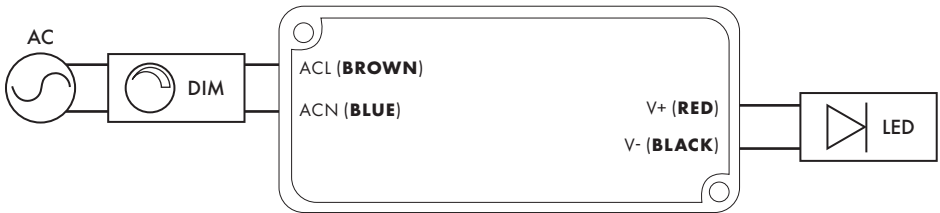
## PHASE CUT DIMMING (PC)

DW OPTION

EUCHIPS PUP10T-1HMC-350  
**INPUT:** 120VAC  
**OUTPUT:** 350mA, 10W  
**L x W x H:** 88 x 43 x 26.5

STATIC OPTION

EUCHIPS PUP10T-1HMC-350  
**INPUT:** 120VAC  
**OUTPUT:** 350mA, 10W  
**L x W x H:** 88 x 43 x 26.5



## 0-10 DIMMING (010)

## DALI DIMMING (DAL)

DW OPTION

EUCHIPS PUP20A-1WMC-700  
**INPUT:** 100-240VAC  
**OUTPUT:** 350mA, 10W  
**L x W x H:** 88 x 43 x 26.5

DW OPTION

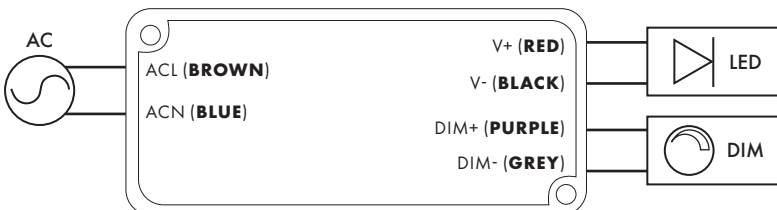
EUCHIPS PUP20D-1WMC-700  
**INPUT:** 100-240VAC  
**OUTPUT:** 350mA, 10W  
**L x W x H:** 88 x 43 x 26.5

STATIC OPTION

EUCHIPS PUP10A-1WMC-350  
**INPUT:** 100-240VAC  
**OUTPUT:** 180mA, 7W  
**L x W x H:** 88 x 43 x 26.5

STATIC OPTION

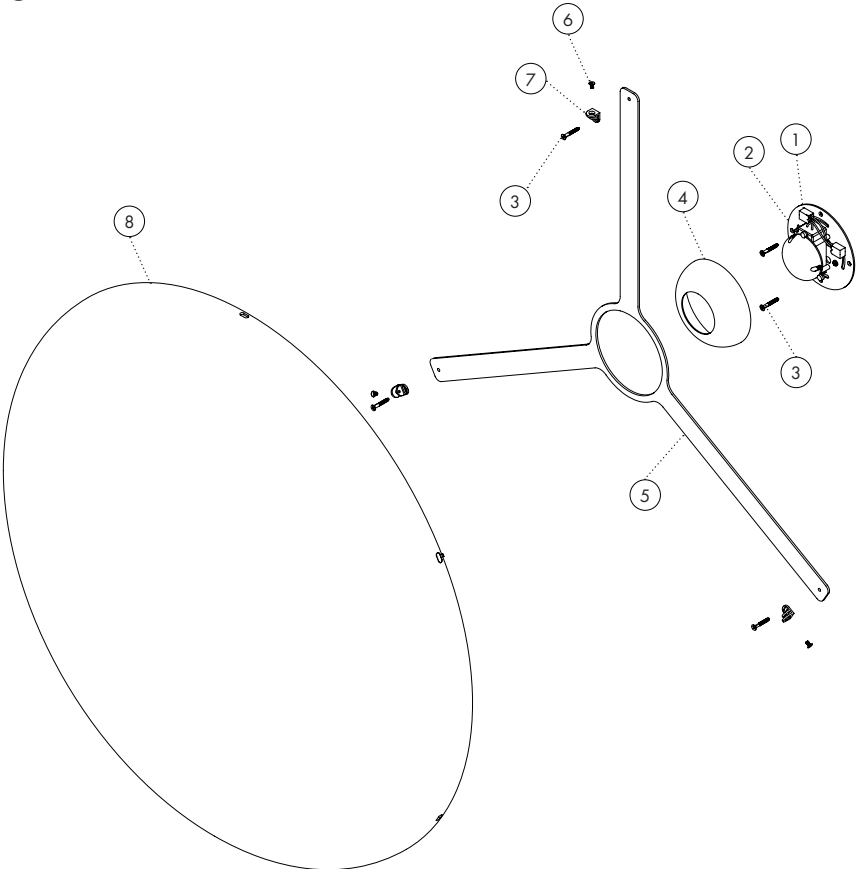
EUCHIPS PUP10D-1WMC-350  
**INPUT:** 100-240VAC  
**OUTPUT:** 180mA, 7W  
**L x W x H:** 88 x 43 x 26.5



# COMPONENTS

- ① TERMINAL (2)
- ② BACKPLATE ASSEMBLY (LED, DIFFUSER, DRIVER, BACKPLATE)
- ③ #6 SCREW (5)
- ④ CANOPY
- ⑤ MOUNTING PUCK JIG
- ⑥ LENS SCREW (3)

- ⑦ LENS PUCK (3)
- ⑧ LENS

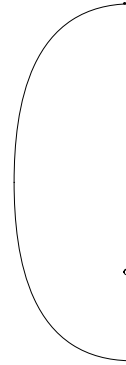
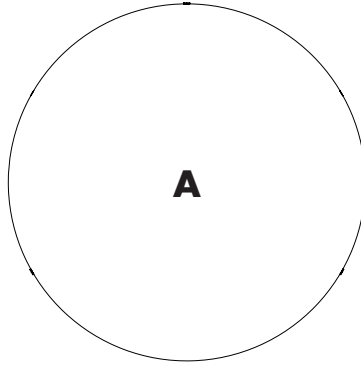


# IRIS 90/60 DIMENSIONS



The Iris Ceiling/Wall can be installed on a ceiling or wall.

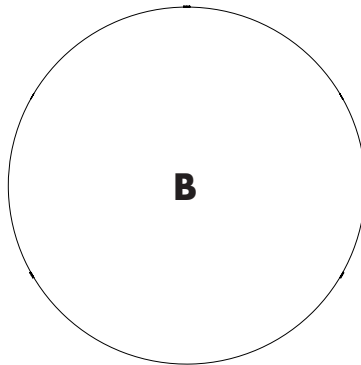
**IRIS 90** 30cm : 11.8"  
**IRIS 60** 20cm : 7.9"



**IRIS 90** 90cm : 35.4"  
**IRIS 60** 60cm : 23.6"

**IRIS 90** 30cm : 11.8"  
**IRIS 60** 20cm : 7.9"

**IRIS 90** 15cm : 5.9"  
**IRIS 60** 10cm : 3.9"



**IRIS 90** 90cm : 35.4"  
**IRIS 60** 60cm : 23.6"

**IRIS 90** 15cm : 5.9"  
**IRIS 60** 10cm : 3.9"

# INSTALLATION

## STEP 1

**Connect the primary circuit on the LED driver to input power. Connect ground.**

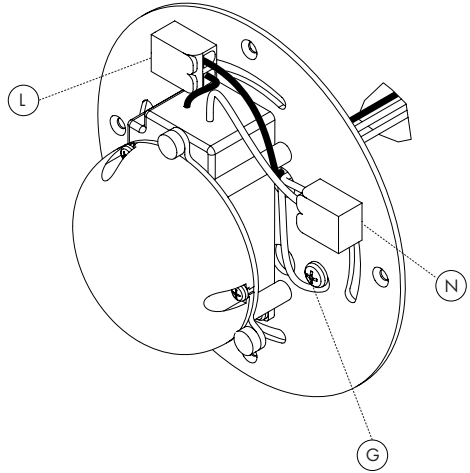
Black/brown wire = **Line** (L)

White/blue wire = **Neutral** (N)

Green screw = **Ground**

**⚠ Caution!**

Ensure that the power is disconnected at the breaker.



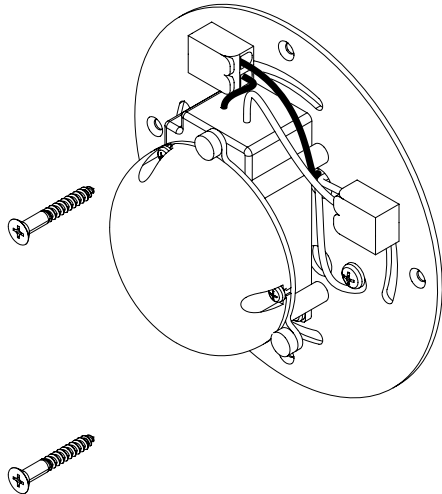
**REFER TO PAGE 3: DRIVER OPTIONS FOR MORE DETAILS**

## STEP 2

**Mount the backplate assembly to the surface.**

Use the provided #6 screws.

Anchors, if needed, are provided by installer.

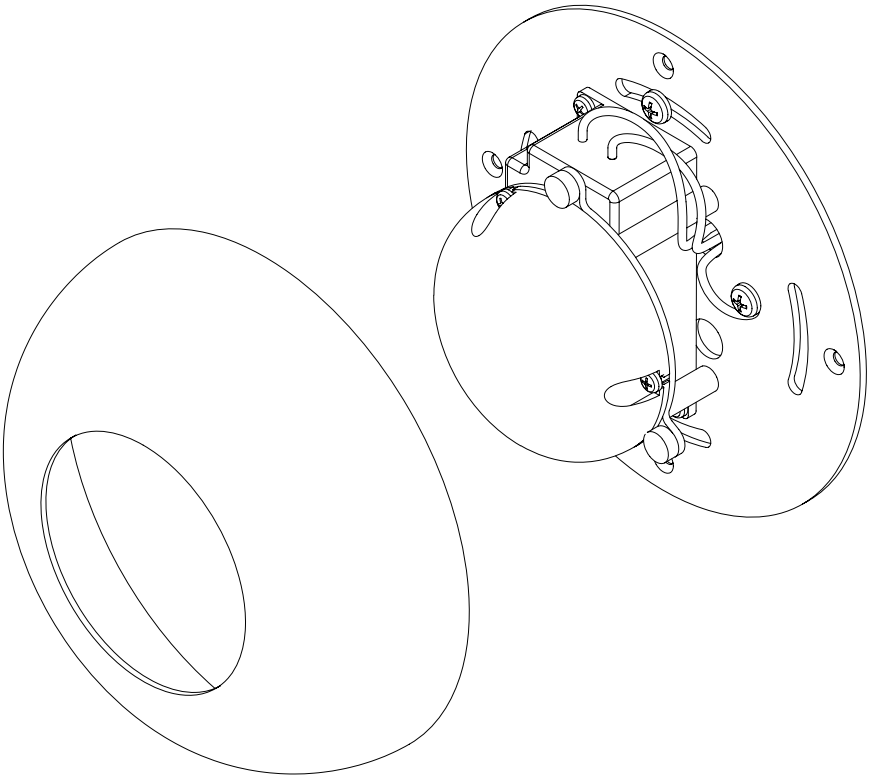


---

**STEP 3**

**Slide the canopy over the backplate assembly.**

The magnets will center the canopy on the backplate assembly.



# INSTALLATION

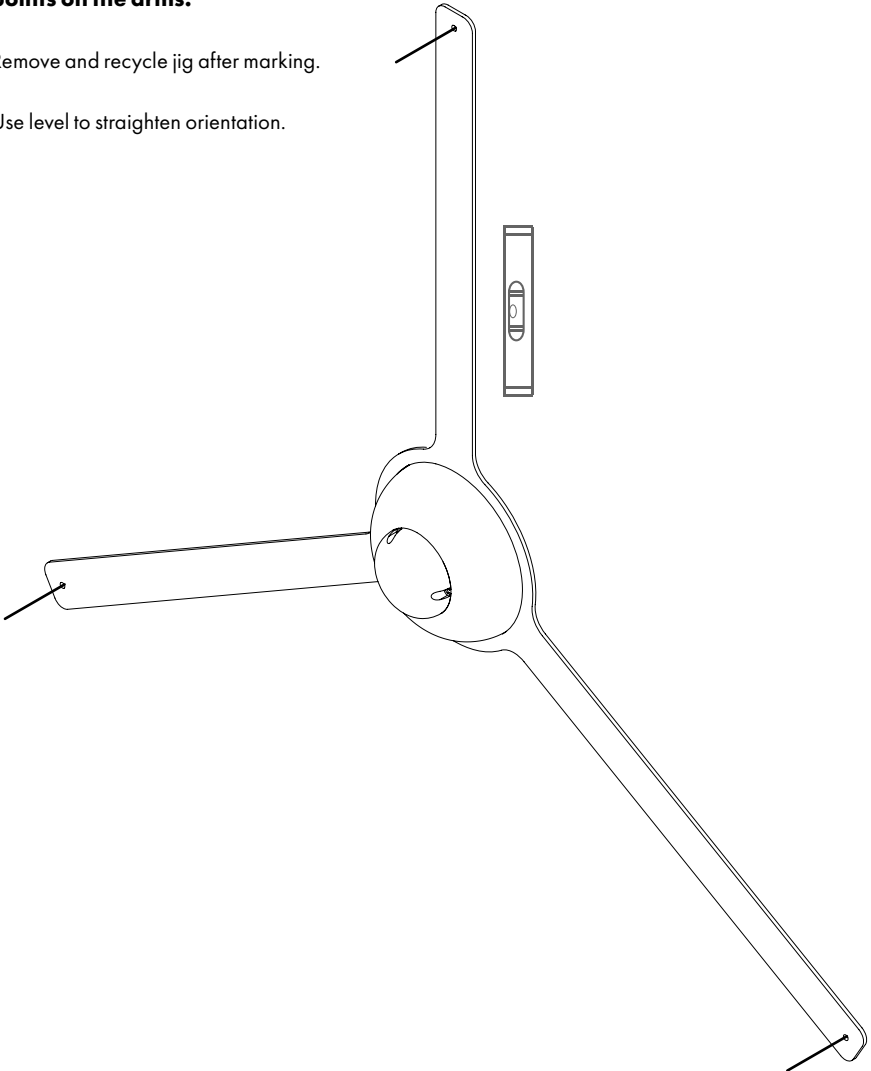
---

## STEP 4

**Slide the jig over the canopy and mark the three center points on the arms.**

Remove and recycle jig after marking.

Use level to straighten orientation.



---

## STEP 5

**Using the provided #6 screws, attach the three lens pucks on the surface.**

If necessary, use appropriate surface anchors (not provided).



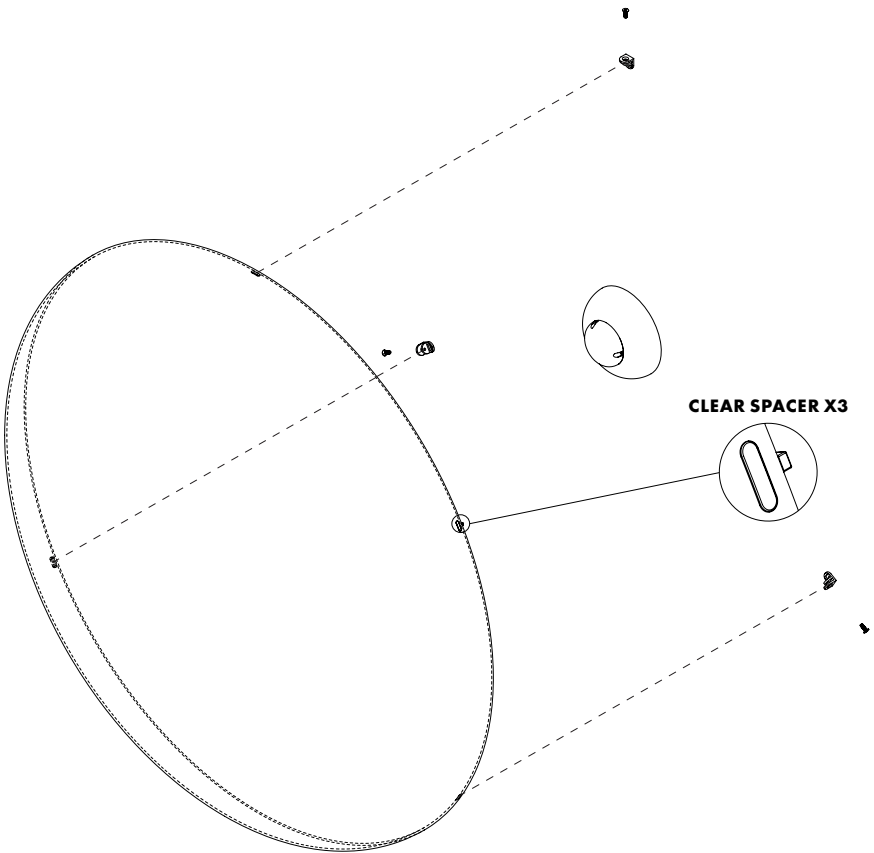
# INSTALLATION

## STEP 6

**Slide the diffuser over the three lens pucks and attach them with the provided lens screws.**

### **⚠ Caution!**

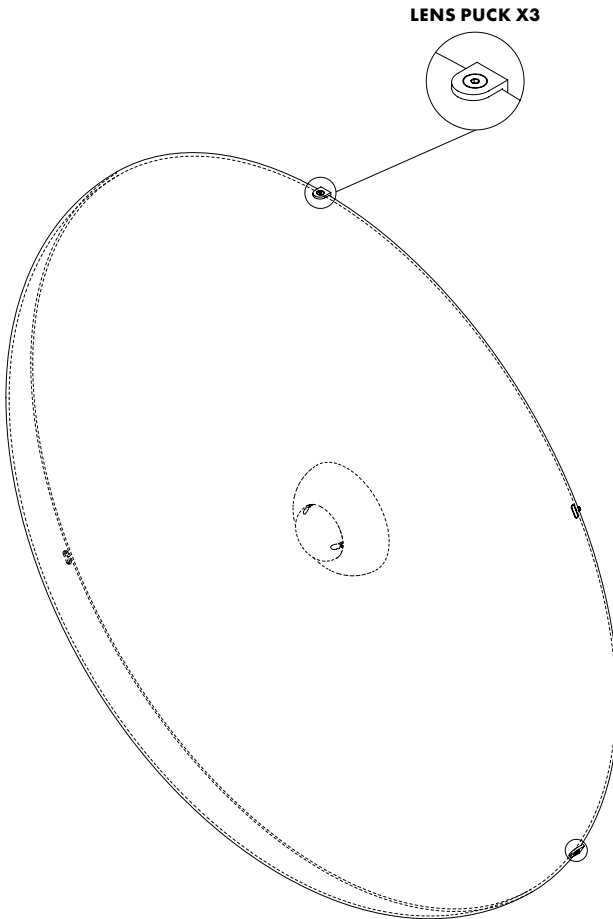
Pay attention to not damage the clear spacers on the lens while handling the diffuser.



---

**STEP 7**

**Ensure all the three lens pucks are secured.**



# A—N—D

For support, please contact:

[info@a-n-d.com](mailto:info@a-n-d.com)

+1 604 563 6938



1951 Franklin St,  
Vancouver, BC  
Canada V5L 0C7

**A-N-D.COM**