

**PERFORMANCE**  
 800 lumens (estimated)  
 Power Consumption 17.13W

**CERTIFICATION**  
 UL Listed  
 UL Listed to Canadian safety standards.  
 IP20

**SUSPENSION**  
 Black 7" round deep canopy  
 Standard black cord  
 Minimum hang height 6"  
 Maximum hang height 72"  
 Field trimmable

**LED LIFESPAN**  
 50k hours

**SPECIFICATION LOGIC**

**FELT FINISH**

Graphite	FC01
Sand	FC03
Umber	FC04

**CCT**

2700K (warm white)	27
3000K (soft white)	30
3500K (neutral white)	35
4000K (cool white)	40

**DIMMING / CONTROL / INPUT**

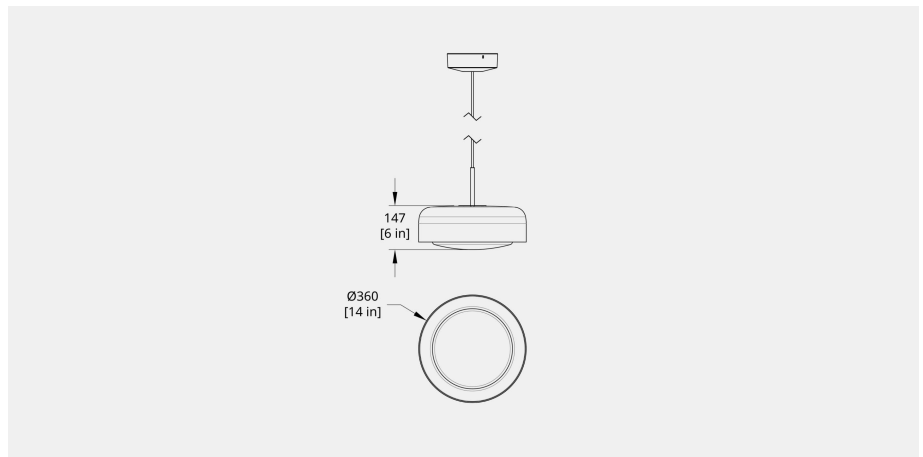
1% Dimming, TRIAC / Forward Phase Control, 120V Input (Driver External)	1_TRIAC_120V
1% Dimming, 0-10V Control, 120V or 277V "Universal Input" (Driver External)	1_10V_UNV
Low Voltage (Driver required, driver not included)	LV

**IP RATING**

IP 20	IP20
-------	------

**DRAWINGS**

Highline pendant dimensional drawing



# Highline Pendant

Pendants

**YOUR PRODUCT CODE**



**DESCRIPTION**

Highline steps into its own as a standalone flush mount and pendant, distilling its precision into a singular, pragmatic form. Designed in collaboration with industrial designer Jonas Damon, this iteration brings the original linear pendant's clean lines and minimalist elegance to a pragmatic pendant. With meticulous detailing and a focus on function, Highline's independent fixture offers sleek, elevated illumination—designed to stand out without overpowering.

**MATERIALS**

LLDPE, Aluminum, Molded Felt

**PRODUCT DIMENSIONS**

14 in dia x 6 in H