

Highline 8' (3 head)

Pendants

YOUR PRODUCT CODE

HL-83- [] - [] - [] - [] - [] - []
 - [] - []

DESCRIPTION

Highline's slim, suspended beam pairs with three distinct fixture options. Choose the sleekness of the cone pendant, the versatile dual-axis swivel of a spotlight, or the warmth of the felt shade made from 90% post-consumer fibers. Pair with a linear uplight that casts a diffuse glow.

MATERIALS

PET Plastic, Anodized Aluminum, Molded Felt.

PRODUCT DIMENSIONS

Dimensions vary for this Product. Please refer to Downloads for dimensions.

PERFORMANCE

Delivered Lumens 967.4 lm
 Power Consumption 10W
 Luminous Efficacy 96.3 lm/W
 90 CRI
 Full detail in [photometry summary](#)

CERTIFICATION

UL Listed
 UL Listed to Canadian safety standards.

LED LIFESPAN

50k hours

PATENT FILE NUMBER

US: D1070156, CA: 221378, 221381, EU:
 015020953-0001, 015020953-0002, 015020953-
 0003, 015020953-0004

SPECIFICATION LOGIC

HEAD ONE

Cone Light Pendant	1
Cone Light Pendant w. Felt Shade	2
Spotlight	3

HEAD TWO

Cone Light Pendant	1
Cone Light Pendant w. Felt Shade	2
Spotlight	3

HEAD THREE

Cone Light Pendant	1
Cone Light Pendant w. Felt Shade	2
Spotlight	3

UPLIGHT

Uplight	U
No uplight	N

COLOR TEMPERATURE

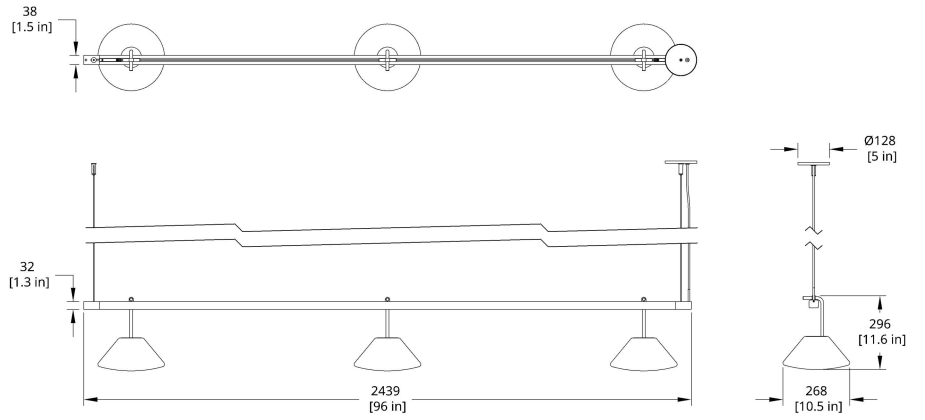
2700K (warm white)	27
3000K (soft white)	30
3500K (neutral white)	35
4000K (cool white)	40

DIMMING / CONTROL / INPUT

1% Dimming, 0-10V Control, 120V or 277V "Universal Input" (Driver External)	1_10V_UNV
Low Voltage (Driver required, driver not included)	LV

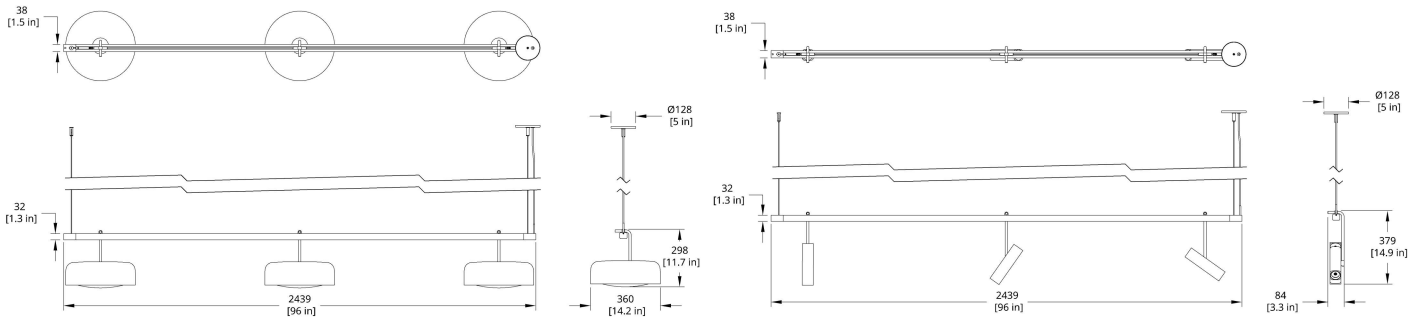
DRAWINGS

HL Highline 8' 3 Head (Cone Light Pendant)



HL Highline 8' 3 Head (Cone Light Pendant w. Felt Shade)

HL Highline 8' 3 Head (Spotlight)



Highline 3 Head Types

