



**PERFORMANCE**

Delivered Lumens 967.4 lm  
 Power Consumption 10W  
 Luminous Efficacy 96.3 lm/W  
 90 CRI  
 Full detail in [photometry summary](#)

**CERTIFICATION**

UL Listed  
 UL Listed to Canadian safety standards.

**LED LIFESPAN**

50k hours

**PATENT FILE NUMBER**

US: D1070156, CA: 221378, 221381, EU:  
 015020953-0001, 015020953-0002, 015020953-  
 0003, 015020953-0004

**SPECIFICATION LOGIC**

**HEAD ONE**

- Cone Light Pendant 1
- Cone Light Pendant w. Felt Shade 2
- Spotlight 3

**HEAD TWO**

- Cone Light Pendant 1
- Cone Light Pendant w. Felt Shade 2
- Spotlight 3

**UPLIGHT**

- Uplight U
- No uplight N

**COLOR TEMPERATURE**

- 2700K (warm white) 27
- 3000K (soft white) 30
- 3500K (neutral white) 35
- 4000K (cool white) 40

**DIMMING / CONTROL / INPUT**

- 1% Dimming, 0-10V Control, 120V or 277V "Universal Input" (Driver External) 1\_10V\_UNV
- Low Voltage (Driver required, driver not included) LV

# Highline 4' (2 head)

Pendants

**YOUR PRODUCT CODE**

HL-42- [ ] - [ ] - [ ] - [ ] - [ ] - [ ]  
 [ ] - [ ]

**DESCRIPTION**

Highline's slim, suspended beam pairs with three distinct fixture options. Choose the sleekness of the cone pendant, the versatile dual-axis swivel of a spotlight, or the warmth of the felt shade made from 90% post-consumer fibers. Pair with a linear uplight that casts a diffuse glow.

**MATERIALS**

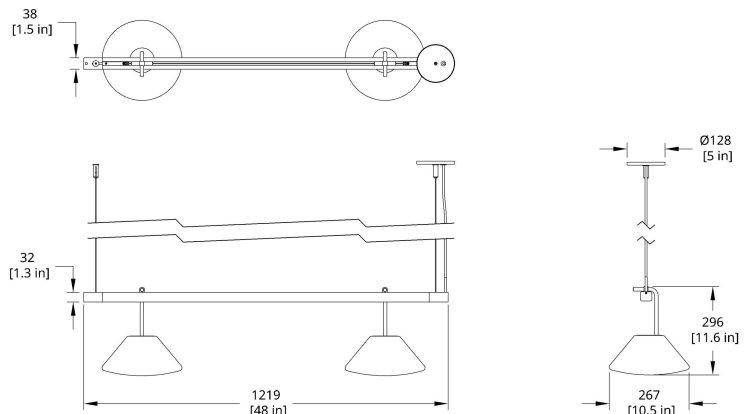
PET Plastic, Anodized Aluminum, Molded Felt.

**PRODUCT DIMENSIONS**

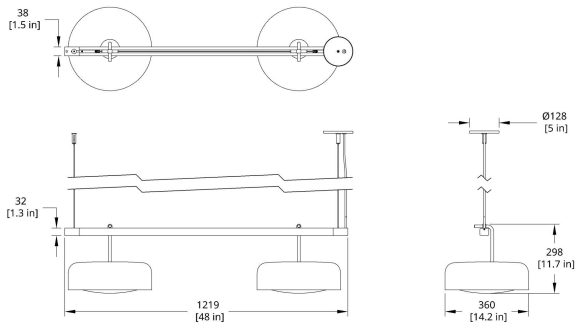
Dimensions vary for this Product. Please refer to Downloads for dimensions.

**DRAWINGS**

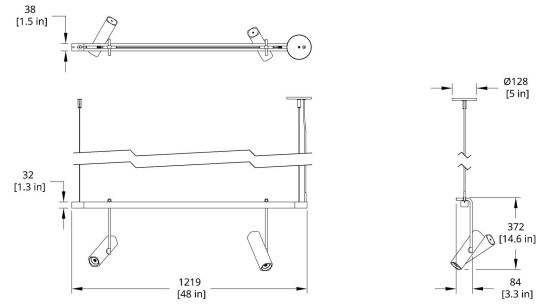
HL Highline 4' 2 Head (Cone Light Pendant)



HL Highline 4' 2 Head (Cone Light Pendant w. Felt Shade)



HL Highline 4' 2 Head (Spotlight)



Highline 3 Head Types

