



PERFORMANCE
640 lumens (estimated)

PATENT FILE NUMBER
EU: 015110995-0003, 015110995-0004

CERTIFICATION
ADA Compliant
Suitable for Damp Locations
IP44
IP65

LED LIFESPAN
50k hours

SPECIFICATION LOGIC

GLASS FINISH

White Interior	S1
Smoked	S2
Amber	S3
Frosted	S4

BACKPLATE FINISH

Smooth Black	PC53
Natural	PC92

COLOR TEMPERATURE

2200K (candle light)	22
2700K (warm white)	27
3000K (soft white)	30
3500K (neutral white)	35

DIMMING / CONTROL / INPUT

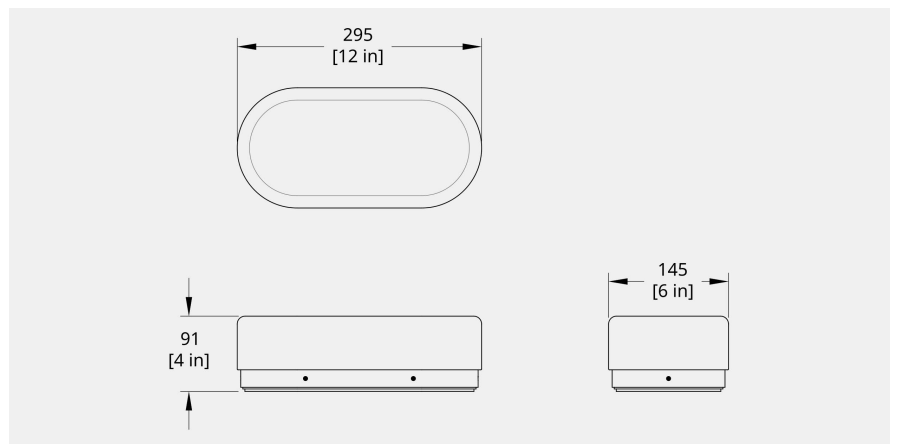
0.1% Dimming, 0-10V Control, 120V or 277V "Universal Input" (Driver External)	0.1_10V_UNV
1% Dimming, 0-10V Control, 120V or 277V "Universal Input" (Driver External)	1_10V_UNV
1% Dimming, TRIAC / Forward Phase Control, 120V Input (Driver External)	1_TRIAC_120V
10% Dimming, TRIAC / Forward Phase Control, 120V Input	10_TRIAC_120V
Low Voltage (Driver required, driver not included)	LV

IP RATING

IP 65	IP65
-------	------

DRAWINGS

Dimple Dash dimensional drawing



Dimple Dash

Sconces

YOUR PRODUCT CODE

DP-D-WS- - - - -
- - - -

DESCRIPTION

A sleek evolution of RBW's beloved Dimple, Dimple Dash flexes the soft, domed glass design you know into a linear masterpiece. Originally created in collaboration with Ace Atelier, this elongated iteration brings new possibilities to a familiar favorite. Whether installed in perfect alignment or staggered for a playful twist, Dimple Dash strikes the balance between understated simplicity and striking presence.

MATERIALS

Cast solid glass, aluminum

PRODUCT DIMENSIONS

12 in L x 6 in W x 4 in D

PRODUCT WEIGHT

8lbs / 3.6kg