



Crepe Sconce

Sconces

YOUR PRODUCT CODE

CRP-WS- - - - -
 - -

DESCRIPTION

Crafted entirely from glass, the Crepe collection creates a mesmerizing depth of light and form with a layered diffuser and shade. This collection is created in collaboration with Little Wing Lee of Studio & Projects.

MATERIALS

Cast solid glass, aluminum

COLLECTION NOTES

Crepe Small 9" & Medium 15" are ADA compliant, while Large 19" is not. Each form of cast glass is unique. We review each to ensure they conform to ASTM standards, which includes the presence of small air bubbles within the glass.

PRODUCT DIMENSIONS

Small: 7.5 in W x 8.8 in H x 3.4 in D | Medium: 12.6 in W x 14.9 in H x 3.4 in D | Large: 15.7 in W x 18.6 in H x 4.9 in D

PRODUCT WEIGHT

Small 9": 3.5lbs | Medium 15": 4.9lbs | Large 19": 7.2lbs

PERFORMANCE

Delivered Lumens 623.1 lm (DC) | 486.3 lm (AC)
 Power Consumption 7.1W (DC) | 8W (AC)
 Luminous Efficacy 87.8 lm/W (DC) | 61.1 lm/W (AC)
 90+ CRI
 Above stats are based on small globes on Frosted glass plate (applicable for Crepe Small 9" & Crepe Medium 15") in 2700K
 Full detail in [photometry summary](#)

CERTIFICATION

ADA Compliant
 UL Listed
 UL Listed to Canadian safety standards.
 Suitable for Damp Locations
 IP20

LED LIFESPAN

50k hr

PATENT FILE NUMBER

US: Patent Pending, AU: 202416521, 202416522, 202416523, EU: DM/240138

SPECIFICATION LOGIC

SIZE

| | |
|------------|----|
| Small 9" | 9 |
| Medium 15" | 15 |
| Large 19" | 19 |

GLASS FINISH

| | |
|-------------|-----|
| Blush | S17 |
| Frosted | S22 |
| Chrome | S25 |
| Julep Green | S26 |
| Bronze | S27 |

COLOR TEMPERATURE

| | |
|-----------------------|----|
| 2700K (warm white) | 27 |
| 3000K (soft white) | 30 |
| 3500K (neutral white) | 35 |

DIMMING / CONTROL / INPUT

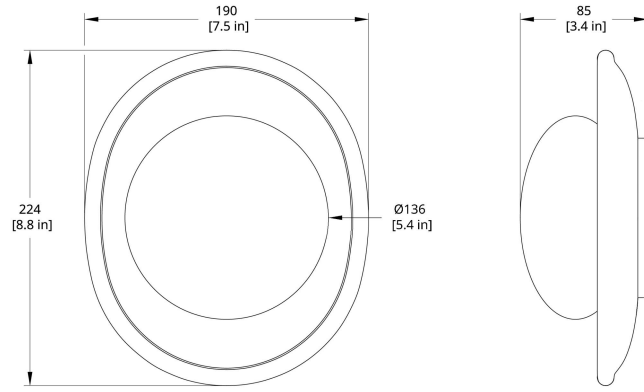
| | |
|---|---------------|
| 10% Dimming, TRIAC / Forward Phase Control, 120V Input | 10_TRIAC_120V |
| 1% Dimming, TRIAC / Forward Phase Control, 120V Input (Driver External) | 1_TRIAC_120V |
| 1% Dimming, 0-10V Control, 120V or 277V "Universal Input" (Driver External) | 1_10V_UNV |
| 0.1% Dimming, 0-10V Control, 120V or 277V "Universal Input" (Driver External) | 0.1_10V_UNV |
| Low Voltage (Driver required, driver not included) | LV |

IP RATING

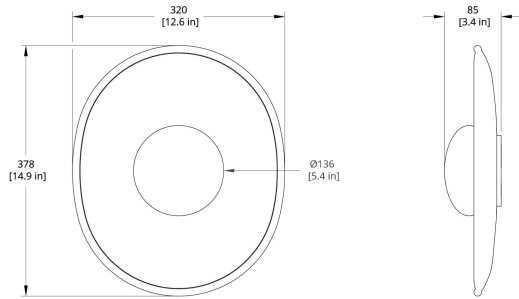
| | |
|-------|------|
| IP 20 | IP20 |
|-------|------|

DRAWINGS

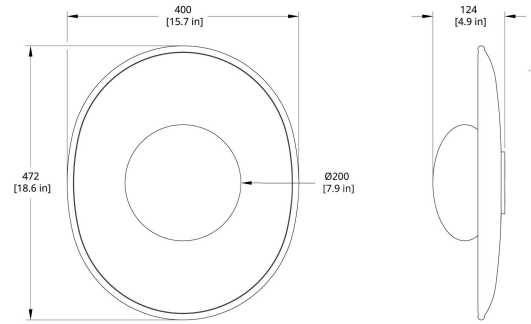
CP Crepe Small Dimensional Drawing



CP Crepe Medium Dimensional Drawing



CP Crepe Large Dimensional Drawing



Crepe Large exceeds 4" depth allowed per ADA compliance