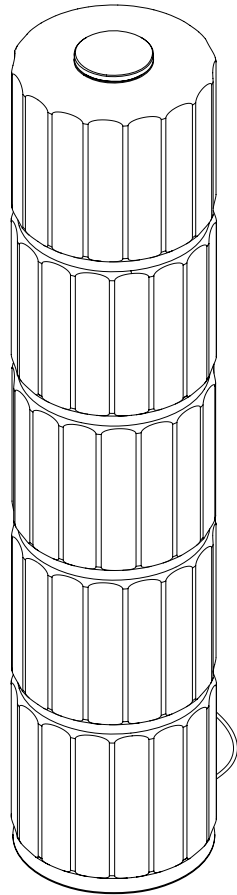


A—N—D

# COLUMN SERIES TABLE/FLOOR

DESIGNER  
LUKAS PEET



INSTRUCTIONS



SCAN HERE

NORTH AMERICA + WORLD

A-N-D.COM

# INSTALLATION NOTES

---

The luminaire is powered by a plug in LED driver.

For questions regarding installation, please email **[info@n-d.com](mailto:info@n-d.com)**



---

### **CARE INSTRUCTIONS**

Always wear clean gloves when handling the luminaire. Clean finished surfaces with a soft, lint-free cloth. Clean acrylic diffuser with a soft lint-free cloth and soap and water if necessary.

For replacement parts contact A-N-D directly.



---

### **WARNING**

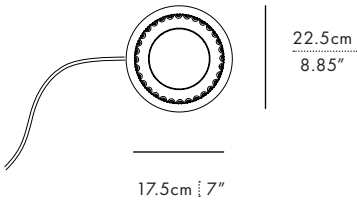
The luminaire must be installed by a qualified electrician in a dry indoor location.

Failure to meet any or all of these criteria will not only damage the luminaire, but will void both then warranty and all of its certifications.

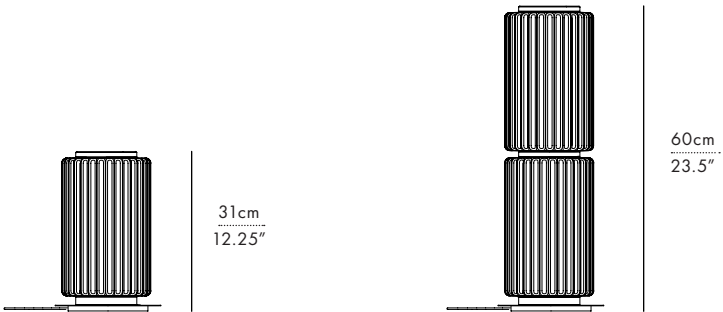
# COLUMN TABLE OPTIONS

---

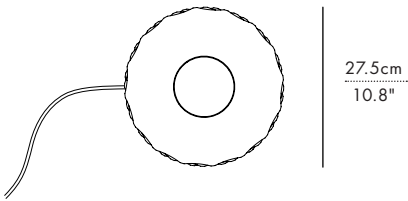
**TABLE 175-1**



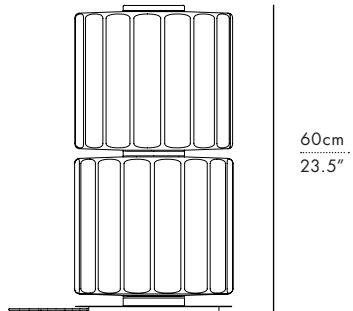
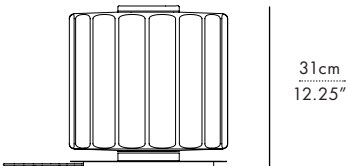
**TABLE 175-2**



**TABLE 300-1**



**TABLE 300-2**



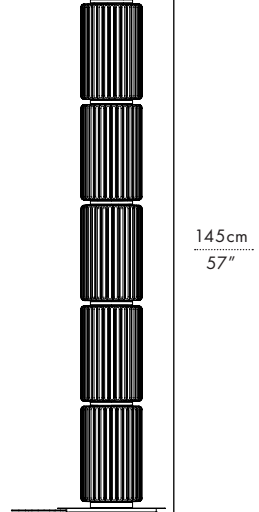
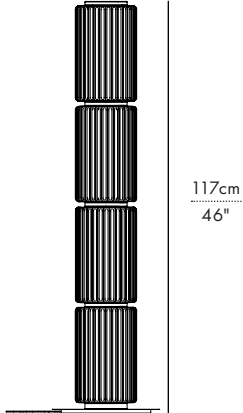
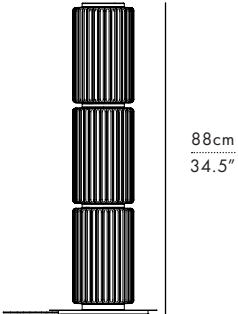
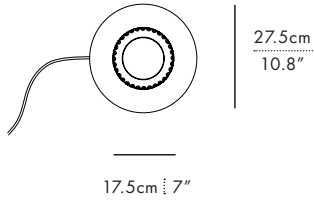
# COLUMN FLOOR OPTIONS

---

**FLOOR 175-3**

**FLOOR 175-4**

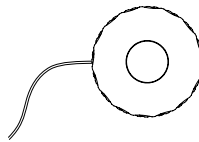
**FLOOR 175-5**



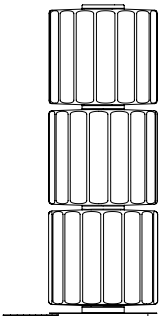
**FLOOR 300-3**

**FLOOR 300-4**

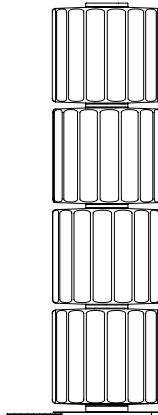
**FLOOR 300-5**



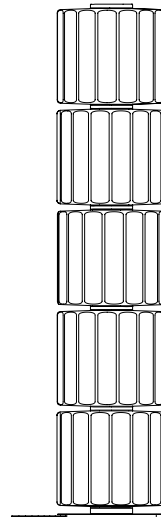
27.5cm  
10.8"



88cm  
34.5"



117cm  
46"

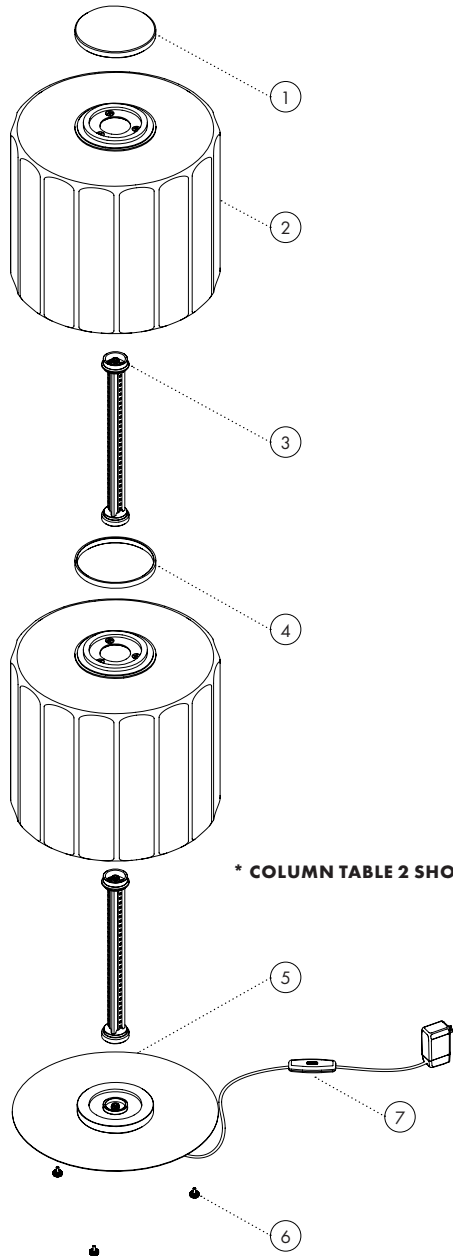


145cm  
57"

# COMPONENTS

- ① ENDCAP
- ② GLASS ASSEMBLY (1-5)
- ③ LED MODULE (1-5)
- ④ COLLAR (1-4)
- ⑤ BASE ASSEMBLY
- ⑥ ADJUSTABLE FEET\*
- ⑦ POWER CORD + PLUG IN DRIVER + DIMMER

\*FLOOR VERSION ONLY



# PREPARATION

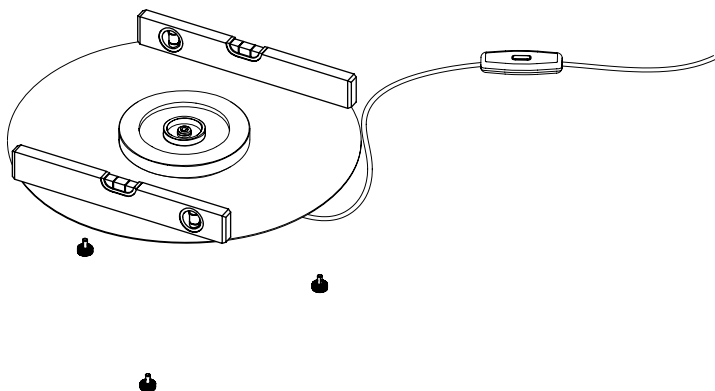


---

## FLOOR VERSION ONLY

Using a level, check that the base assembly is levelled to the ground.

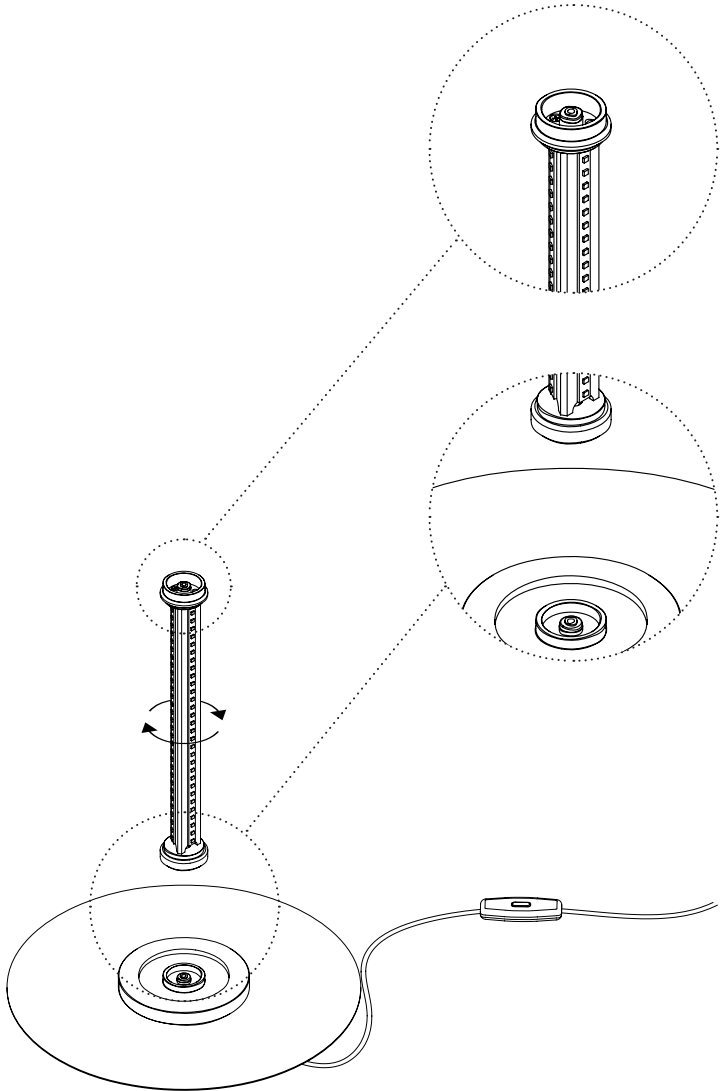
If necessary, install the provided adjustable feet to level the base.



# INSTALLATION

## STEP 1

Thread the first LED module on the base assembly.

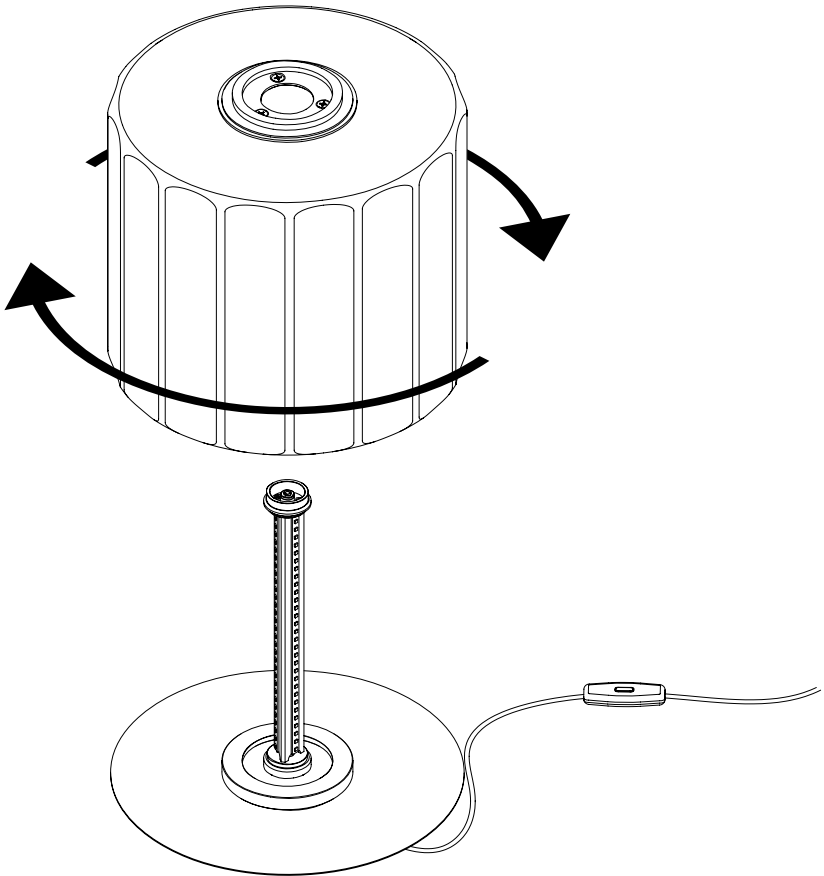


## STEP 2

Place the first glass over the LED module and secure it to the base assembly by threading it clockwise.

### **Attention!**

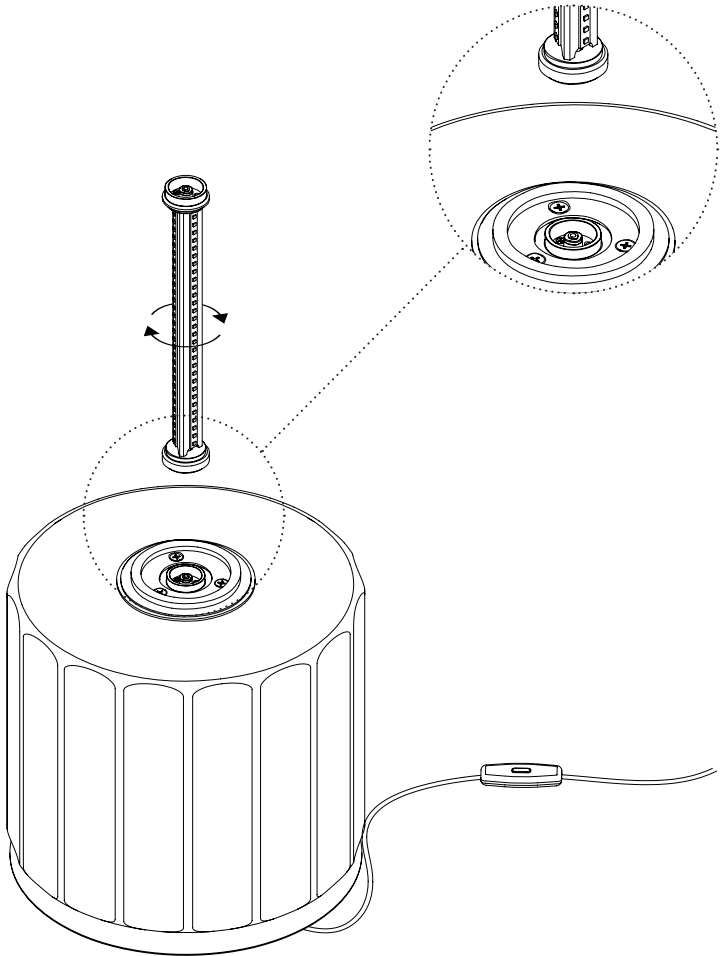
Remove rings/jewelry from fingers to prevent damage during this step.



# INSTALLATION

## STEP 3

Thread the second LED module onto the first LED module.



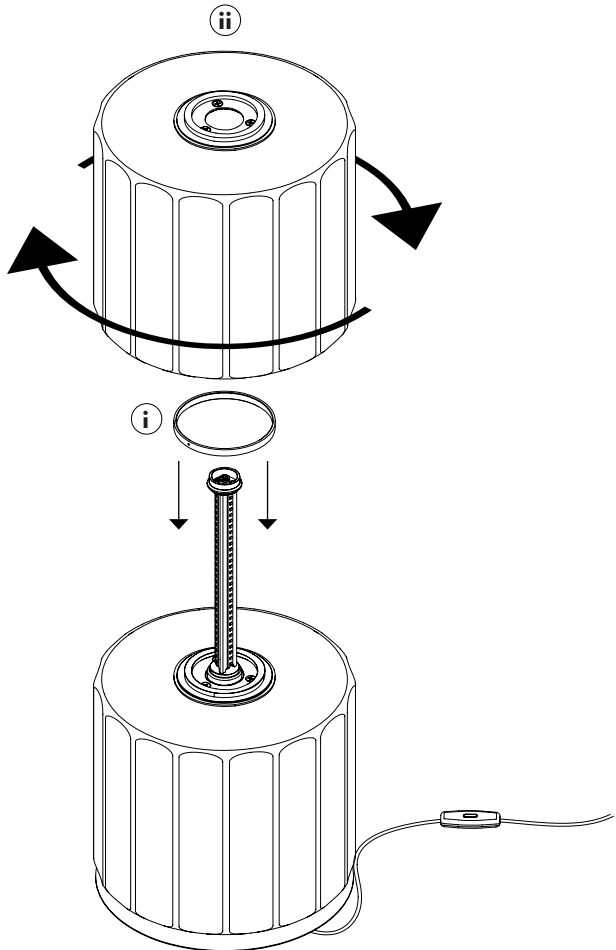
## STEP 4

**i)** Place the collar in the centre of the first LED module.

**ii)** Thread the second glass assembly onto the first one.

### **Caution!**

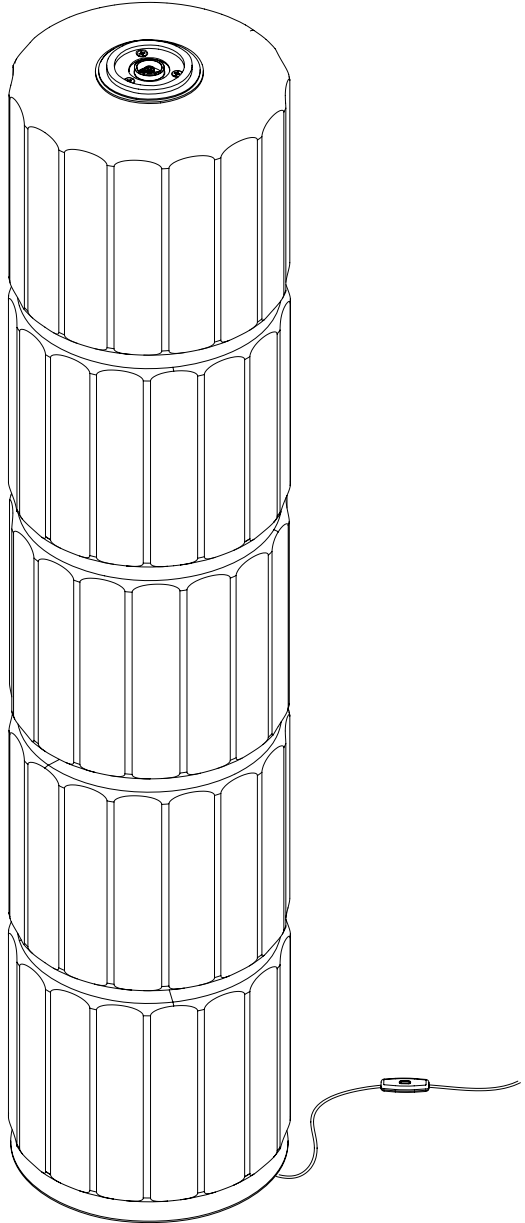
Ensure the collar is centered while tightening the glass. To avoid damage, do not overtighten glass.



# INSTALLATION

---

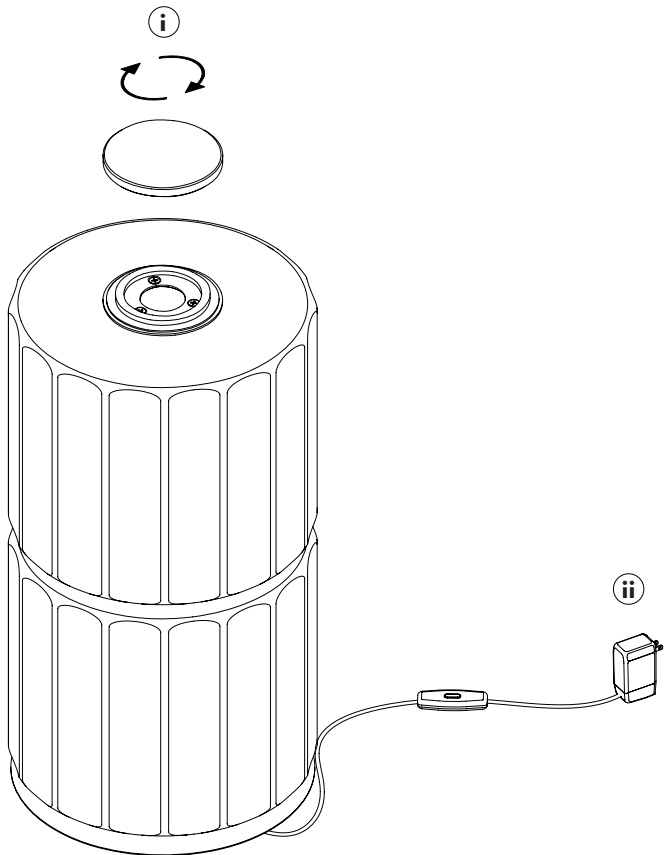
Repeat **STEP 3** and **STEP 4**  
for all/any remaining glass  
assemblies.



---

## STEP 6

- i) Thread the endcap onto the top glass assembly.
  
- ii) Plug in the Column Table/Floor.  
Press and hold the dimmer switch to reach the desired light output.



# A—N—D

For support, please contact:

[info@a-n-d.com](mailto:info@a-n-d.com)

+1 604 563 6938



1951 Franklin St,  
Vancouver, BC  
Canada V5L 0C7

**A-N-D.COM**