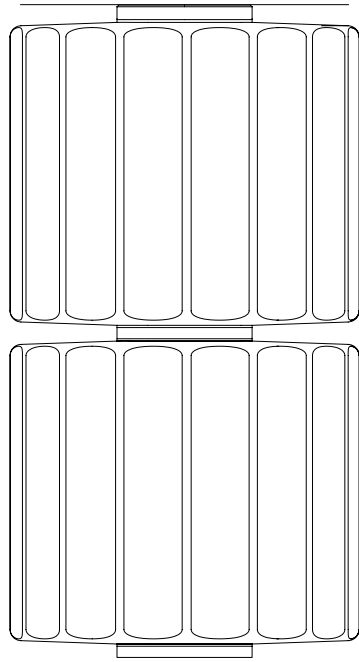


A—N—D

COLUMN SERIES CEILING

DESIGNER
LUKAS PEET



INSTRUCTIONS



SCAN HERE

WORLD MARKET



A-N-D.COM

INSTALLATION NOTES

The luminaire is powered by 24V DC. A constant voltage LED driver is required to operate the luminaire. The LED driver varies, depending on input voltage and dimming requirements.

It is recommended that two people install the Column Pendant: one to gently support the luminaire while the other makes the electrical and mechanical connections to the ceiling.

For questions regarding installation, please email info@a-n-d.com



CARE INSTRUCTIONS

Always wear clean gloves when handling the luminaire. Clean finished surfaces with a soft, lint-free cloth. Clean acrylic diffuser with a soft lint-free cloth and a diluted solution of dish soap in warm water.

For replacement parts contact A-N-D directly.



WARNING

The luminaire must be installed by a qualified electrician in a dry indoor location.

Failure to meet any or all of these criteria will not only damage the luminaire, but will void both the warranty and all of its certifications.

LED DRIVER OPTIONS



The Column Ceiling LED driver varies depending on dimming requirements and input voltage.

Use the ordering code to determine the driver selected:

ie. COL-175-1-CW-V-CBN-27-010-277

DIMMING ----- INPUT VOLTAGE

PHASE CUT DIMMING (PC)

M28 SERIES - ES POWER

INPUT: 230VAC

OUTPUT: 24VDC, 24W

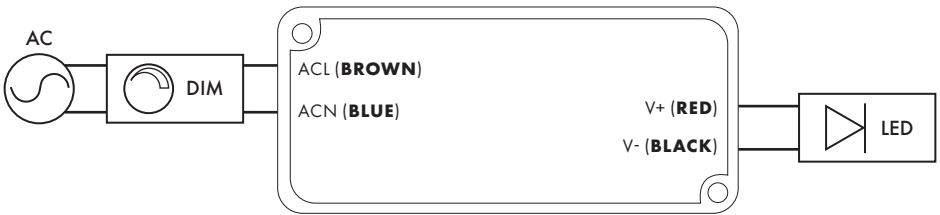
L x W x H: 89 x 42 x 31

M30-P SERIES - ES POWER

INPUT: 230VAC

OUTPUT: 24VDC, 40W

L x W x H: 107 x 42 x 31



0-10 + PWM DIMMING (010)

Q22-P SERIES - ES POWER

INPUT: 110-277VAC

OUTPUT: 24VDC, 22W

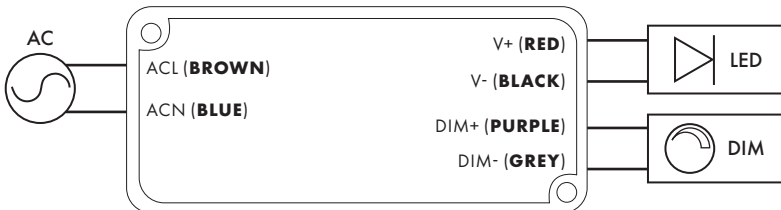
L x W x H: 89 x 42 x 31

Q40-P SERIES - ES POWER

INPUT: 110-277VAC

OUTPUT: 24VDC, 40W

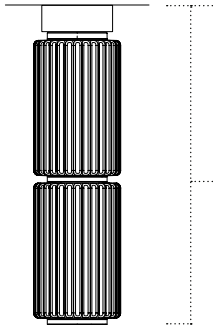
L x W x H: 107 x 42 x 31



COLUMN 175 CEILING OPTIONS

Ø15.2cm 6"

OPTION 1



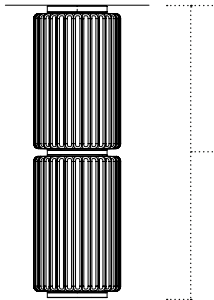
CEILING 1

LENGTH: 35cm / 13.7"
WEIGHT: 12.5 lbs / 5.7 kg

CEILING 2

LENGTH: 64cm / 25.2"
WEIGHT: 17.1 lbs / 7.8 kg

OPTION 2



CEILING 1

LENGTH: 30cm / 11.8"
WEIGHT: 12.5 lbs / 5.7 kg

CEILING 2

LENGTH: 59cm / 23.2"
WEIGHT: 17.1 lbs / 7.8 kg



Ø 17.5cm 7"

There are two installation options:

OPTION 1 - P. 6

Surface Mount: The luminaire is installed on a canopy that is mounted on the junction box.

OPTION 2 - P. 14

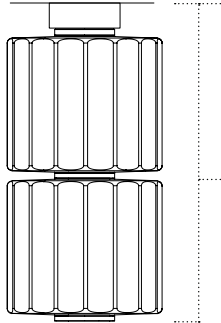
Flush Mount: The luminaire mounts directly to the wall or ceiling surface. It will require a remote driver

COLUMN 300 CEILING OPTIONS



Ø15.2cm / 6"

OPTION 1



CEILING 1

LENGTH: 35cm / 13.7"

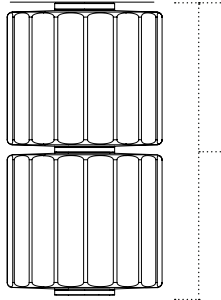
WEIGHT: 12.5 lbs / 5.7 kg

CEILING 2

LENGTH: 64cm / 25.2"

WEIGHT: 17.1 lbs / 7.8 kg

OPTION 2



CEILING 1

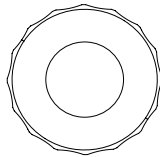
LENGTH: 30cm / 11.8"

WEIGHT: 12.5 lbs / 5.7 kg

CEILING 2

LENGTH: 59cm / 23.2"

WEIGHT: 17.1 lbs / 7.8 kg

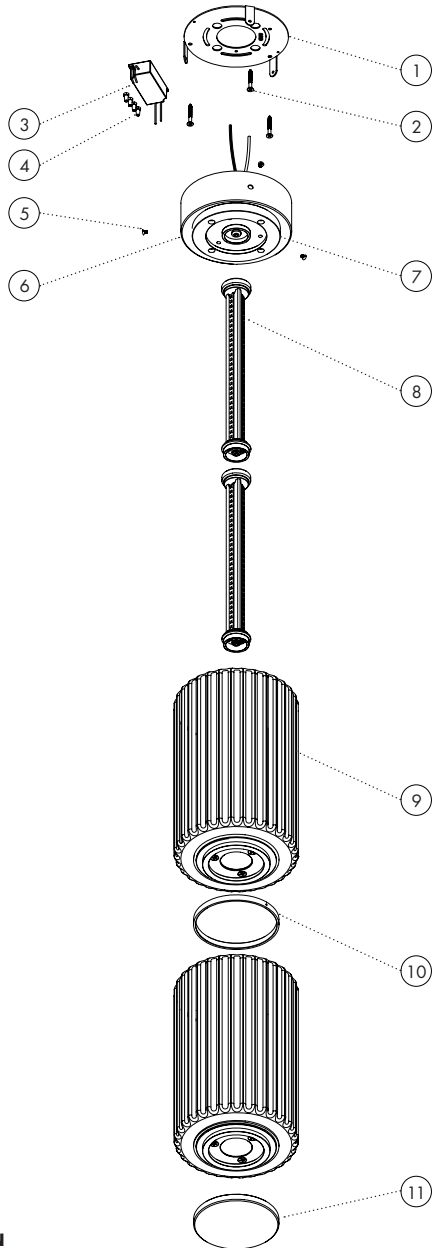


Ø27.5cm / 10.8"

COMPONENTS – OPTION 1

SURFACE MOUNT

- ① BACKPLATE
- ② #8 SCREW (3)
- ③ LED DRIVER
- ④ TERMINAL (4)
- ⑤ CANOPY SCREW (3)
- ⑥ CANOPY
- ⑦ CEILING PUCK
- ⑧ LED MODULE (1-2)
- ⑨ GLASS (1-2)
- ⑩ COLLAR RING (1)
- ⑪ ENDCAP



* COLUMN 175 CEILING 2 MODEL SHOWN

INSTALLATION – OPTION 1



SURFACE MOUNT

For the Surface Mount option, the luminaire mounts on a canopy previously attached on the ceiling.

STEP 1

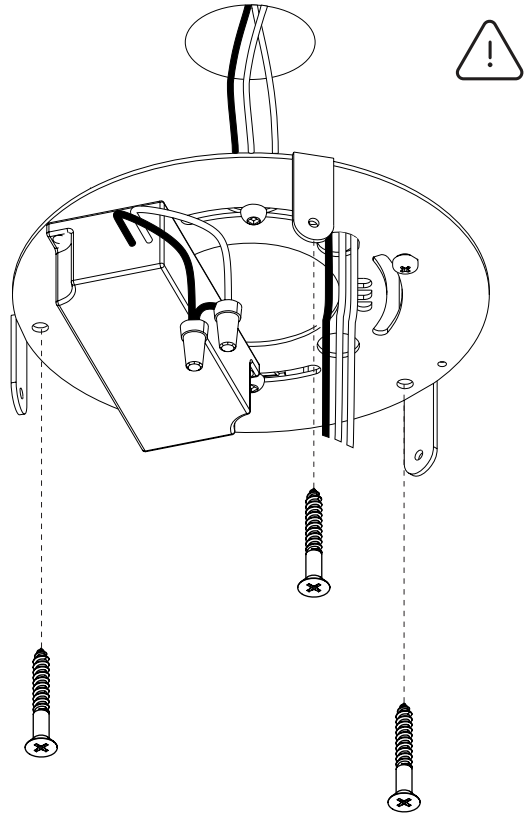
Mount the backplate to the ceiling.

Use the provided three #8 screws to secure the backplate on the ceiling.

Correct weight anchors are provided by installer.

⚠ Caution!

Ensure that the power is disconnected at the breaker.



REFER TO PAGE 4-5: FIXTURE WEIGHT FOR MORE DETAILS

INSTALLATION – OPTION 1

SURFACE MOUNT

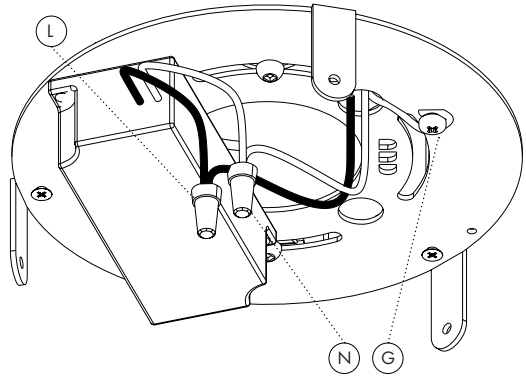
STEP 2

**Connect the primary circuit on the LED driver to input power.
Connect ground.**

Black/brown wire = **Line** (L)

White/blue wire = **Neutral** (N)

Green screw = **Ground** (G)



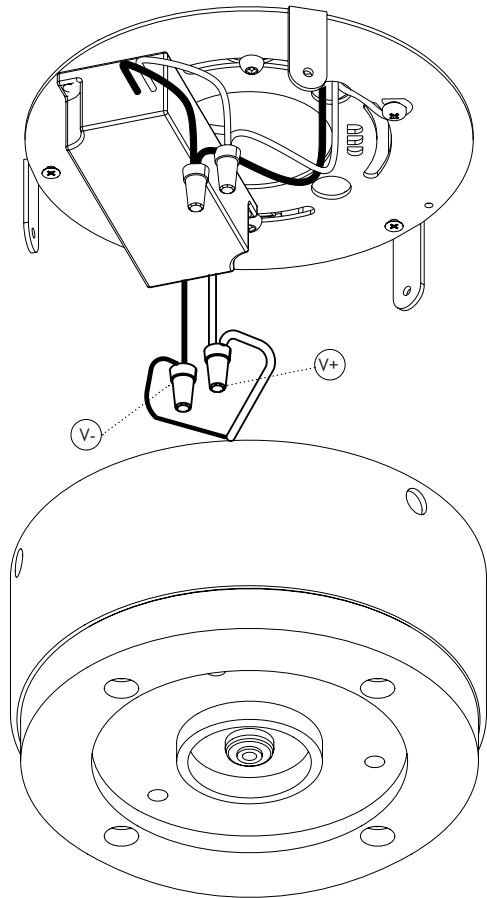
REFER TO PAGE 3: DRIVER OPTIONS FOR MORE DETAILS

STEP 3

Connect the luminaire to secondary circuit on LED driver.

Dashed line/red = **Positive** (V+)

Black = **Negative** (V-)

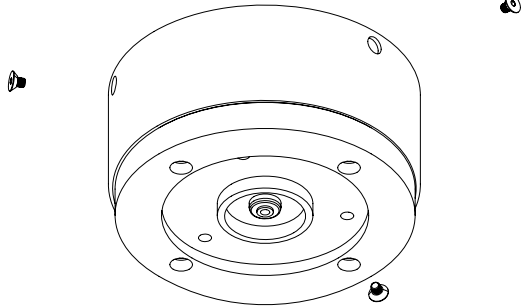


INSTALLATION - OPTION 1

SURFACE MOUNT

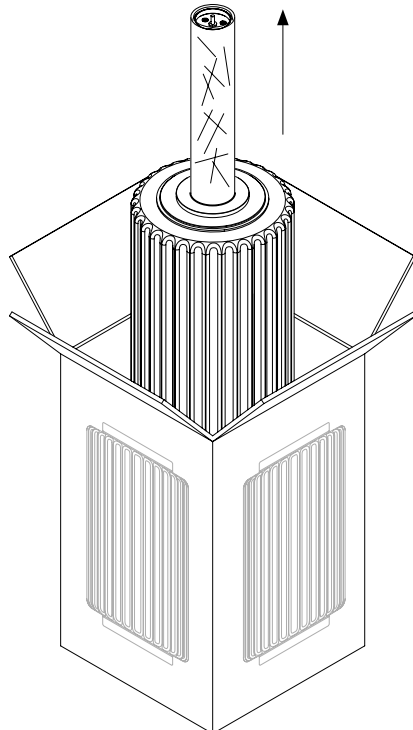
STEP 4

Using the provided canopy screws (3), attach the canopy to the backplate.



STEP 5

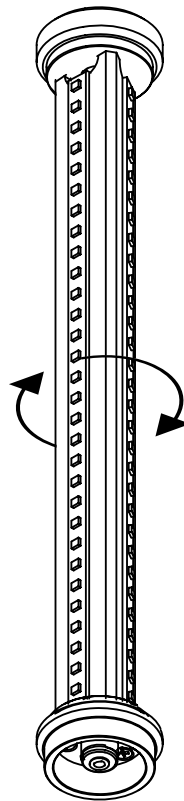
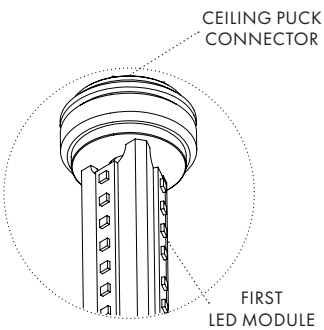
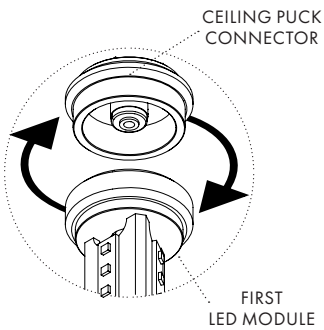
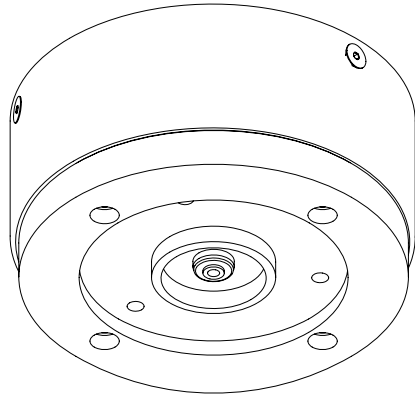
Remove the wrapped LED module from each glass box and set aside.



SURFACE MOUNT

STEP 6

Thread the first LED module on the ceiling puck.

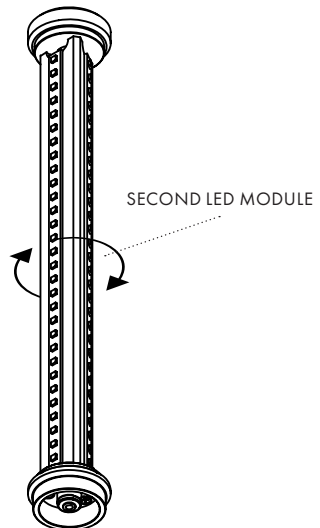
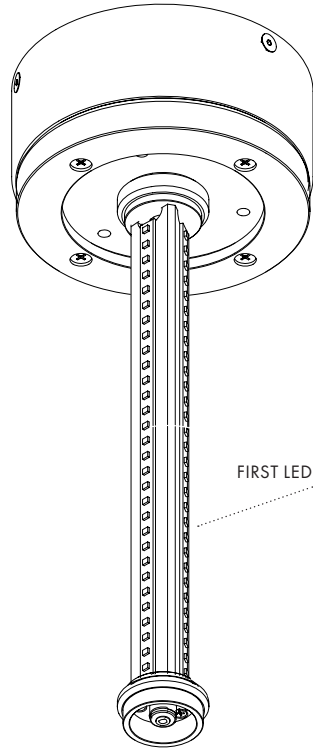
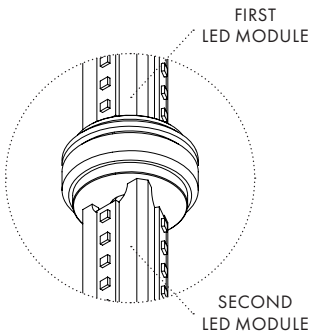
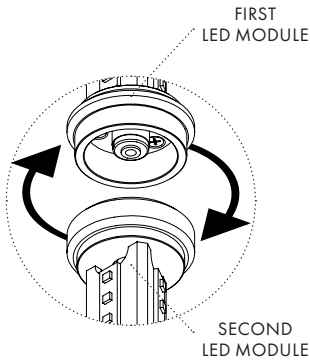


INSTALLATION – OPTION 1

SURFACE MOUNT

STEP 7

Thread the second LED module on the first one.



* COLUMN 175 CEILING 2 MODEL SHOWN

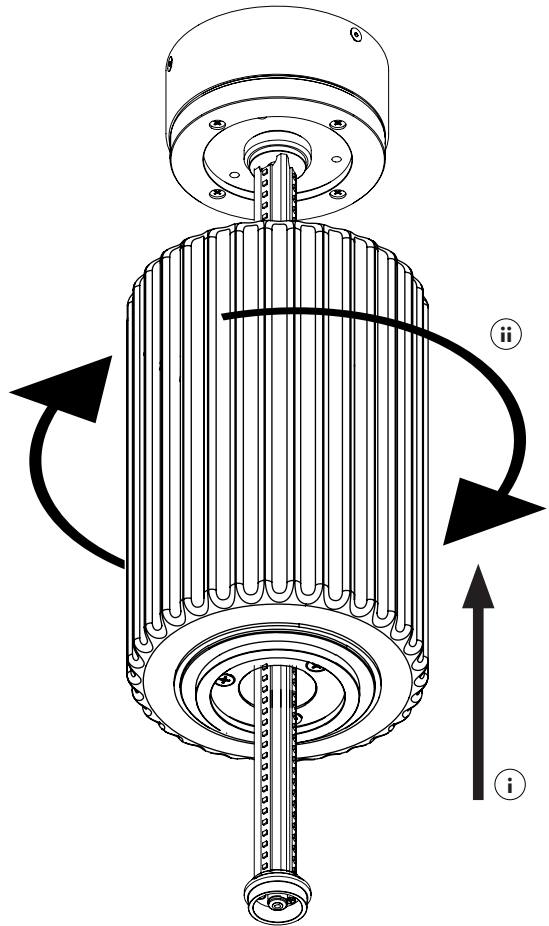
STEP 8

i) Feed the first glass through the LED modules.

ii) Thread the glass onto the ceiling puck by turning clockwise.

⚠ Attention!

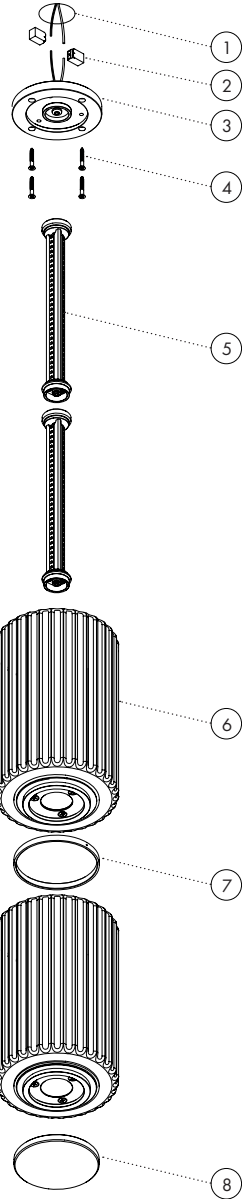
Remove rings/jewelry from fingers to prevent breakage during this step.



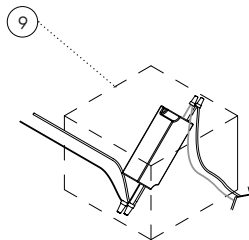
COMPONENTS – OPTION 2

FLUSH MOUNT *REMOTE DRIVER ONLY*

- ① LOW VOLTAGE JUMP WIRES (R+B)
- ② TERMINAL (2)
- ③ CEILING PUCK
- ④ #8 SCREW (3)
- ⑤ LED MODULE (1-2)
- ⑥ GLASS (1-2)
- ⑦ COLLAR RING (1)
- ⑧ ENDCAP
- ⑨ LED DRIVER (REMOTE)



* COLUMN 175 CEILING 2
MODEL SHOWN



INSTALLATION – OPTION 2



FLUSH MOUNT *REMOTE DRIVER ONLY*

For the Flush Mount option, the luminaire mounts directly onto the surface.

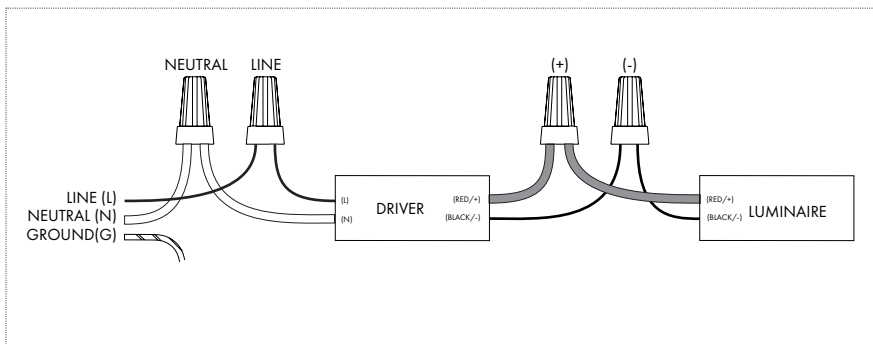
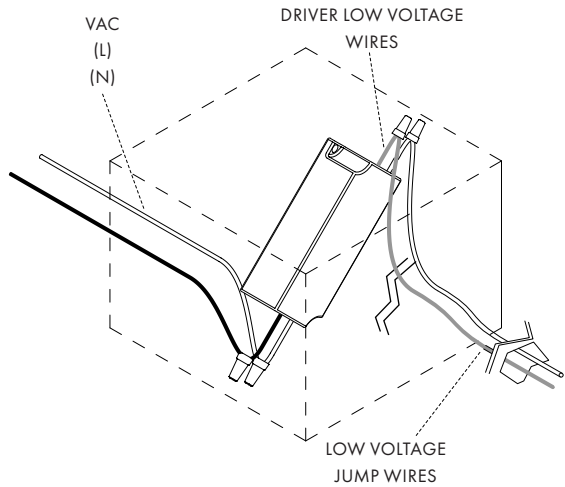
STEP 1

Ensure that power is disconnected and connect the input power to the primary circuit on the LED driver. Connect ground.

Black/brown wire = **Line** (L)

White/blue wire = **Neutral** (N)

Green screw = **Ground** (G)



INSTALLATION – OPTION 2

FLUSH MOUNT *REMOTE DRIVER ONLY*

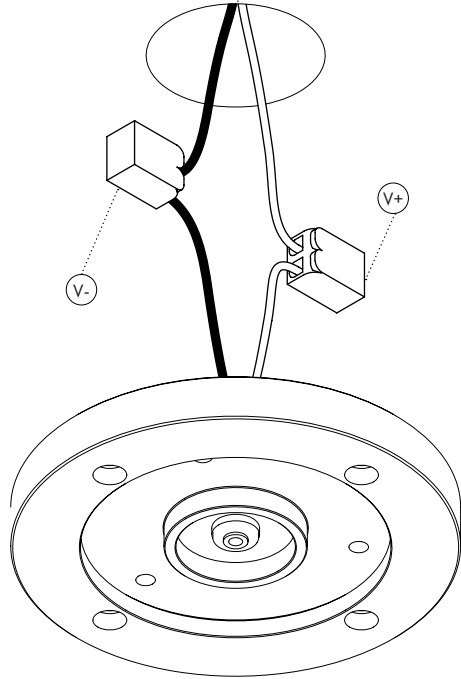
STEP 2

Connect the lead wires of the ceiling puck on the two jump wires.

Use the two provided terminals.

Red wire = **Positive** (V+)

Black wire = **Negative** (V-)

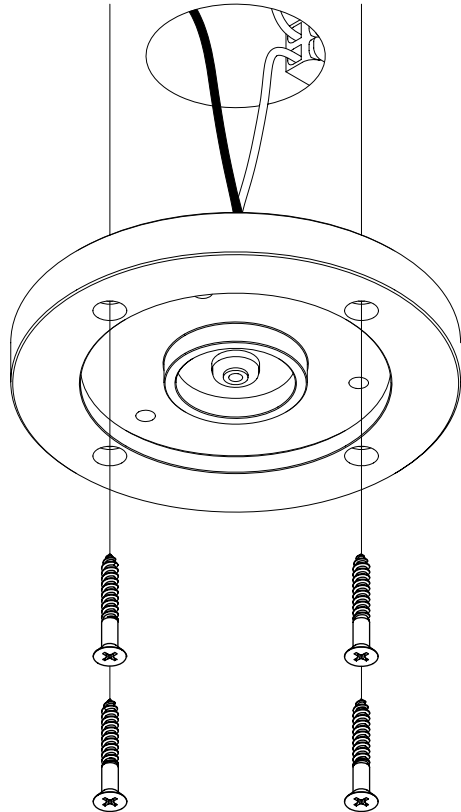


FLUSH MOUNT *REMOTE DRIVER ONLY*

STEP 3

Attach the light fixture to the wall.

Use the provided #8 screws.
 If required, a substrate specific anchor is to be provided by installer. Ex: drywall anchors.



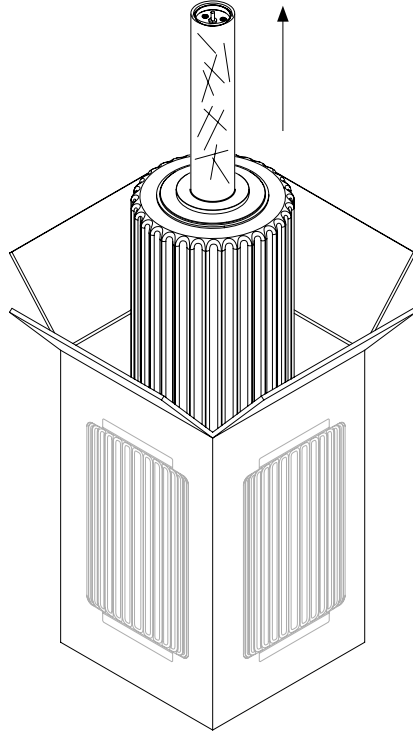
COMPONENTS – OPTION 2

FLUSH MOUNT *REMOTE DRIVER ONLY*

STEP 4

Remove the wrapped LED module from each glass box and set aside.

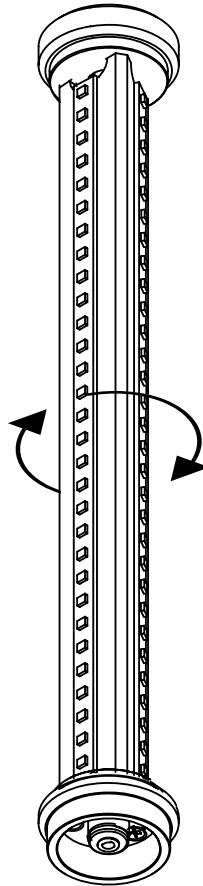
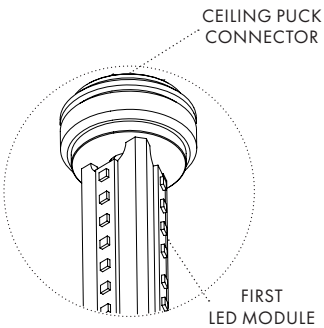
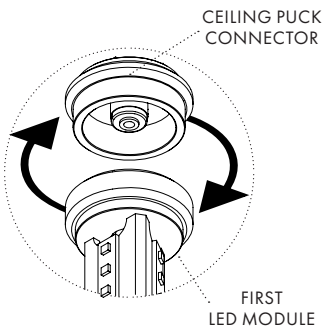
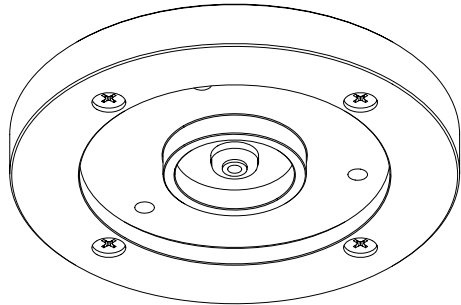
The separate box contains all the required hardware for assembly.



FLUSH MOUNT *REMOTE DRIVER ONLY*

STEP 5

Thread the first LED module on the ceiling puck.

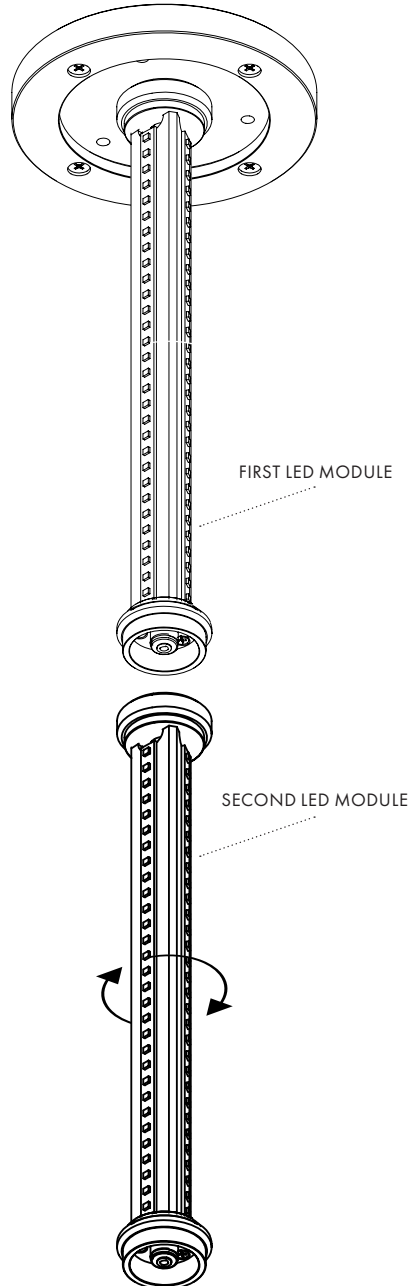
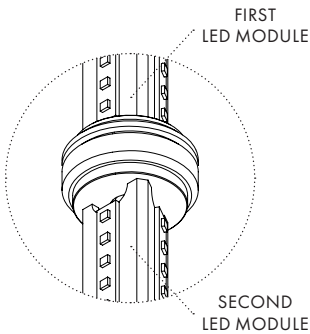
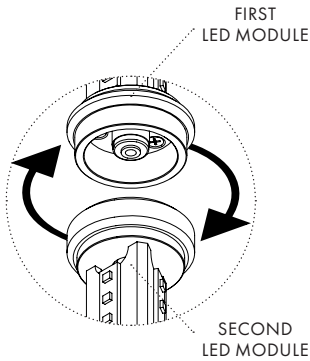


INSTALLATION - OPTION 2

FLUSH MOUNT *REMOTE DRIVER ONLY*

STEP 6

Thread the second LED module on the first one.



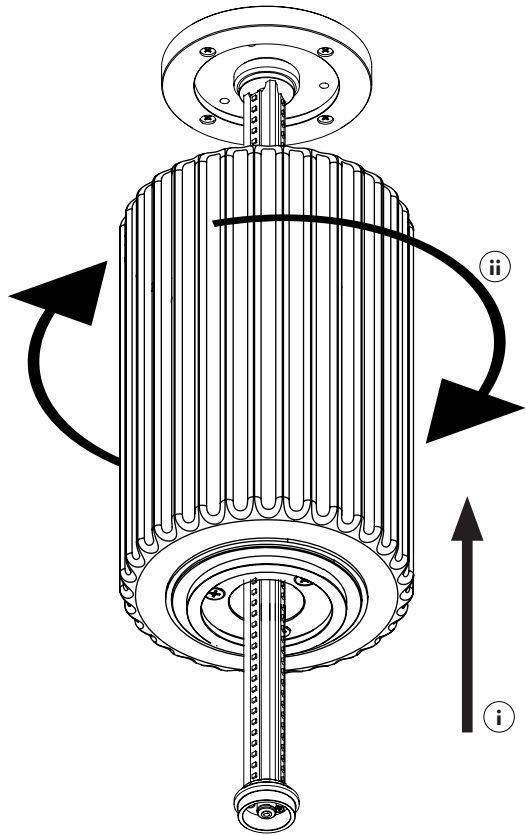
* COLUMN 175 CEILING 2 MODEL SHOWN

STEP 7

i) Feed the first glass through the LED modules.

ii) Thread the glass onto the ceiling puck by turning clockwise.

⚠ Attention!
Remove rings/jewelry from fingers to prevent breakage during this step.



* COLUMN 175 CEILING 2 MODEL SHOWN

INSTALLATION - OPTION 2

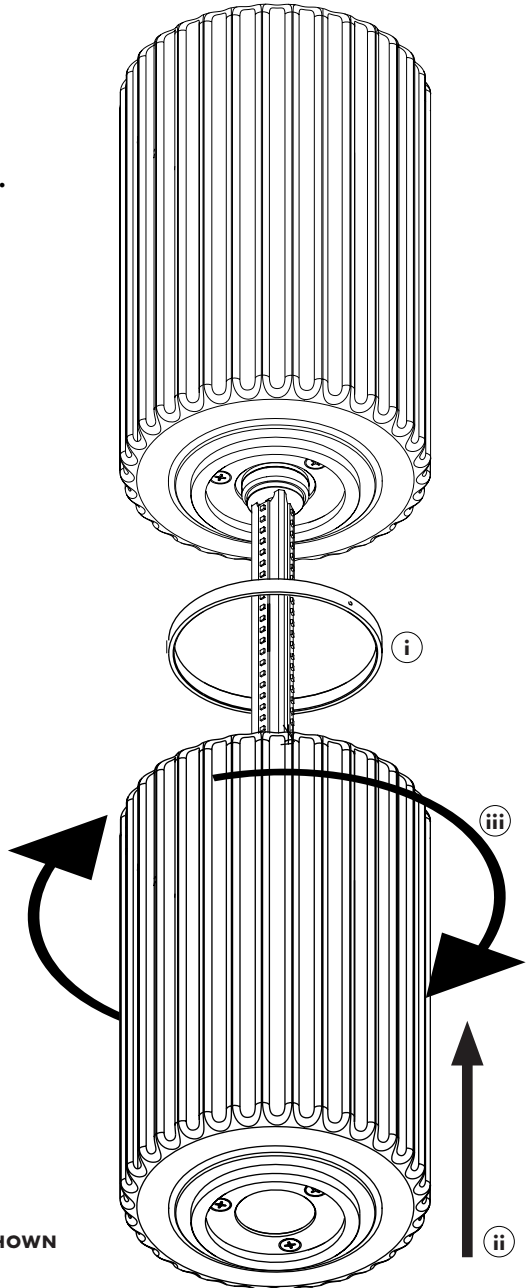
FLUSH MOUNT *REMOTE DRIVER ONLY*

STEP 8

- i) Place the collar centered to the bottom glass.
- ii) Feed the second glass through the second LED module.
- ii) Thread the glass onto the ceiling puck by turning clockwise.

⚠ Attention!

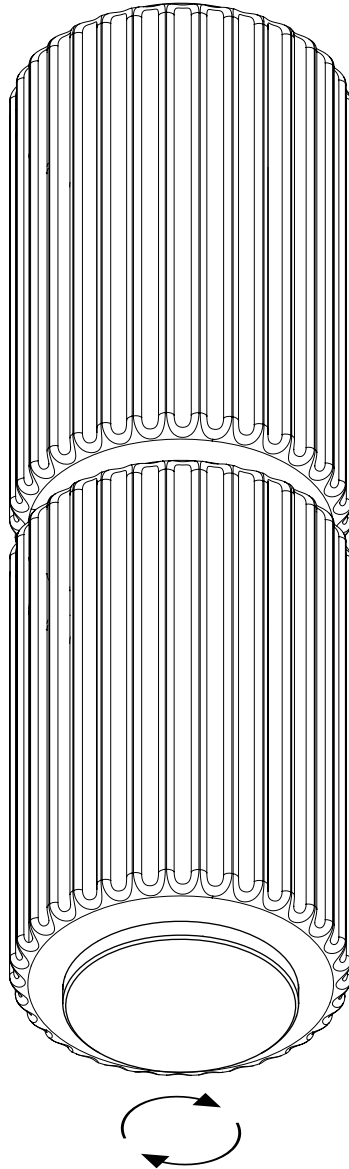
Remove rings/jewelry from fingers to prevent breakage during this step.



* COLUMN 175 CEILING 2 MODEL SHOWN

STEP 9

Thread the endcap on the bottom glass.



*** COLUMN 175 CEILING 2 MODEL SHOWN**

A—N—D

For support, please contact:

info@a-n-d.com

+1 604 563 6938



1951 Franklin St,
Vancouver, BC
Canada V5L 0C7

A-N-D.COM